



20-40A DIN Rail Redundancy Module



Industrial



Test

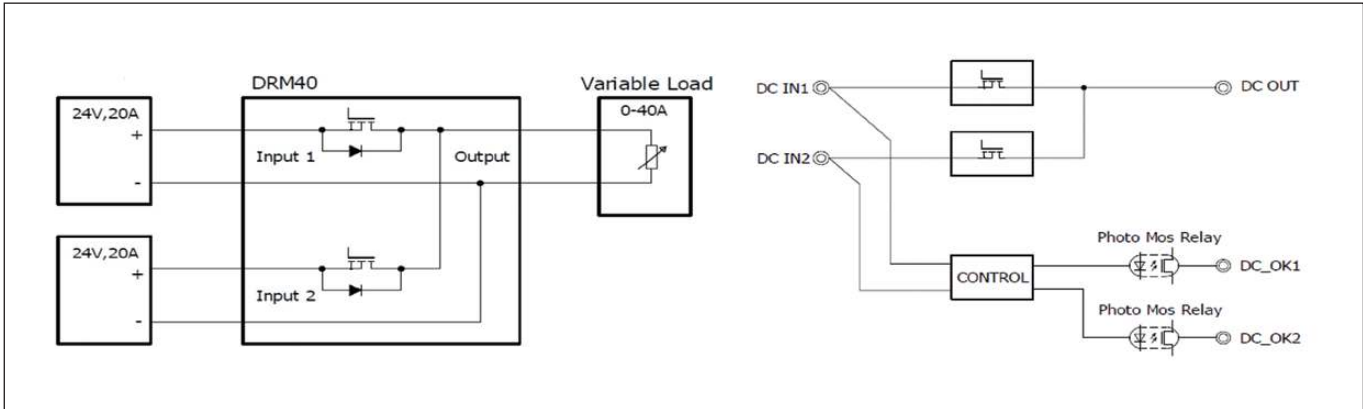
Features	Benefits
• Compact Size	• Consumes less space on the DIN rail
• Low 200mV Voltage Drop	• Reduced voltage drop and power loss
• Current Balance Indicator Option	• Easier to ensure load sharing
• Isolated Alarm Signals	• Enables remote fault monitoring



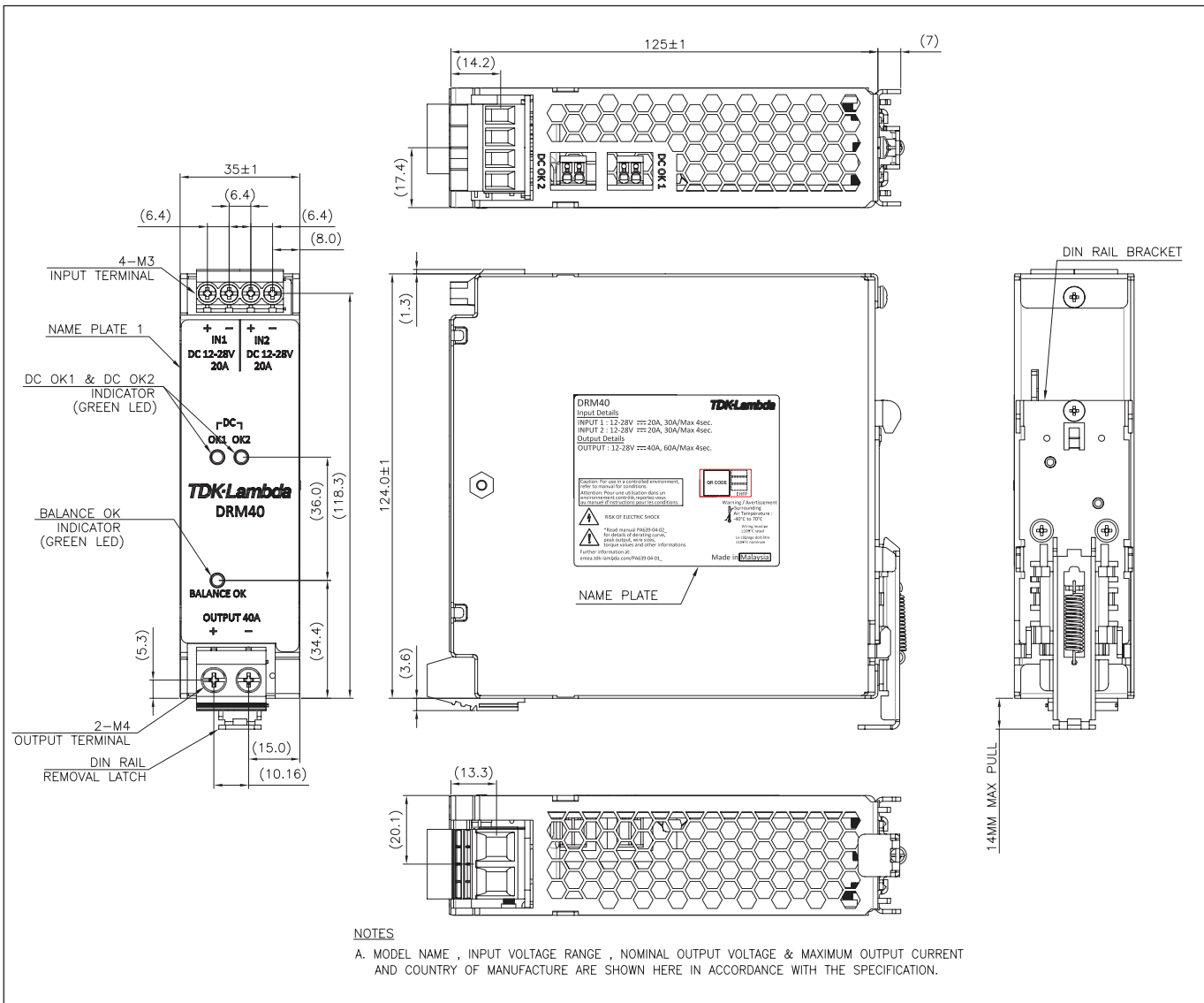
Specification		DRM40	DRM40B
Input Voltage Range	VDC	10 - 30VDC	
Number of inputs	-	Two	
Maximum Input Current	A	2 x 20A, total 60A peak	
Peak Input Current	A	2 x 30A for 4s maximum, 0.35 duty cycle	
Maximum Output Current	A	40A	
Internal Power Loss (typ)	W	8W at 40A	
Input to Output Voltage Drop	VDC	0.2V at 40A	
Maximum Reverse Voltage	VDC	40VDC	
Overcurrent protection	-	None	
Overvoltage protection	-	None	
Operating Temperature	°C	-40 to +70°C standard mounting orientation	
Storage Temperature	°C	-40 to +85°C	
Humidity	%RH	5 - 95%RH operating and storage (non condensing)	
Cooling	-	Convection	
Output Good Indicators	-	Two green LEDs indicating each input is "good"	None
Current Balance Indicators	-	Green LED indicates balanced current	None
Input Voltage Alarms	-	Opto-isolated relays are off when input is below threshold	None
Withstand Voltage	VDC	Input or Output - Chassis 707VDC for 1 minute	
Isolation Resistance	MΩ	Input or Output - Chassis >100MΩ at 25°C, 70%RH and 500VDC	
Vibration	-	None operating, 10 - 55Hz (sweep for 1min), 19.6m/s ² (2G) Constant, X, Y, Z 1hour each	
Shock	-	<196m/s ² (20G)	
Safety Agency Approval	-	IEC/EN/UL60950-1, IEC/EN/UL62368-1, UL508, CE Mark	
Size W x D x H)	mm	35 x 125 x 124	
Weight	g	330	
Warranty	Yrs	5	

Note: See Installation Manual for full details, test methods of parameters and application notes

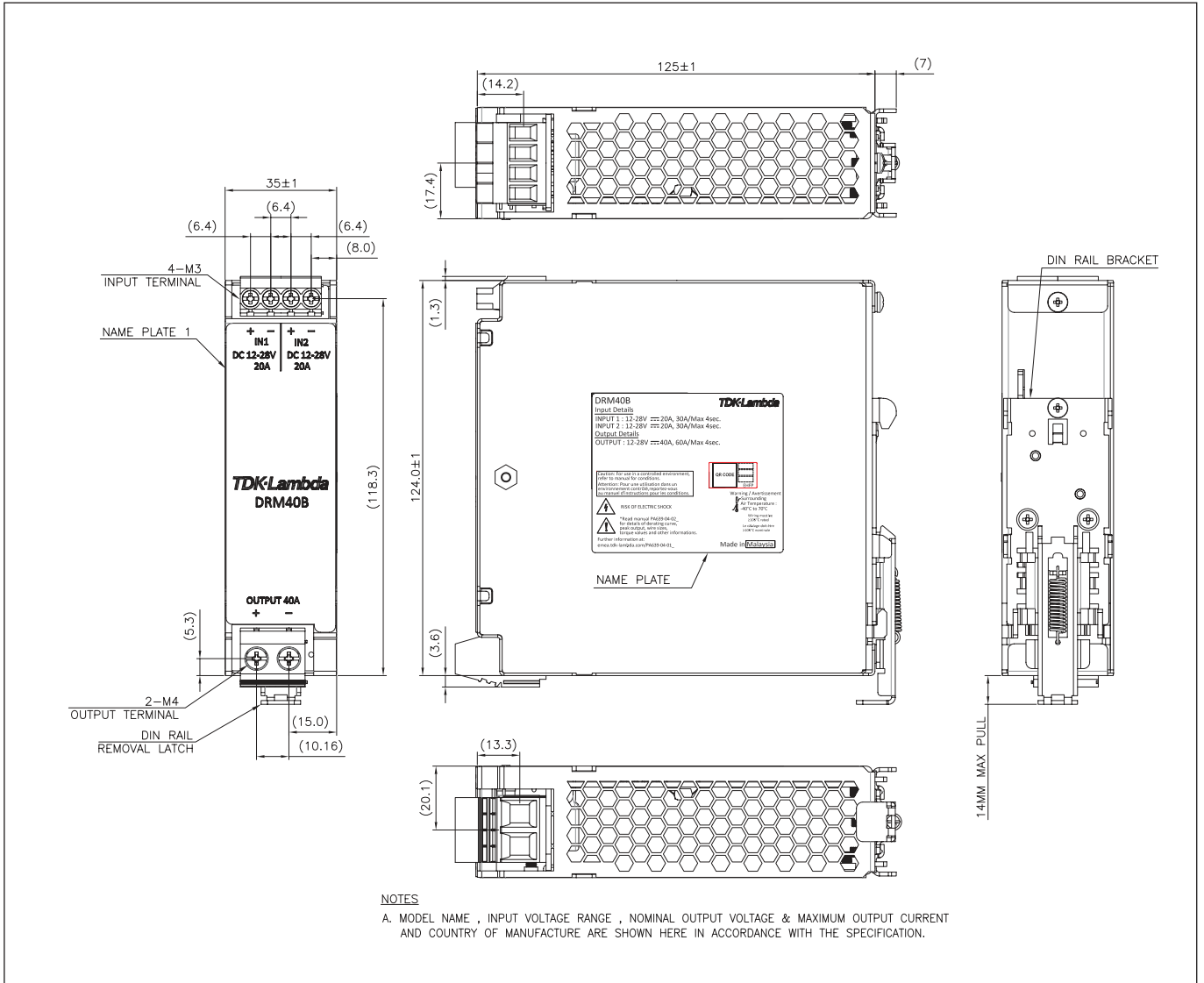
Block Diagrams DRM40 Series



Outline Drawing DRM40 Series



Outline Drawing DRM40B Series



NOTES
A. MODEL NAME, INPUT VOLTAGE RANGE, NOMINAL OUTPUT VOLTAGE & MAXIMUM OUTPUT CURRENT AND COUNTRY OF MANUFACTURE ARE SHOWN HERE IN ACCORDANCE WITH THE SPECIFICATION.



TDK-Lambda France SAS

3 Avenue du Canada
Parc Technopolis
Bâtiment Sigma
91940 les Ulis
France
Tel: +33 1 60 12 71 65
Fax: +33 1 60 12 71 66
france@fr.tdk-lambda.com
www.fr.tdk-lambda.com



Italy Sales Office

Via Giacomo Matteotti 62
20092 Cinisello Balsamo (MI)
Italy
Tel: +39 02 61 29 38 63
Fax: +39 02 61 29 09 00
info.italia@it.tdk-lambda.com
www.it.tdk-lambda.com



Netherlands

info@nl.tdk-lambda.com
www.nl.tdk-lambda.com



TDK-Lambda Germany GmbH

Karl-Bold-Strasse 40
77855 Achern
Germany
Tel: +49 7841 666 0
Fax: +49 7841 5000
info.germany@de.tdk-lambda.com
www.de.tdk-lambda.com



Austria Sales Office

Aredstrasse 22
2544 Leobersdorf
Austria
Tel: +43 2256 655 84
Fax: +43 2256 645 12
info@at.tdk-lambda.com
www.de.tdk-lambda.com



Switzerland Sales Office

Eichtalstrasse 55
8634 Hombrechtikon
Switzerland
Tel: +41 44 850 53 53
Fax: +41 44 850 53 50
info@ch.tdk-lambda.com
www.de.tdk-lambda.com



Nordic Sales Office

Haderslevvej 36B
DK-6000 Kolding
Denmark
Tel: +45 8853 8086
info@dk.tdk-lambda.com



TDK-Lambda UK Ltd.

Kingsley Avenue
Ilfracombe
Devon EX34 8ES
United Kingdom
Tel: +44 (0) 12 71 85 66 66
Fax: +44 (0) 12 71 86 48 94
powersolutions@uk.tdk-lambda.com
www.uk.tdk-lambda.com



TDK-Lambda Ltd.

1 Alexander Yanai
Segula
Petah-Tikva
Israel
Tel: +9 723 902 4333
Fax: +9 723 902 4777
info@tdk-lambda.co.il
www.tdk-lambda.co.il



C.I.S.

Commercial Support:

Tel: +7 (495) 665 2627

Technical Support:

Tel: +7 (812) 658 0463

info@tdk-lambda.ru

www.tdk-lambda.ru

Local Distribution