

# Surge protection device - D-FM-A/RJ45-BB - 2818795

Please be informed that the data shown in this PDF Document is generated from our Online Catalog. Please find the complete data in the user's documentation. Our General Terms of Use for Downloads are valid (<http://download.phoenixcontact.com>)



Attachment connector with surge protection for analog telecommunication interfaces. Connection: RJ45 female connectors



## Key commercial data

Packing unit	1
Minimum order quantity	1
Catalog page	Page 122 (TT-2005)
GTIN	 4 017918 161927
Custom tariff number	85363010
Country of origin	GERMANY

## Technical data

### General

Housing material	Aluminum
Color	black
Ambient temperature (operation)	-25 °C ... 85 °C
Mounting type	Connection-specific intermediate plugging
Design	Attachment plug
Degree of protection	IP20
Direction of action	Line-Line & Line-Earth Ground
Width	25.4 mm
Height	25.4 mm
Depth	102 mm

### Protective circuit

IEC category	C2
IEC category	C3
VDE requirement class	C2
VDE requirement class	C3
Maximum continuous voltage UC (wire-ground)	185 V DC
Nominal current IN	150 mA

# Surge protection device - D-FM-A/RJ45-BB - 2818795

## Technical data

### Protective circuit

Operating effective current IC at UC	≤ 10 μA
Ground conductor current IPE	≤ 1 μA
Nominal discharge surge current In (8/20) μs (Core-Earth)	2.5 kA
Output voltage limitation at 1 kV/μs (Core-Core) spike	≤ 300 V
Output voltage limitation at 1 kV/μs (Core-Earth) spike	≤ 1.4 kV
Output voltage limitation at 1 kV/μs (Core-Core) static	≤ 300 V
Output voltage limitation at 1 kV/μs (Core-Earth) static	≤ 1.4 kV
Residual voltage at In, (conductor-conductor)	≤ 50 V
Residual voltage at In, (conductor-ground)	≤ 150 V
Protection level UP (Core-Core)	≤ 300 V
Protection level UP (Core-Earth)	≤ 1.4 kV
Response time tA (Core-Core)	≤ 10 ns
Response time tA (Core-Earth)	≤ 100 ns
Inductivity in series	39 μH ±10 %
Resistance in series	1 Ω
Short-circuit current self-quenching	150 mA

### Connection data

Connection method	RJ45
Connection type IN	RJ45 female connector
Connection type OUT	RJ45 female connector

### Connection, protective circuit

Standards/regulations	Draft IEC 64644-1
Standards/regulations	E VDE 0845-3-1

## Classifications

### eclass

eCl@ss 4.0	27140201
eCl@ss 4.1	27130801
eCl@ss 5.0	27130801
eCl@ss 5.1	27130801
eCl@ss 6.0	27130807
eCl@ss 7.0	27130807

### etim

ETIM 2.0	EC000943
ETIM 3.0	EC000943
ETIM 4.0	EC000943

### unspsc

UNSPSC 6.01	30212010
UNSPSC 7.0901	39121610

# Surge protection device - D-FM-A/RJ45-BB - 2818795

## Classifications

unspsc

UNSPSC 11	39121610
UNSPSC 12.01	39121610
UNSPSC 13.2	39121620

## Approvals

Approvals

---

Approvals

GOST / GOST

---

Ex Approvals

---

Approvals submitted

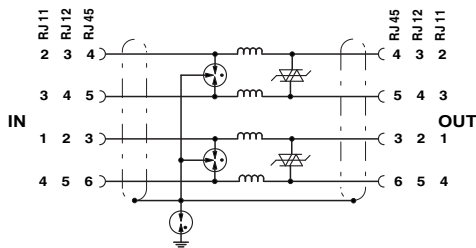
---

## Approval details



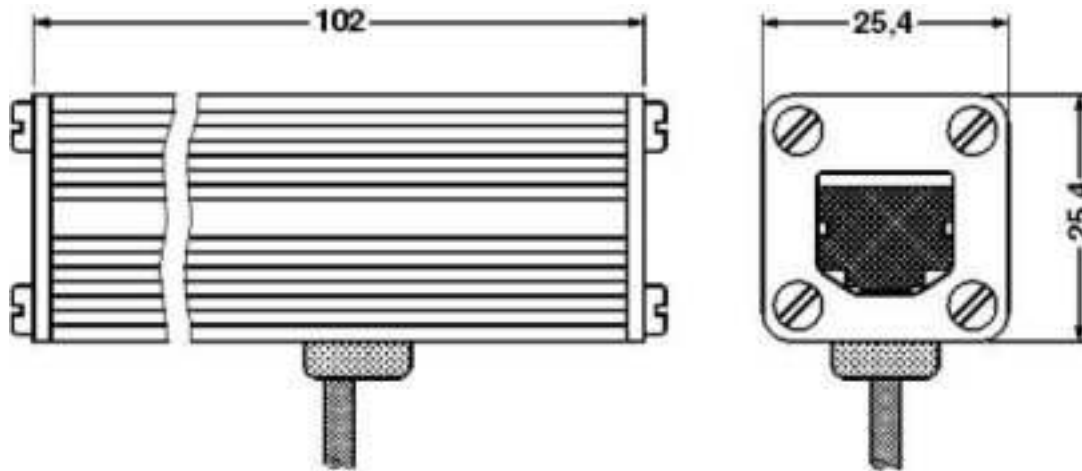
## Drawings

Circuit diagram



# Surge protection device - D-FM-A/RJ45-BB - 2818795

Dimensioned drawing



Schematic diagram

