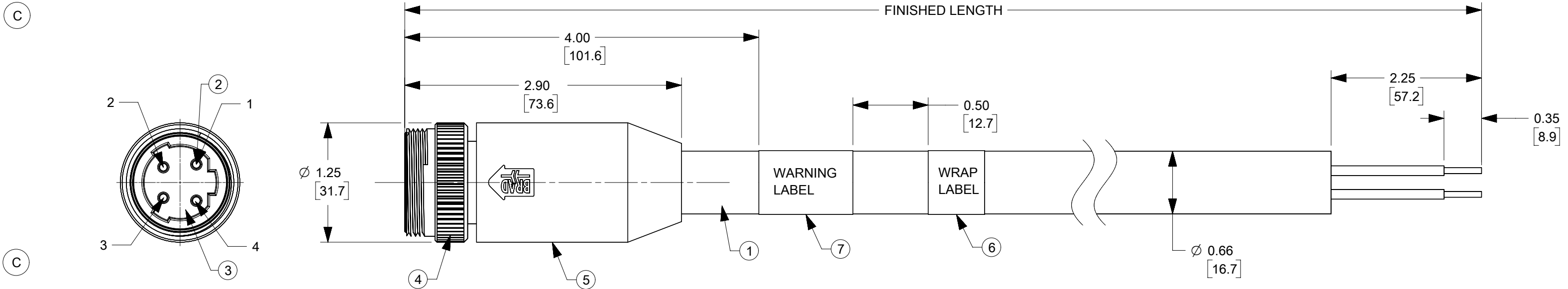


PART NO.	ENGINEERING NO.	FINISHED LENGTH	CABLE CODE	CABLE COLOR	CABLE TYPE
1300611119	304T06K09M005A3	.5M (19.7")	K09	YELLOW	STATIC
1300611063	304T06K26M020A3	2.0M (78.7")	K26	BLACK	STATIC
1300611064	304T06K26M040A3	4.0M (157.5")	K26	BLACK	STATIC
1300611065	304T06K26M060A3	6.0M (236.2")	K26	BLACK	STATIC
1300610297	304T06K36M020A3	2.0M (78.7")	K36	BLACK	FLEX



NOTE:

- MATERIAL: SEE TABLE
- FINISHES: SEE TABLE
- FLAG LABEL IS MARKED WITH PART No., DATE CODE, VOLTAGE AND AMPERAGE
- ELECTRICAL DATA
POLE: 4
MAX. VOLTAGE: IEC60664 500V
UL2237 600V
MAX. CURRENT: 25A
- ENVIRONMENTAL
PROTECTION: IP67 (WHEN MATED)
TEMPERATURE RATING: -20C TO 90C
- PACKAGING:
ASSEMBLIES ARE BAGGED SEPARATELY IN POLY BAGS WITH BAR CODE LABEL ATTACHED TO OUTSIDE OF BAG
- ASSEMBLY IS RoHS COMPLIANT
- UL LISTED FILE
CABLE TYPE K09/K26 - E258922
CABLE TYPE K36 - PENDING
- MATING THREAD: 1 1/8-16 UN
- DIMENSIONS SHOWN ARE FOR REFERENCE UNLESS TOLERANCED OR NOTED OTHERWISE

WIRING DIAGRAM

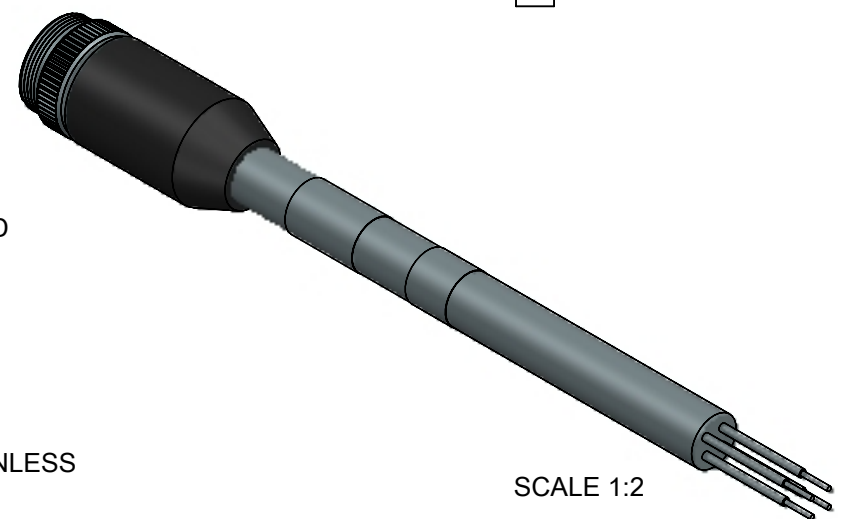
1	BLACK#1
2	BLACK#2
3	BLACK#3
4	GREEN/YELLOW

PART NUMBER MATRIX

304T06K26M005A3

CABLE TYPE
12/4C AWG TYPE
SHIELDED

FINISH LENGTH
M005 = 0.5 METER
M010 = 1 METER
M100 = 10 METER



SCALE 1:2

CABLE LENGTH TOLERANCES	
<.3M [1FT]:	+19mm-0 [+.75in-0]
.3 - .9M [1 - 3FT]:	+44.5mm-0 [+1.75in-0]
.9 - 1.8M [3 - 6FT]:	+55.6mm-0 [+2.19in-0]
1.8 - 3.7M [6 - 12FT]:	+88.9mm-0 [+3.50in-0]
3.7 - 7.3M [12 - 24FT]:	+165.1mm-0 [+6.50in-0]
7.3-14.6M [24 - 48FT]:	+317.5mm-0 [+12.50in-0]
14.6 - 30.5M [48-100FT]:	+622.3mm-0 [+24.50in-0]
OVER 30M [100FT]	+2% OF FINISHED LENGTH

ITEM	DESCRIPTION	MATERIAL	FINISH
7	WARNING LABEL	VINYL	MULTI COLOR
6	WRAP LABEL	VINYL	YELLOW
5	OVER MOLD	TPE	GRAY
4	MALE COUPLING NUT	BRASS	NICKEL PLATED
3	4P MALE INSERT	TPE	BLACK
2	PIN CONTACT	BRASS	GOLD PLATED
1	12/4C AWG SHIELDED	TPE JACKET, XLPE INSUL	SEE CABLE CHART

FUNCTIONAL SYMBOLS				THIS DRAWING CONTAINS INFORMATION THAT IS PROPRIETARY TO MOLEX ELECTRONIC TECHNOLOGIES, LLC AND SHOULD NOT BE USED WITHOUT WRITTEN PERMISSION					
0	INCH	SCALE	1:1	CURRENT REV DESC: ADDED PART NUMBER TO PN TABLE, UPDATED NOTES					
0	GENERAL TOLERANCES (UNLESS SPECIFIED)			EC NO: 656902 DRWN: ALEON01 2021/02/18 CHK'D: MZIELINSKI 2021/06/25 APPR: BWOODMAN 2021/07/16 INITIAL REVISION: DRWN: TWOLDEGEBRIE 2016/09/29 APPR: BWOODMAN 2016/11/14					
0	ANGULAR TOL ± °								
4	PLACES ±								
DIVISIONAL SYMBOLS				PRODUCT CUSTOMER DRAWING DOCUMENT NUMBER: 1300610269 DOC TYPE: PSD DOC PART: 000 REVISION: C					
DRAFT WHERE APPLICABLE MUST REMAIN WITHIN DIMENSIONS				THIRD ANGLE PROJECTION	DRAWING	SERIES	MATERIAL NUMBER	CUSTOMER	SHEET NUMBER
					B-SIZE	130061			1 OF 1

DOCUMENT STATUS	P1	RELEASE DATE	2021/07/16	22:41:32
-----------------	----	--------------	------------	----------