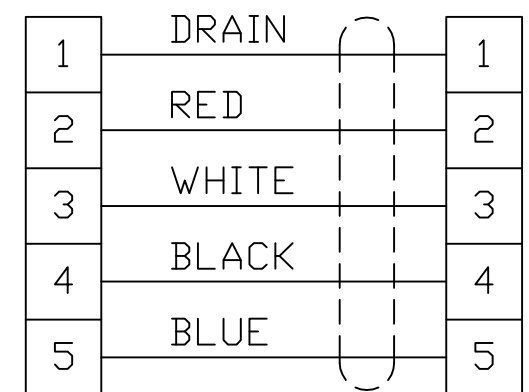
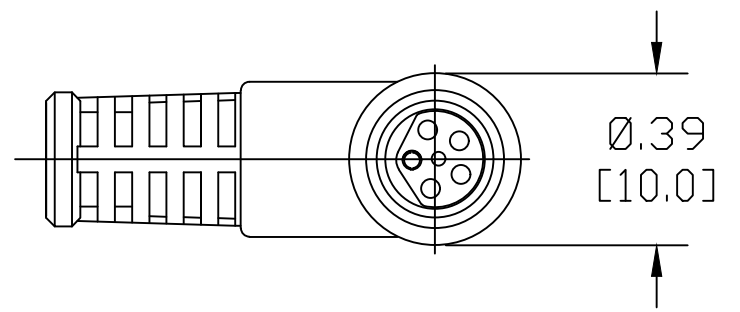
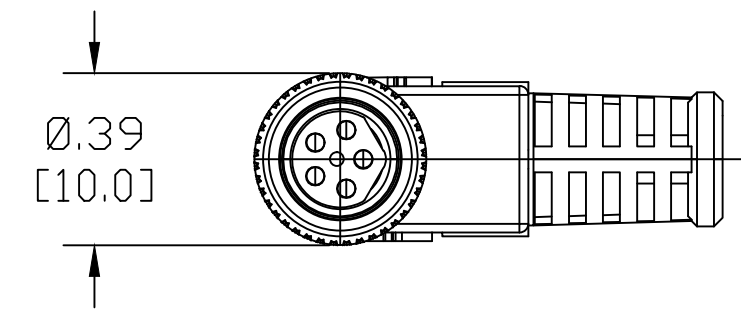
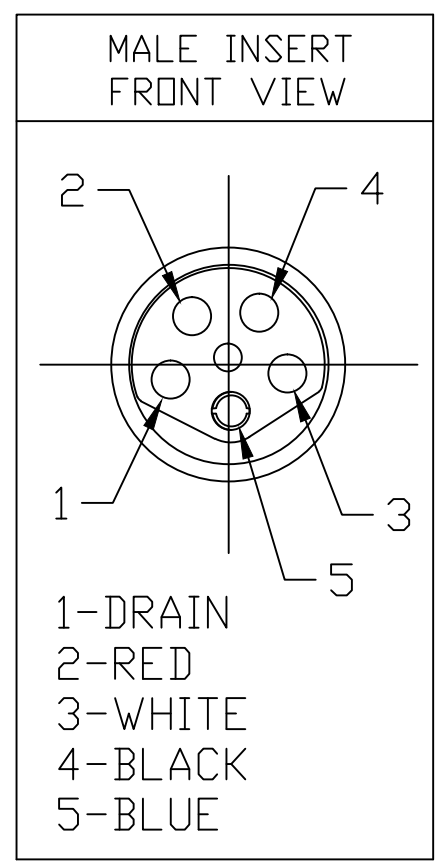
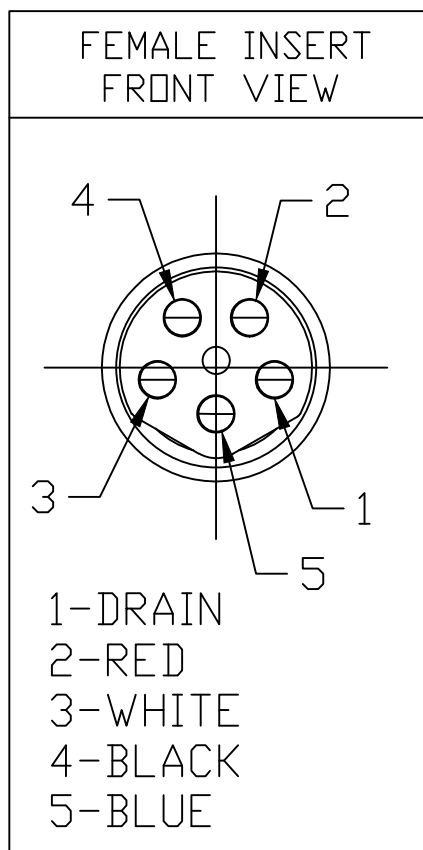
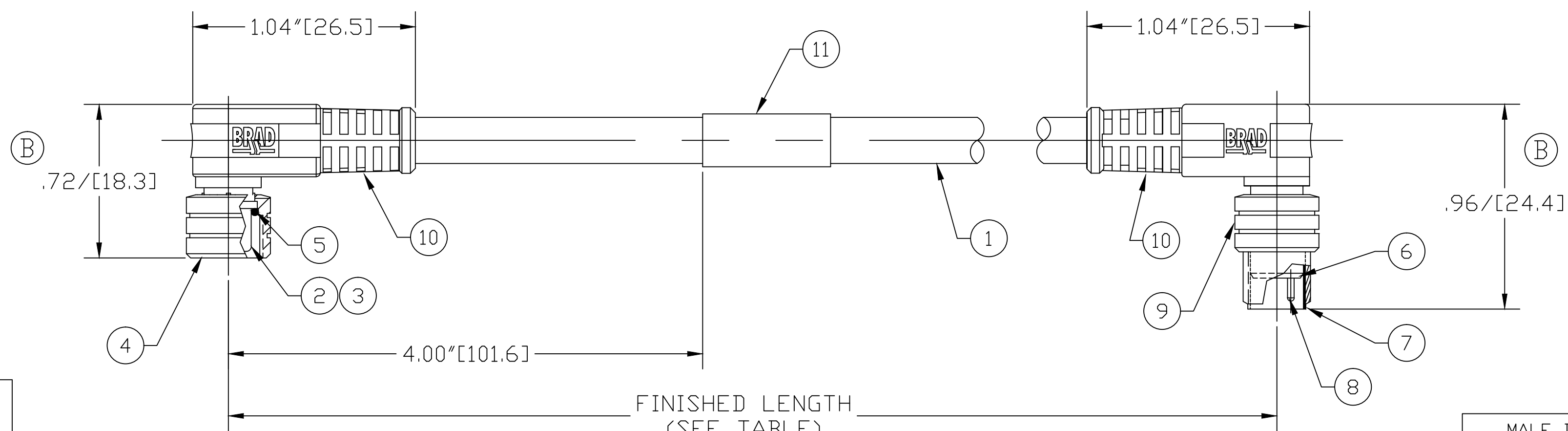


MATERIAL NUMBER	OLD PART NUMBER	FINISHED LENGTH
1300300089	445033D12M010	3.28' +2.31" -0 [1.0M +58.7mm -0]



- NOTES:
- MATERIAL: AS NOTED
  - FINISH: AS NOTED
  - ELECTRICAL:  
VOLTAGE; 60VAC, 75VDC  
CURRENT: 2A
  - TEMP RATING: -25°TO +80°C
  - PROTECTION: IP67 (WHEN MATED)
  - COUPLING THREAD: M8 X 1
  - ALL DIMS ARE FOR REFERENCE UNLESS NOTED OTHERWISE

445033D12M010

Wire type  
26 AWG  
Gray PVC

cable length  
M020----2 Meter  
M100----10 Meter

ITEM	DESCRIPTION	MATERIAL	FINISH
11	WRAP LABEL	VINYL	BLACK/YELLOW
10	OVERMOLD	TPE	YELLOW
9	COUPLING, MALE, M8	BRASS	NICKEL PLATED
8	CONTACT PIN	COPPER ALLOY	GOLD PLATED
7	SLEEVE	BRASS	NICKEL PLATED
6	MALE INSERT	PUR	BLACK
5	□-RING	VITON	RED
4	COUPLING, FEMALE, M8	BRASS	NICKEL PLATED
3	CONTACT SOCKET	COPPER ALLOY	GOLD PLATED
2	FEMALE INSERT	PUR	BLACK
1	CABLE, 2P, 26 AWG, SHLD	PVC	GRAY

TOL. WAS 2.19, ADD NOTES & DIMS EC NO.: IFCG2017-0269 DRWN: RSTONE 9/12/16 CHKD: M ZIELIN 2016/09/15 APPR: BWOODMAN2013/08/14	QUALITY SYMBOL	GENERAL TOLERANCES (UNLESS SPECIFIED)	DIMENSION STYLE	SCALE	DESIGN UNITS	THIRD ANGLE PROJECTION
	▽=0 ∇=0	mm INCH	IN/MM	---	INCH	
		4 PLACES ±--- ±---	DRAWN BY DATE	TITLE		
		3 PLACES ±--- ±.005	EBRACKEN 2013/06/18	NANO-CHANGE ASSEMBLY		
	2 PLACES ±0.13 ±.010	CHECKED BY DATE	5 POLE M/MFE 90/90			
	1 PLACE ±0.3 ±---	RSTONE	#26 AWG			
	ANGULAR ±2°	APPROVED BY DATE	MOLEX INCORPORATED			
	DRAFT WHERE APPLICABLE MUST REMAIN WITHIN DIMENSIONS	BWOODMAN 2013/08/14	SD-130030-005			
		MATERIAL NO.	SHEET NO.			
		-	1 OF 1			
		SIZE C	THIS DRAWING CONTAINS INFORMATION THAT IS PROPRIETARY TO MOLEX INCORPORATED AND SHOULD NOT BE USED WITHOUT WRITTEN PERMISSION			