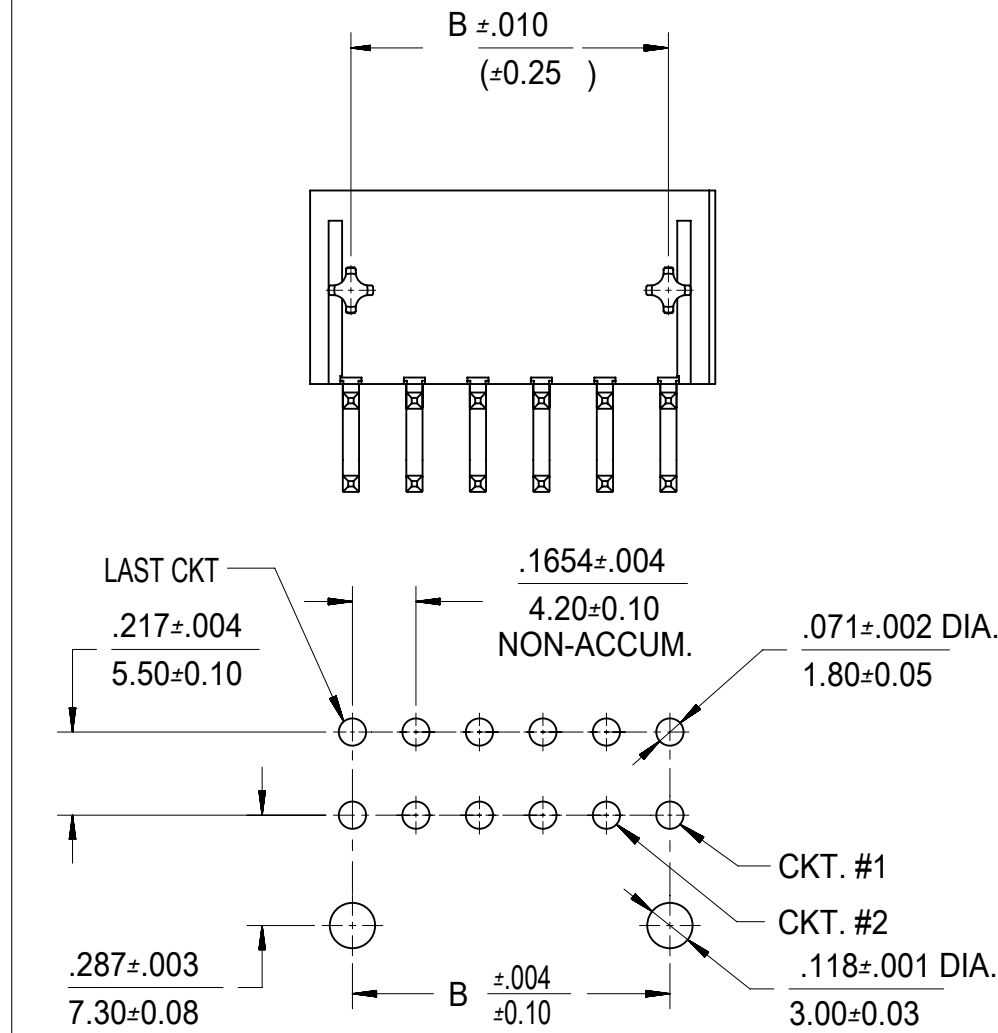
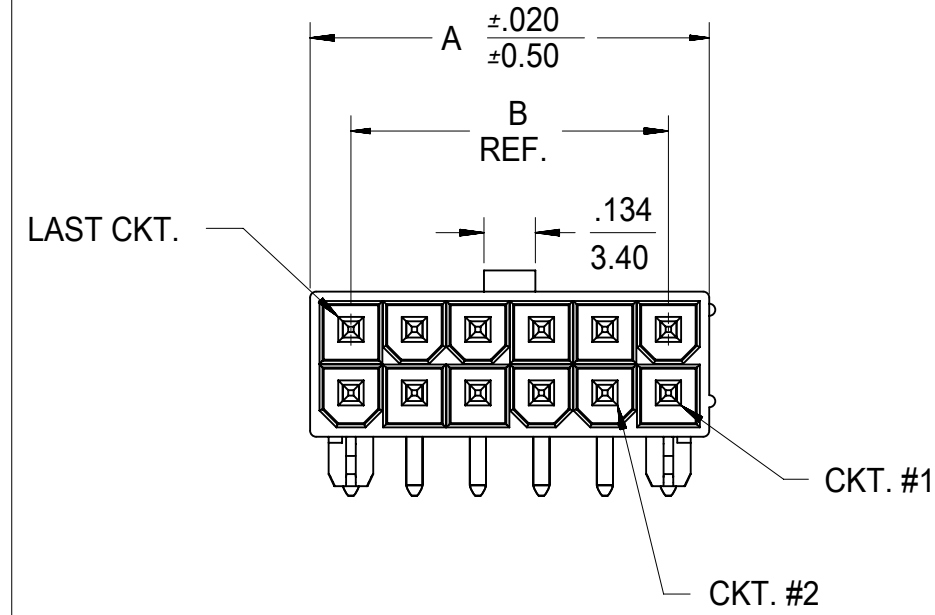
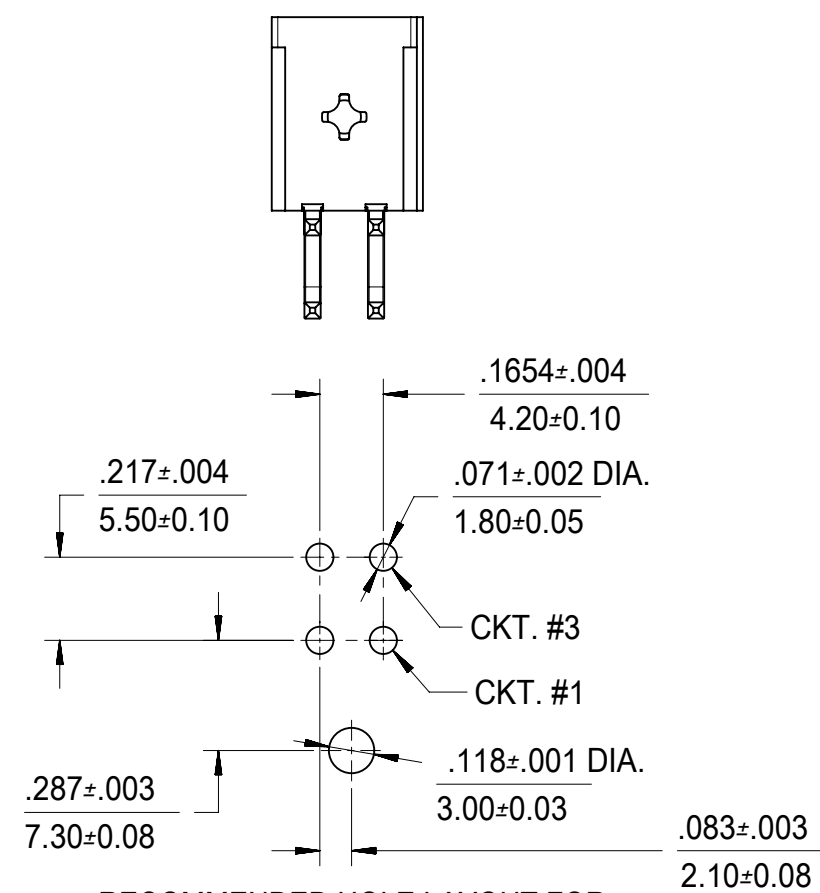
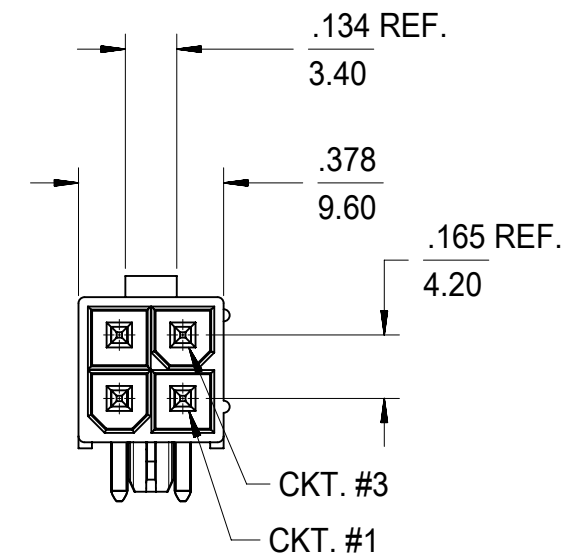


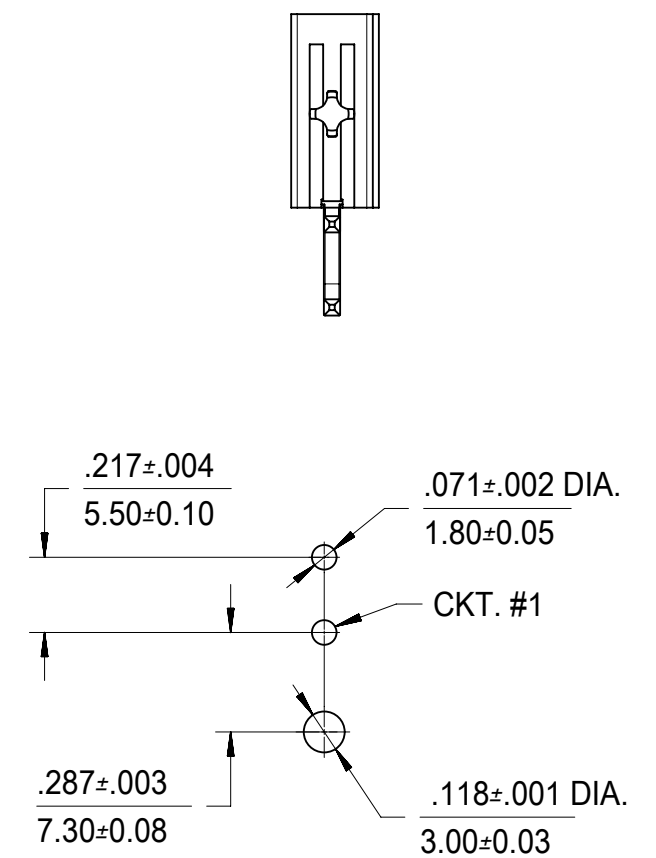
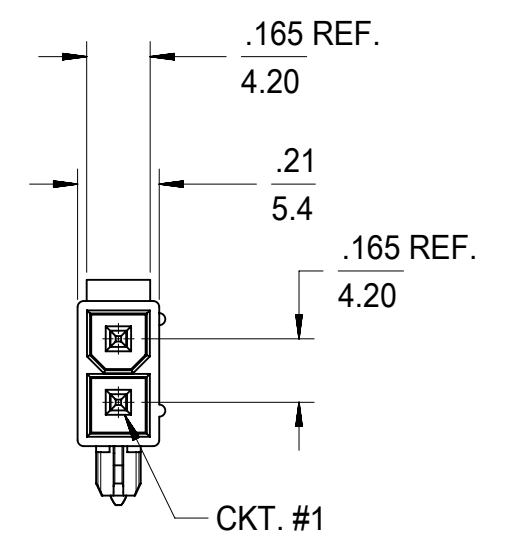
CIRCUIT SIZE	DIM. "A"	DIM. "B"
6	.54 (13.8)	.33 (8.4)
8	.71 (18.0)	.50 (12.6)
10	.87 (22.2)	.66 (16.8)
12	1.04 (26.4)	.83 (21.0)
14	1.20 (30.6)	.99 (25.2)
16	1.37 (34.8)	1.16 (29.4)
18	1.54 (39.0)	1.32 (33.6)
20	1.70 (43.2)	1.49 (37.8)
22	1.87 (47.4)	1.65 (42.0)
24	2.03 (51.6)	1.82 (46.2)



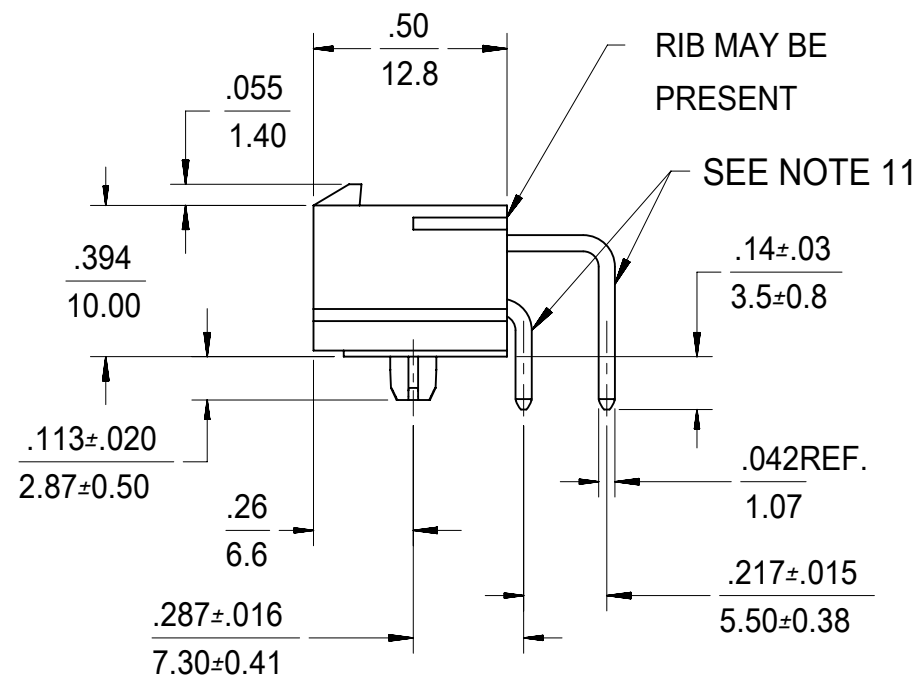
RECOMMENDED HOLE LAYOUT FOR
.070/(1.78) MAX. THICK P.C. BOARD
VIEWED FROM COMPONENT SIDE
FOR 6 THRU 24 CIRCUITS



RECOMMENDED HOLE LAYOUT FOR
.070/(1.78) MAX. THICK P.C. BOARD
VIEWED FROM COMPONENT SIDE
FOR 4CKT PARTS



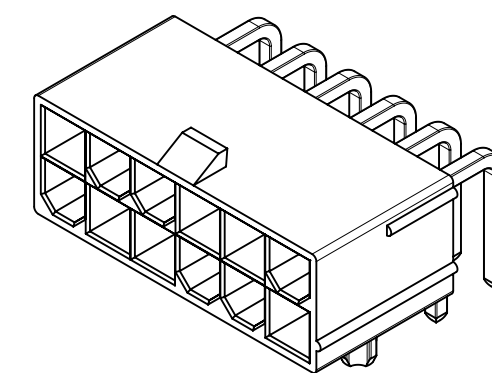
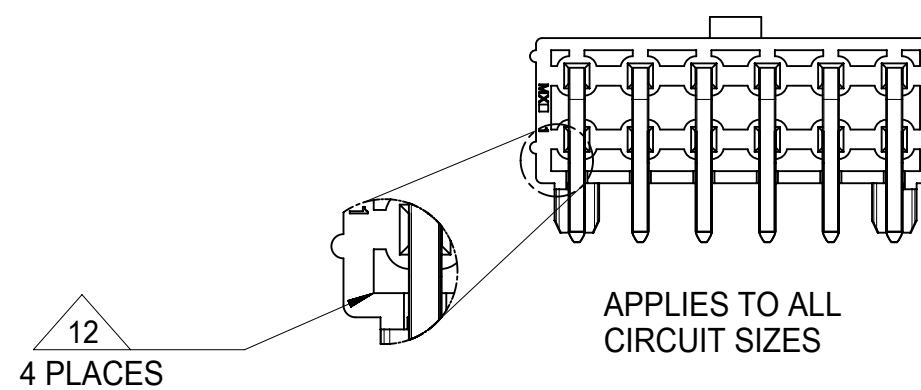
RECOMMENDED HOLE LAYOUT FOR
.070/(1.78) MAX. THICK P.C. BOARD
VIEWED FROM COMPONENT SIDE
FOR 2CKT PARTS



THIS VIEW APPLIES TO ALL CIRCUIT SIZES

NOTES:

- MATERIAL:
HOUSING:
"130" = GLASS FILLED LCP, UL94V-0, IEC 60335-1
5TH EDITION GLOW WIRE CAPABLE
COLOR - BLACK
TERMINAL:
BRASS ALLOY
- FINISH (PLATING):
"MS" = .000100/(0.00254) MIN. MATTE TIN OVER
.000050/(0.00127) MIN. NICKEL
"GS" = .000030/(0.00076) MIN. SELECT GOLD OVER
.000100/(0.00254) MIN. SELECT MATTE TIN
OVER .000050/(0.00127) MIN. NICKEL OVERALL
- PRODUCT SPECIFICATION: SEE CHARTS
- PACKAGING:
"T" = TRAY PACKED PER PK-5569-003
- PART MATES WITH MINI-FIT JR. RECEPTACLE SERIES 5557 AND 46992.
- MOUNTING OPTIONS:
7 = PRESS FIT PEG
- DISCOLORATION IN THE BANDOLIER CARRIER AREA OF THE PIN IS INHERENT TO THE PLATING PROCESS AND IS DUE TO THE MASKING EFFECT OF THE CARRIER. THIS DISCOLORATION IS IN A NON-FUNCTIONAL AREA OF THE PIN AND WILL NOT AFFECT THE PERFORMANCE OF THE HEADER ASSEMBLY.
- PART CONFORMS TO CLASS "B" REQUIREMENTS OF COSMETIC SPECIFICATION PS-45499-002.
- CONNECTORS ARE NOT TO BE MATED AND UNMATED WHILE CIRCUITS ARE LIVE.
- PARTS ARE NOT DESIGNED FOR CURRENT SHARING.
- FORMING MARKS ON PINS ARE ACCEPTABLE.
- CORNER CORE-OUTS ARE OPTIONAL AND MAY OR MAY NOT BE PRESENT.
- TEXT ON PART IS FOR REFERENCE ONLY. TEXT AND TEXT LOCATION MAY VARY DEPENDING ON PART NUMBER AND/OR TOOL.



SYMBOLS		THIS DRAWING CONTAINS INFORMATION THAT IS PROPRIETARY TO MOLEX ELECTRONIC TECHNOLOGIES, LLC AND SHOULD NOT BE USED WITHOUT WRITTEN PERMISSION	
∇ = 0	4 PLACES ±	IN/MM	SCALE
∇ = 0	3 PLACES ±	2:1	CURRENT REV DESC: CORRECT CHART
∇ = 0	2 PLACES ±	GENERAL TOLERANCES (UNLESS SPECIFIED)	EC NO: 170964
∇ = 0	1 PLACE ±	MM INCH	DRWN: AZAHIROVIC 2018/01/25
∇ = 0	0 PLACES ±	± 0.38 ±	CHK'D: JBELL 2018/01/25
∇ = 0	ANGULAR TOL ± 0.5°	± 0.38 ±	APPR: FSMITH 2018/01/25
∇ = 0	DRAFT WHERE APPLICABLE MUST REMAIN WITHIN DIMENSIONS	THIRD ANGLE PROJECTION	INITIAL REVISION:
		DRAWING	DRWN: JJAGUILAR 2009/07/27
		SERIES	APPR: FSMITH 2009/07/31
		C-SIZE	5569
		MATERIAL NUMBER	55690007-SD
		CUSTOMER	GENERAL MARKET
		SHEET NUMBER	1 OF 2

TOOLED	PART NO.	ENG. NO.	CKT. SIZE	MOUNTING OPTION	PLATING (SEE NOTE 2)	HOUSING MATERIAL (SEE NOTE 1)	PACKAGING	PRODUCT SPECIFICATION
YES	50-36-2457	5569-02A7MS-130-T	2	PRESS FIT PEGS	MATTE TIN/NICKEL	94V-0	TRAY PACKAGED PER PK-5569-003	PS-5556-004
	50-36-2459	5569-04A7MS-130-T	4	PRESS FIT PEGS	MATTE TIN/NICKEL	94V-0		
	50-36-2462	5569-06A7MS-130-T	6	PRESS FIT PEGS	MATTE TIN/NICKEL	94V-0		
	50-36-2464	5569-08A7MS-130-T	8	PRESS FIT PEGS	MATTE TIN/NICKEL	94V-0		
	50-36-2466	5569-10A7MS-130-T	10	PRESS FIT PEGS	MATTE TIN/NICKEL	94V-0		
	50-36-2296	5569-12A7MS-130-T	12	PRESS FIT PEGS	MATTE TIN/NICKEL	94V-0		
	50-36-2428	5569-14A7MS-130-T	14	PRESS FIT PEGS	MATTE TIN/NICKEL	94V-0		
	50-36-2426	5569-16A7MS-130-T	16	PRESS FIT PEGS	MATTE TIN/NICKEL	94V-0		
NO	50-36-2468	5569-18A7MS-130-T	18	PRESS FIT PEGS	MATTE TIN/NICKEL	94V-0		
	50-36-2471	5569-20A7MS-130-T	20	PRESS FIT PEGS	MATTE TIN/NICKEL	94V-0		
	50-36-2473	5569-22A7MS-130-T	22	PRESS FIT PEGS	MATTE TIN/NICKEL	94V-0		
	50-36-2475	5569-24A7MS-130-T	24	PRESS FIT PEGS	MATTE TIN/NICKEL	94V-0		
	46999-0720	5569-02A7GS-130-T	2	PRESS FIT PEGS	SELECT GOLD/NICKEL	94V-0		
	46999-0721	5569-04A7GS-130-T	4	PRESS FIT PEGS	SELECT GOLD/NICKEL	94V-0		
	46999-0722	5569-06A7GS-130-T	6	PRESS FIT PEGS	SELECT GOLD/NICKEL	94V-0		
	46999-0723	5569-08A7GS-130-T	8	PRESS FIT PEGS	SELECT GOLD/NICKEL	94V-0		
46999-0724	5569-10A7GS-130-T	10	PRESS FIT PEGS	SELECT GOLD/NICKEL	94V-0			
46999-0725	5569-12A7GS-130-T	12	PRESS FIT PEGS	SELECT GOLD/NICKEL	94V-0			
46999-0726	5569-14A7GS-130-T	14	PRESS FIT PEGS	SELECT GOLD/NICKEL	94V-0			
46999-0727	5569-16A7GS-130-T	16	PRESS FIT PEGS	SELECT GOLD/NICKEL	94V-0			
46999-0728	5569-18A7GS-130-T	18	PRESS FIT PEGS	SELECT GOLD/NICKEL	94V-0			
46999-0729	5569-20A7GS-130-T	20	PRESS FIT PEGS	SELECT GOLD/NICKEL	94V-0			
46999-0730	5569-22A7GS-130-T	22	PRESS FIT PEGS	SELECT GOLD/NICKEL	94V-0			
46999-0731	5569-24A7GS-130-T	24	PRESS FIT PEGS	SELECT GOLD/NICKEL	94V-0			

SYMBOLS = 0 = 0 = 0 = 0 = 0 = 0 = 0 = 0	THIS DRAWING CONTAINS INFORMATION THAT IS PROPRIETARY TO MOLEX ELECTRONIC TECHNOLOGIES, LLC AND SHOULD NOT BE USED WITHOUT WRITTEN PERMISSION			
	DIMENSION UNITS		SCALE	
	IN/MM		1:1	
	CURRENT REV DESC: CORRECT CHART			
	GENERAL TOLERANCES (UNLESS SPECIFIED)			
	4 PLACES ±		±	
	3 PLACES ±		± 0.015	
	2 PLACES ±		± 0.38	
	1 PLACE ±		± 0.38	
	0 PLACES ±		±	
ANGULAR TOL ±		± 0.5 °		
DRAFT WHERE APPLICABLE MUST REMAIN WITHIN DIMENSIONS		THIRD ANGLE PROJECTION	DRAWING	SERIES
			C-SIZE	5569
EC NO: 170964		2018/01/25		
DRWN: AZAHIROVIC		2018/01/25		
CHK'D: JBELL		2018/01/25		
APPR: FSMITH		2018/01/25		
INITIAL REVISION:		2009/07/27		
DRWN: JJAGUILAR		2009/07/31		
APPR: FSMITH		2009/07/31		
DOCUMENT NUMBER		DOC TYPE	DOC PART	REVISION
55690007-SD		PSD	000	A
MATERIAL NUMBER		CUSTOMER		SHEET NUMBER
SEE CHART		GENERAL MARKET		2 OF 2