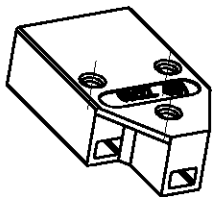
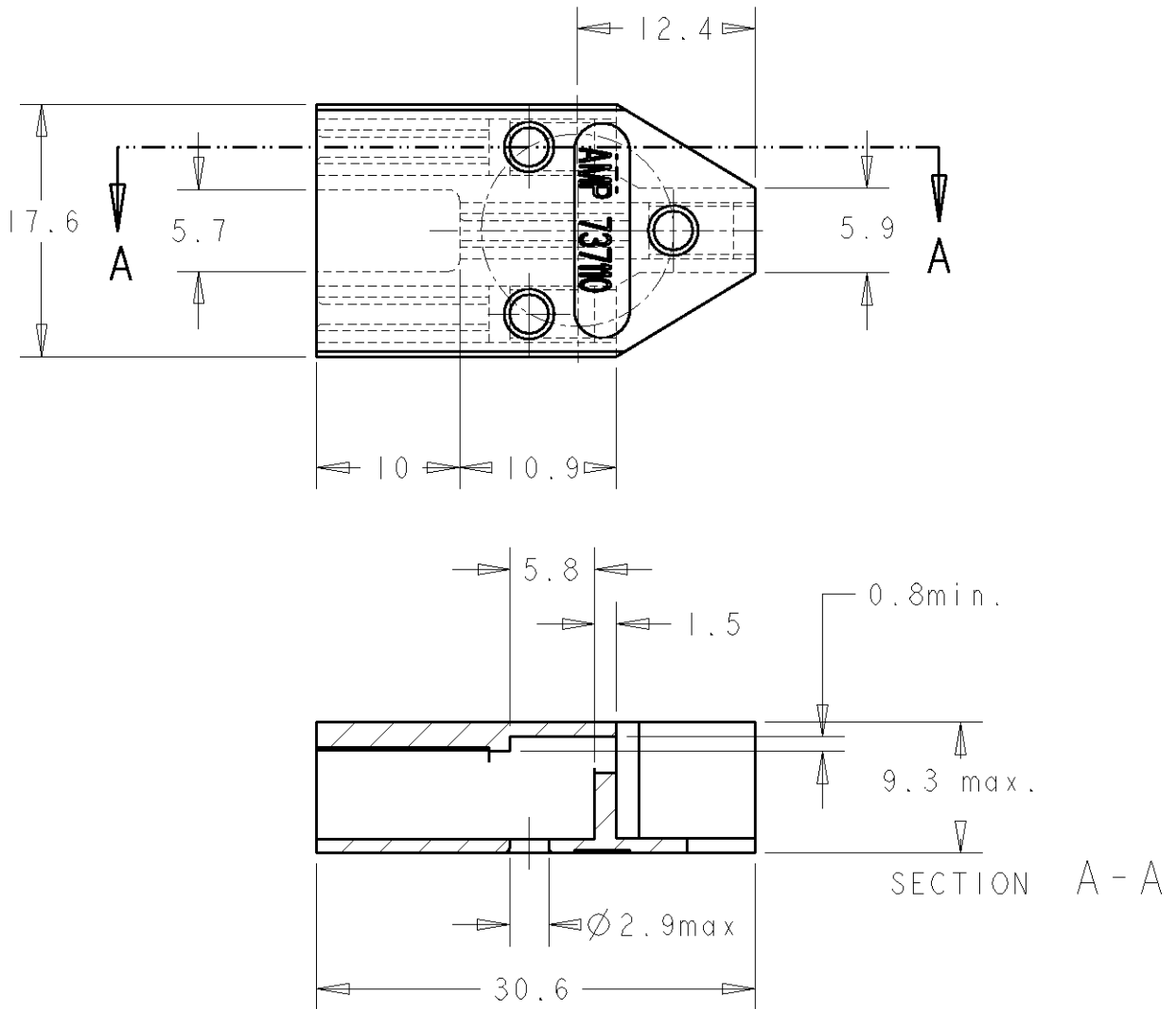


LOC	DIST	REVISIONS				
P	LTR	DESCRIPTION	DATE	DWN	APVD	
AL	2	E1	Redibujado en CAD sin cambios	29NOV2007	J.L	J.S



NATURAL	PBT 30%GF-V0	737110-4
NATURAL	POLYESTER	737110-3
COLOR	MATERIAL	P.N

THIS DRAWING IS UNPUBLISHED. BY TYCO ELECTRONICS CORPORATION. ALL RIGHTS RESERVED. COPYRIGHT 20

DIMENSIONS: mm	DWN J.Lazaro	29NOV2007	MATERIAL	-	FINISH	-
	CHK J.Salo	29NOV2007	Tyco Electronics Tyco Electronics AMP España S.A. Barcelona / Spain			
TOLERANCES UNLESS OTHERWISE SPECIFIED:	APVD L.Batillo	29NOV2007				
0 PLC ±	PRODUCT SPEC	-	SIZE	CAGE CODE	DRAWING NO	RESTRICTED TO
1 PLC ±GENERAL	APPLICATION SPEC	-	A4	00779	C=737110	-
2 PLC ±TOLERANCIA	WEIGHT	-	CUSTOMER DRAWING			
3 PLC ±± 0.4			SCALE	2/1	SHEET	1 OF 1
4 PLC ±					REV	E1
ANGLES ±						