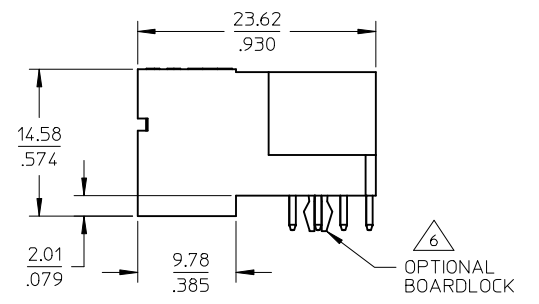
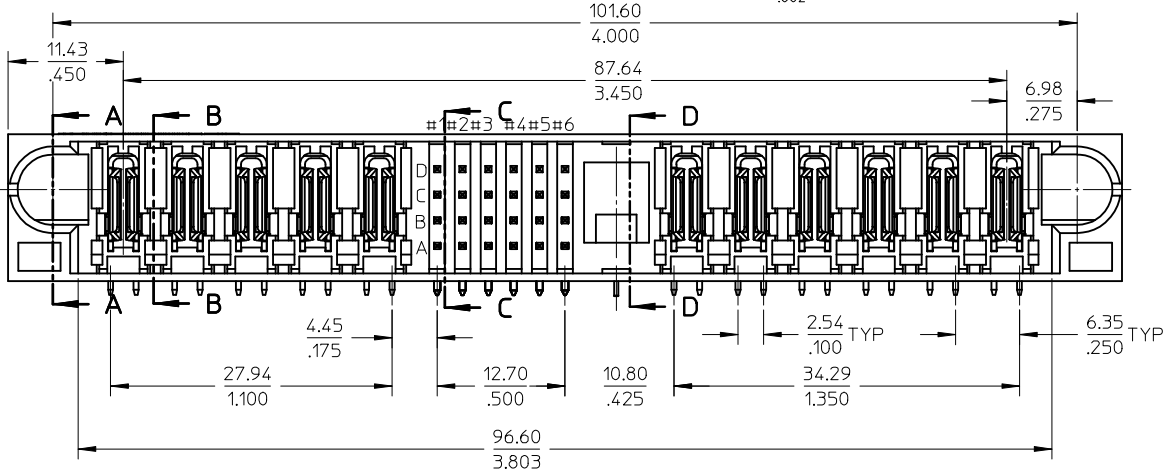
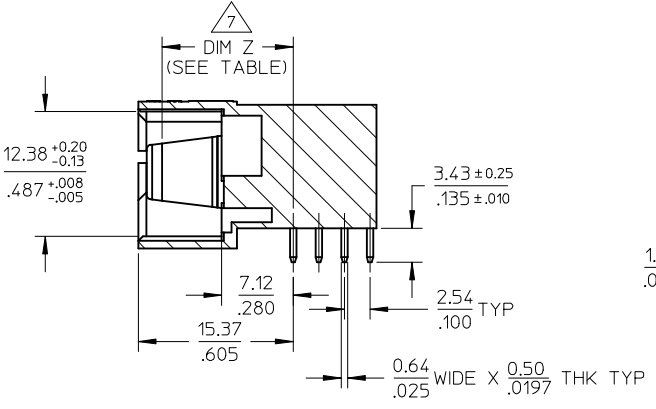


SHORT BLADE OPTION LONG BLADE OPTION

DETAIL R  
(SEE TABLE FOR BLADE OPTION)

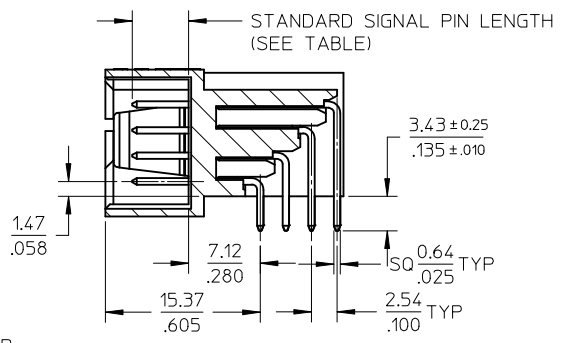


CORRECT PCB HOLE SIZE EC NO: S2009-0475 DRWN:SKANG CHKD:ATSEE APPR:MLONG	2009/01/16 2009/01/20 2009/02/05	DESCRIPTION D3	QUALITY SYMBOLS	GENERAL TOLERANCES (UNLESS SPECIFIED)	DIMENSION STYLE	SCALE	DESIGN UNITS	THIRD ANGLE PROJECTION
			▽=0 ◻=0	mm    INCH 4 PLACES ± --- ± --- 3 PLACES ± --- ± .010 2 PLACES ± 0.25 ± --- 1 PLACE ± --- ± --- ANGULAR ± 3 °	MM/IN	NTS	METRIC	
				DRAWN BY: BHLOW    DATE: 2002/11/20 CHECKED BY:    DATE: APPROVED BY: PTL IM    DATE: 2002/11/26 SKTOH    DATE: 2002/11/27	TITLE			MPS HEADER, 5P-24S-6P CONFIG., R/A, T/H
			DRAFT WHERE APPLICABLE MUST REMAIN WITHIN DIMENSIONS	SEE TABLE	MATERIAL NO.    DOCUMENT NO.    SHEET NO. MOLEX INCORPORATED    SD-87615-010    1 OF 3			



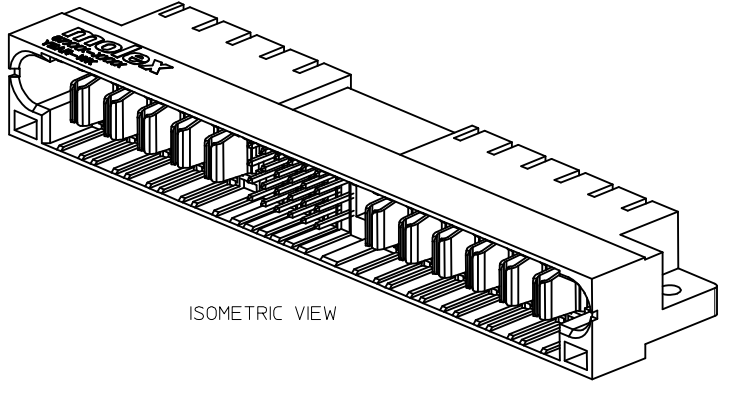
(TERMINAL LOCKING  
DETAIL NOT SHOWN)

SECTION B-B



(TERMINAL LOCKING  
DETAIL NOT SHOWN)

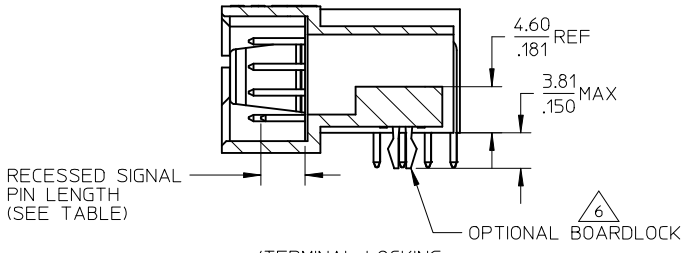
SECTION C-C



ISOMETRIC VIEW

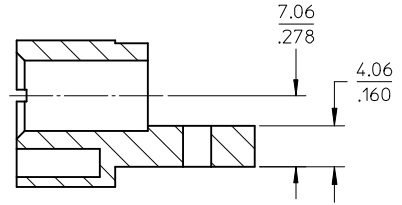
NOTES:

1. MATERIALS: HOUSING - LCP, GLASS FILLED, UL 94V-0, COLOUR: BLACK  
POWER PINS - COPPER ALLOY  
SIGNAL PINS - COPPER ALLOY  
BOARDLOCK - STAINLESS STEEL.
2. FINISHES: POWER & SIGNAL PINS:  
SELECTIVE GOLD IN CONTACT AREA.  
THICKNESS= 0.76 MICROMETER/ 30 MICROINCH MINIMUM  
SELECTIVE TIN IN THE PC TAIL AREA  
THICKNESS= 2.54 MICROMETER/ 100 MICROINCH MINIMUM  
NICKEL OVERALL.
3. PRODUCT SPECIFICATION: PS-87615-005.
4. SEE SHEET 3 FOR RECOMMENDED PCB LAYOUT AND THICKNESS.
5. MATES WITH MOLEX PART NUMBER: 87616-0001.
- △6. OPTIONAL BOARD-LOCK DEPENDS ON PCBA DESIGN AND PROCESS REQUIREMENTS.
- △7. LONG AND SHORT CONTACT BLADE OPTIONS ARE AVAILABLE FOR DIFFRENT CUSTOMER'S REQUIREMENTS.



(TERMINAL LOCKING  
DETAIL NOT SHOWN)

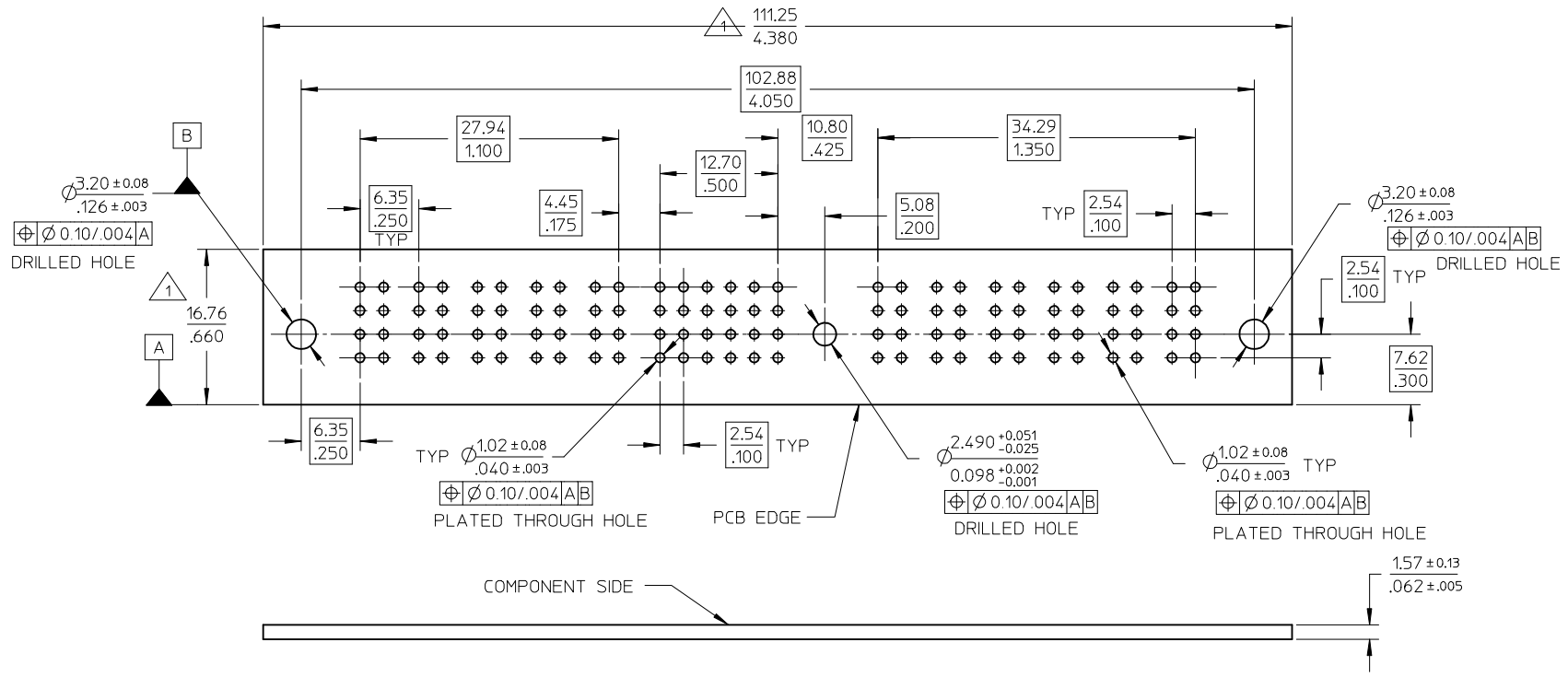
SECTION D-D



SECTION A-A

CORRECT PCB HOLE SIZE EC NO: S2009-0475 DRWN:SKANG 2009/01/16 CHKD:ATSEE 2009/01/20 APPR:MLONG 2009/02/05	QUALITY SYMBOLS ▽=0 ◻=0	GENERAL TOLERANCES (UNLESS SPECIFIED)		DIMENSION STYLE	SCALE	DESIGN UNITS	THIRD ANGLE PROJECTION	
				MM/IN	NTS	METRIC		
		mm	INCH	DRAWN BY	DATE	TITLE		
		4 PLACES	± --- ± ---	BHLOW	2002/11/20	MPS HEADER, 5P-24S-6P CONFIG., R/A, T/H		
3 PLACES	± --- ± .010	CHECKED BY	DATE	MOLEX INCORPORATED				
2 PLACES	± 0.25 ± ---	PTL IM	2002/11/26					
1 PLACE	± --- ± ---	APPROVED BY	DATE	DOCUMENT NO.				
ANGULAR ± 3 °		SKTOH	2002/11/27	SD-87615-010				
DRAFT WHERE APPLICABLE MUST REMAIN WITHIN DIMENSIONS		MATERIAL NO.	SEE TABLE	SHEET NO.				
		SIZE	A3	2 OF 3				
THIS DRAWING CONTAINS INFORMATION THAT IS PROPRIETARY TO MOLEX INCORPORATED AND SHOULD NOT BE USED WITHOUT WRITTEN PERMISSION								

PART NUMBER	PART STATUS	PACKAGING	OPTIONAL BOARDLOCK △6	△7 POWER BLADE OPTIONS		STANDARD SIGNAL PIN LENGTH	RECESSED SIGNAL PIN	
				TYPE	DIMENSION Z ± 0.13/.005		LENGTH	LOCATION
87615-1001	TOOLED	TRAY	WITH BOARDLOCK	SHORT CONTACT	13.32/.524	5.59/.220	4.32/.170	A6
87615-1008	TOOLED	TRAY	WITHOUT BOARDLOCK	SHORT CONTACT	13.32/.524	5.59/.220	4.32/.170	A6
87615-1009	TOOLED	TRAY	WITH BOARDLOCK	LONG CONTACT	14.12/.556	6.86/.270	5.59/.220	A6



PCB NOTES:  
 △1. CONNECTOR ENVELOP DIMENSIONS, OTHER COMPONENTS PLACED ON PCB SHALL AVOID THIS ZONE.

<b>CORRECT PCB HOLE SIZE</b> EC NO: S2009-0475 DRWN:SKANG CH'KD:ATSEE APPR:WILONG 2009/01/16 2009/01/20 2009/02/05 DESCRIPTION REV	QUALITY SYMBOLS ▽=0 ▽=0	GENERAL TOLERANCES (UNLESS SPECIFIED) <table border="1"> <thead> <tr> <th></th> <th>mm</th> <th>INCH</th> </tr> </thead> <tbody> <tr> <td>4 PLACES</td> <td>± ---</td> <td>± ---</td> </tr> <tr> <td>3 PLACES</td> <td>± ---</td> <td>± .010</td> </tr> <tr> <td>2 PLACES</td> <td>± 0.25</td> <td>± ---</td> </tr> <tr> <td>1 PLACE</td> <td>± ---</td> <td>± ---</td> </tr> </tbody> </table>		mm	INCH	4 PLACES	± ---	± ---	3 PLACES	± ---	± .010	2 PLACES	± 0.25	± ---	1 PLACE	± ---	± ---	DIMENSION STYLE <b>MM/IN</b>	SCALE <b>NTS</b>	DESIGN UNITS <b>METRIC</b>	THIRD ANGLE PROJECTION
		mm	INCH																		
	4 PLACES	± ---	± ---																		
	3 PLACES	± ---	± .010																		
2 PLACES	± 0.25	± ---																			
1 PLACE	± ---	± ---																			
DRAFT WHERE APPLICABLE MUST REMAIN WITHIN DIMENSIONS	DRAWN BY BHLW	DATE 2002/11/20	TITLE <b>MPS HEADER, 5P-24S-6P          CONFIG., R/A, T/H</b>	MOLEX INCORPORATED	SHEET NO. <b>3 OF 3</b>																
MATERIAL NO. <b>SEE TABLE</b>	APPROVED BY SKTOH	DATE 2002/11/27	MOLEX INCORPORATED	DOCUMENT NO. <b>SD-87615-010</b>																	
	SIZE <b>A3</b>	THIS DRAWING CONTAINS INFORMATION THAT IS PROPRIETARY TO MOLEX INCORPORATED AND SHOULD NOT BE USED WITHOUT WRITTEN PERMISSION																			