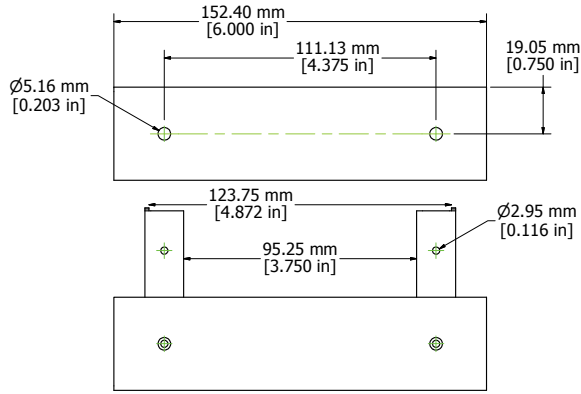
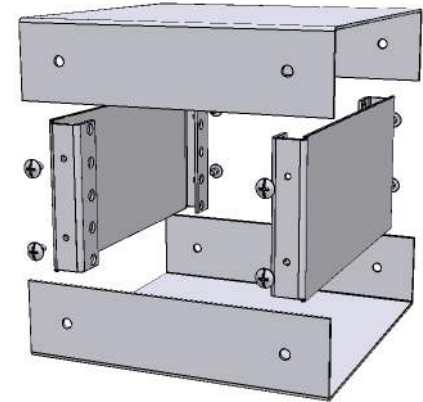


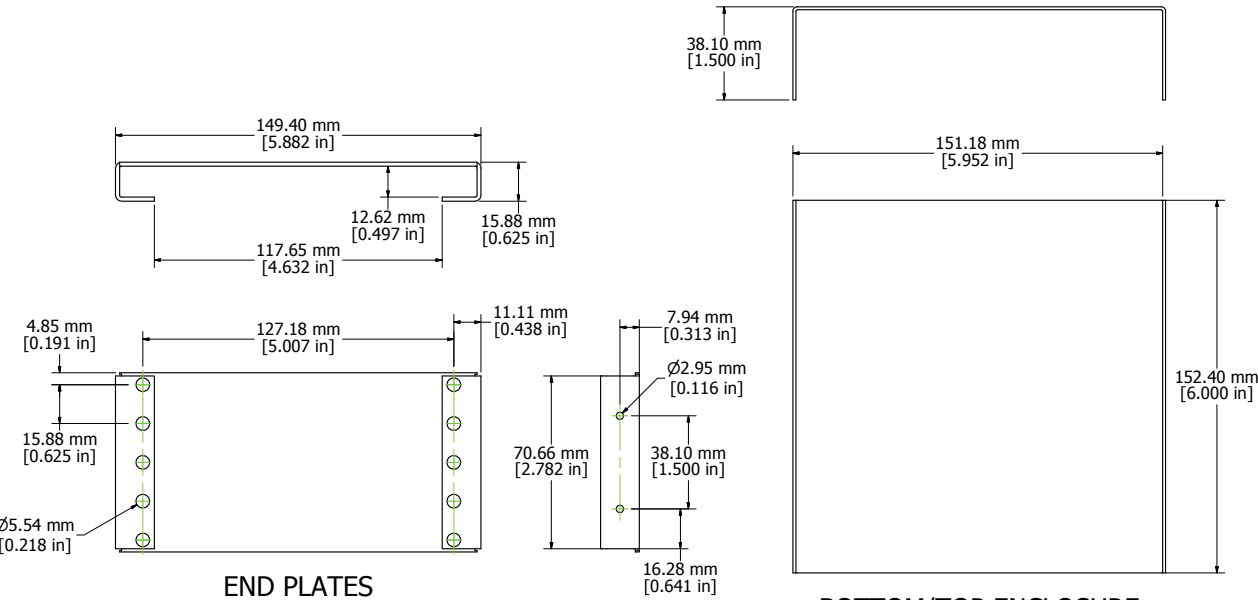
ASSEMBLY - END VIEW (OPEN)



ASSEMBLY- SIDE VIEW (OPEN)



Enclosures can be Factory Modified ( Milling, Drilling, Printing etc. )  
 Contact Factory [mjm@hammondmfg.com](mailto:mjm@hammondmfg.com) for quotes  
 Solid models of this enclosure available in STEP or IGES.



END PLATES

BOTTOM/TOP ENCLOSURE

1458C3	
Top/Bottom - 18 ga. Steel	
Powder Coated Black RAL 9011 - <b>1458C3</b>	
Powder Coated Gulf Blue RAL 5021 - <b>1458C3B</b>	
Front/Rear Panels - .064 Aluminum	
1- Black RAL 9011	1- Grey RAL 7032
8 Screws Self Tapping 632 Philips Nickel Plated	
4 Self Adhesive Rubber Feet Included	
Replacement Screws - 1421-J6 (6 pcs.)	

