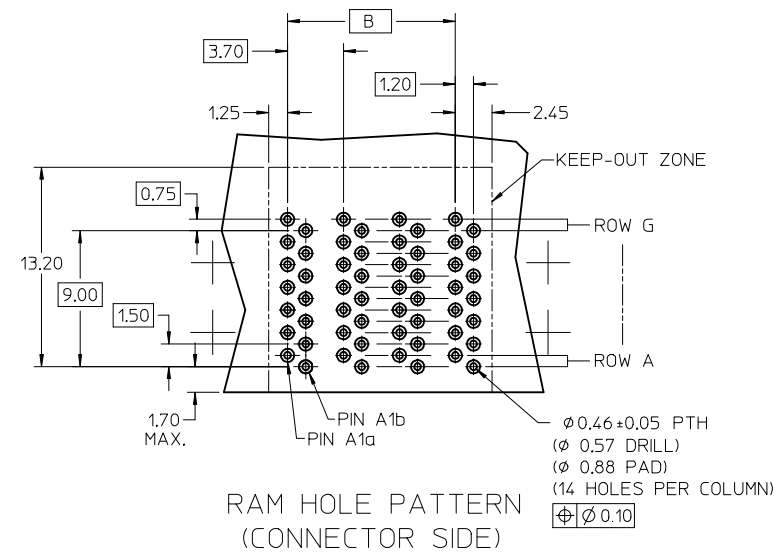
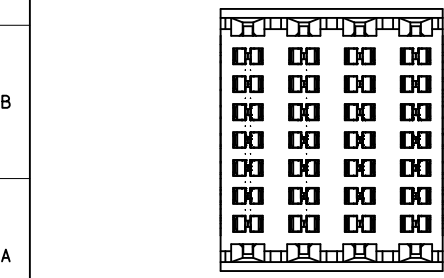


76011-**0*
UNGUIDED,
OPEN ENDED



- NOTES:
1. MATERIALS: HOUSING - LIQUID CRYSTAL POLYMER (LCP), BLACK, UL 94V-0
TERMINALS - HIGH PERFORMANCE COPPER ALLOY
 2. FINISH: SELECTIVE GOLD (Au) IN CONTACT AREA,
SELECTIVE MATTE TIN (Sn) IN TAIL AREA;
NICKEL (Ni) UNDERPLATE OVERALL.
 3. MOLEX PRODUCT SPECIFICATION: PS-75710-999.
 4. THIS PART CONFORMS TO CLASS B REQUIREMENTS OF COSMETIC SPEC PS-45499-002.
 5. PACKAGED PER PK-70873-588.
 6. MAPS (MOLEX ADVANCED PLATING SYSTEM).



STANDARD PIN OPTION
(76011-***3)
(76011-***7)

LEAD FREE CON/MAPS	QUALITY SYMBOLS
EC NO: UCP2013-4120	▽=0
DRW:RWH/PPLE 2013/03/19	▽=0
CHKD:HWL/FE 2013/03/19	▽=0
APPR:SM/LLER 2013/08/05	
REV	DESCRIPTION

GENERAL TOLERANCES (UNLESS SPECIFIED)	
mm	INCH
4 PLACES ± .05	± .002
3 PLACES ± .03	± .001
2 PLACES ± 0.13	± .005
1 PLACE ± 0.25	± .010
0 PLACE ±	±
ANGULAR ± .5°	
DRAFT WHERE APPLICABLE MUST REMAIN WITHIN DIMENSIONS	

DIMENSION STYLE MM ONLY	
DRAWN BY	DATE
ELO	2006/11/13
CHECKED BY	DATE
ELO	2007/02/02
APPROVED BY	DATE
CB IXLER	2007/02/02
MATERIAL NO.	
SEE CHART	

SCALE	DESIGN UNITS	THIRD ANGLE PROJECTION
4:1	METRIC	
TITLE		
I-TRAC 7-ROW RIGHT ANGLE MALE OPEN ASSEMBLY		
molex		
DOCUMENT NO.	SHEET NO.	
SD-76011-001	1 OF 3	
THIS DRAWING CONTAINS INFORMATION THAT IS PROPRIETARY TO MOLEX INCORPORATED AND SHOULD NOT BE USED WITHOUT WRITTEN PERMISSION		

7 6 0 1 1 - * * * *

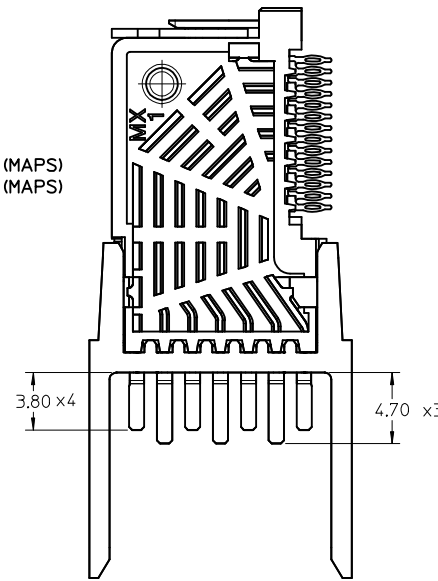
MODULE TYPE -- TAIL PLATING TYPE
 0 = UNGUIDED - MATTE TIN (FORMERLY TIN/LEAD)
 1 = UNGUIDED - MATTE TIN

OF COLUMNS
 6 = 6 COL
 4 = 4 COL
 1 = 10 COL

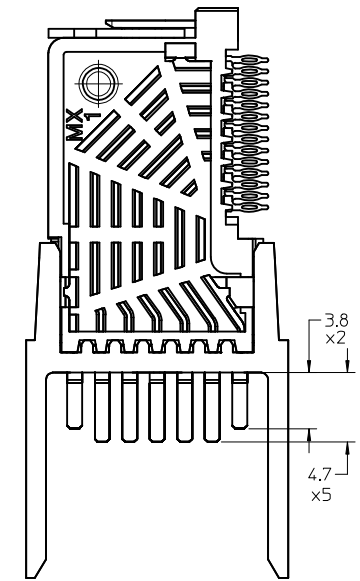
PIN LENGTH (P)
 3 = 4.70 30 GOLD
 5 = 4 X 3.80, 3 X 4.70 STAGGERED 30 GOLD
 6 = 2 X 3.80, 5 X 4.70 STAGGERED 30 GOLD
 7 = 4.70 10 GOLD (MAPS)
 8 = 4 X 3.80, 3 X 4.70 STAGGERED 10 GOLD (MAPS)
 9 = 2 X 3.80, 5 X 4.70 STAGGERED 10 GOLD (MAPS)

ORIENTATION
 GUIDE POST
 0 = OPEN ENDED
 1 = LEFT-END WALL
 2 = RIGHT-END WALL
 3 = DUAL-END WALL

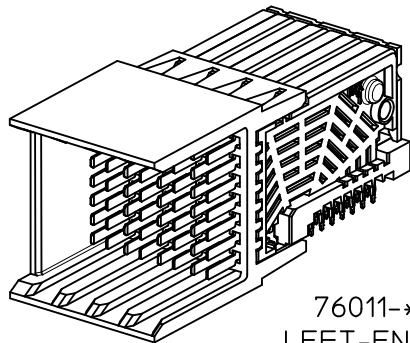
PART NUMBER	# OF COLUMNS	DIM "A" MAX	DIM "B"
76011 - *4**	4	14.70	11.10
76011 - *6**	6	22.20	18.50
76011 - *1**	10	37.00	33.30



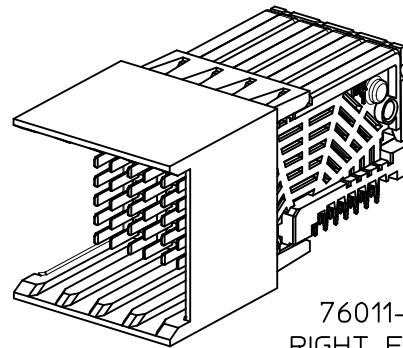
STAGGERED PIN OPTION
 (76011-***5)
 (76011-***8)



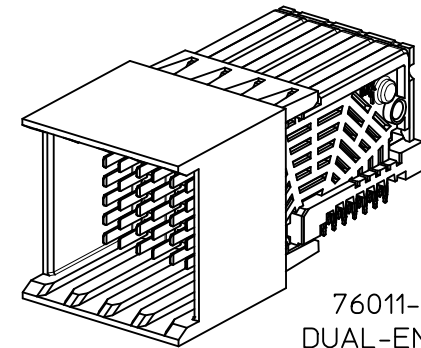
STAGGERED PIN OPTION
 (76011-***6)
 (76011-***9)



76011-***1*
 LEFT-END WALL



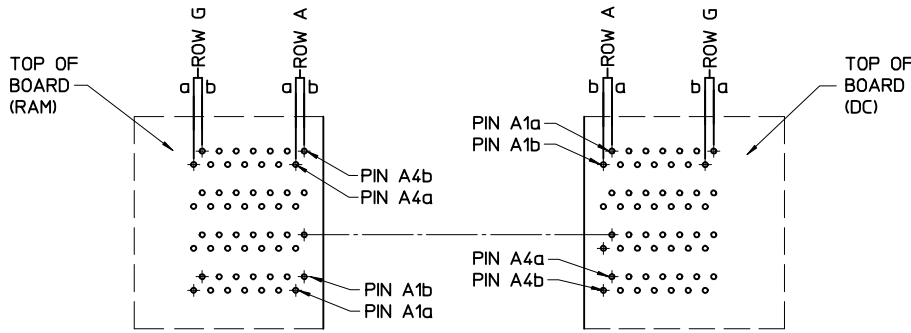
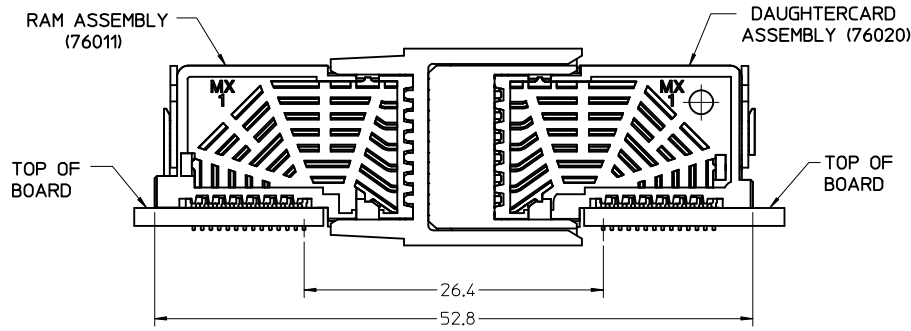
76011-***2*
 RIGHT-END WALL



76011-***3*
 DUAL-END WALL

SEE SHEET 1 EC NO: UCP2013-4120 DRWNR:WHIPPLE 2013/03/19 CHKD:MMOLFE 2013/03/19 APPR:SMILLER 2013/08/05	QUALITY SYMBOLS ▽=0 ▽=0 ▽=0	GENERAL TOLERANCES (UNLESS SPECIFIED)		DIMENSION STYLE MM ONLY		SCALE 4:1	DESIGN UNITS METRIC	THIRD ANGLE PROJECTION			
		4 PLACES ± --- ± ---	3 PLACES ± --- ± ---	2 PLACES ± 0.13 ± ---	1 PLACE ± 0.25 ± ---	0 PLACE ± ±	DRAWN BY ELO	DATE 2006/11/13	TITLE I-TRAC 7-ROW RIGHT ANGLE MALE OPEN ASSEMBLY		
		ANGULAR ± --- °					CHECKED BY ELO	DATE 2007/02/02	APPROVED BY CBIXLER		
		DRAFT WHERE APPLICABLE MUST REMAIN WITHIN DIMENSIONS					MATERIAL NO. SEE CHART	DATE 2007/02/02	DOCUMENT NO. SD-76011-001		SHEET NO. 2 OF 3
THIS DRAWING CONTAINS INFORMATION THAT IS PROPRIETARY TO MOLEX INCORPORATED AND SHOULD NOT BE USED WITHOUT WRITTEN PERMISSION											

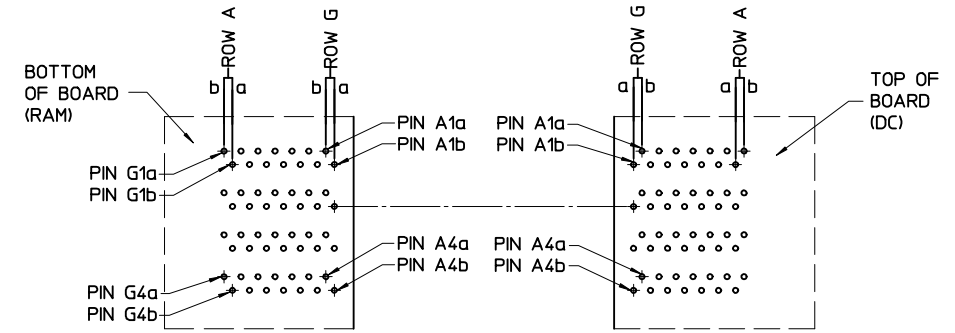
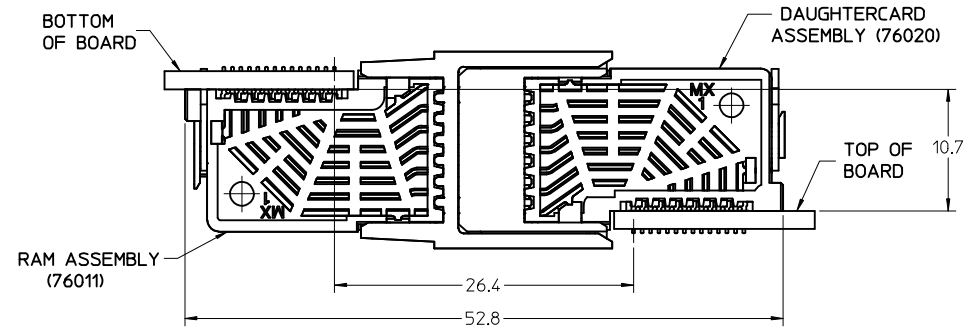
COPLANAR APPLICATION



COPLANAR MATED SIGNAL PATHS

RAM PIN A4b.....	DC PIN A1a
RAM PIN A4a.....	DC PIN A1b
RAM PIN A1b.....	DC PIN A4a
RAM PIN A1a.....	DC PIN A4b

INVERTED APPLICATION



INVERTED MATED SIGNAL PATHS

RAM PIN G1a.....	DC PIN A1a
RAM PIN G1b.....	DC PIN A1b
RAM PIN G4a.....	DC PIN A4a
RAM PIN G4b.....	DC PIN A4b

SEE SHEET 1 EC NO: UCP2013-4120 DRAWN: WHIPPLE 2013/03/19 CHKD: MWOLFE 2013/03/19 APPR: SMILLER 2013/08/05	QUALITY SYMBOLS ▽=0 ▽=0 ▽=0	GENERAL TOLERANCES (UNLESS SPECIFIED) <table border="1"> <tr> <th></th> <th>mm</th> <th>INCH</th> </tr> <tr> <td>4 PLACES</td> <td>± ---</td> <td>± ---</td> </tr> <tr> <td>3 PLACES</td> <td>± ---</td> <td>± ---</td> </tr> <tr> <td>2 PLACES</td> <td>± 0.13</td> <td>± ---</td> </tr> <tr> <td>1 PLACE</td> <td>± 0.25</td> <td>± ---</td> </tr> <tr> <td>0 PLACE</td> <td>±</td> <td>±</td> </tr> </table>		mm	INCH	4 PLACES	± ---	± ---	3 PLACES	± ---	± ---	2 PLACES	± 0.13	± ---	1 PLACE	± 0.25	± ---	0 PLACE	±	±	DIMENSION STYLE MM ONLY	SCALE 4:1	DESIGN UNITS METRIC	THIRD ANGLE PROJECTION
				mm	INCH																			
4 PLACES	± ---	± ---																						
3 PLACES	± ---	± ---																						
2 PLACES	± 0.13	± ---																						
1 PLACE	± 0.25	± ---																						
0 PLACE	±	±																						
DRAFT WHERE APPLICABLE MUST REMAIN WITHIN DIMENSIONS	DRAWN BY DATE ELO 2006/11/13 CHECKED BY DATE ELO 2007/02/02 APPROVED BY DATE CBIXLER 2007/02/02	TITLE I-TRAC 7-ROW RIGHT ANGLE MALE OPEN ASSEMBLY	MATERIAL NO. SEE CHART	DOCUMENT NO. SD-76011-001	SHEET NO. 3 OF 3																			