

Customer Information Sheet

DRAWING No.: M22-274XXXX

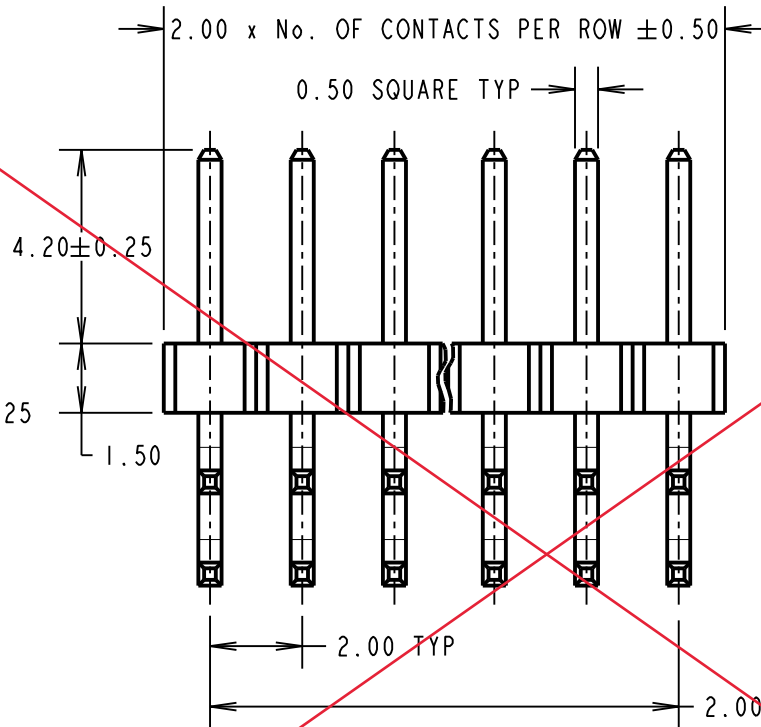
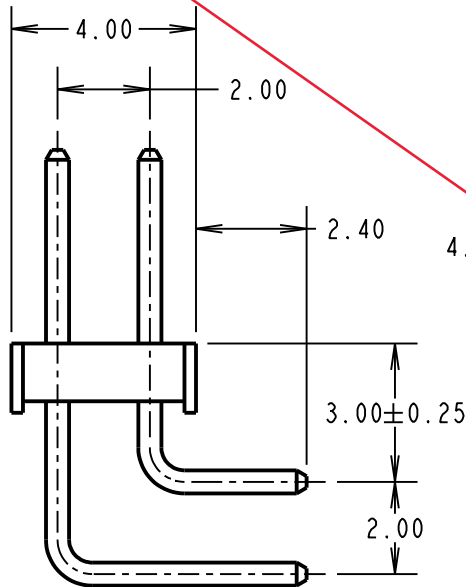
IF IN DOUBT - ASK

©

NOT TO SCALE

THIRD ANGLE PROJECTION

ALL DIMENSIONS IN mm



SPECIFICATIONS:

MATERIAL:

MOULDING = NYLON 6T, UL94V-0, BLACK

CONTACTS = PHOSPHOR BRONZE

FINISH:

05 = GOLD FLASH OVER NICKEL

46 = 100% TIN OVER NICKEL

ELECTRICAL:

CURRENT RATING = 2A

VOLTAGE PROOF = 500V AC FOR ONE MINUTE

CONTACT RESISTANCE = 20mΩ MAX

INSULATION RESISTANCE:

INITIAL = 1,000MΩ MIN

MECHANICAL:

DURABILITY = 300 OPERATIONS MIN

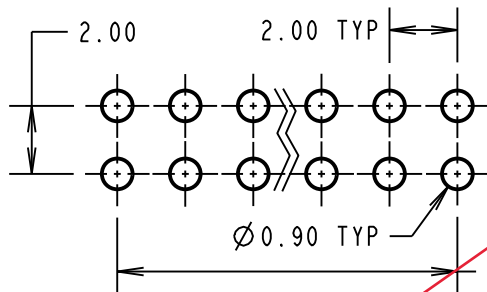
ENVIRONMENTAL:

TEMPERATURE RANGE = -40°C TO +105°C

PACKING:

BAG

FOR COMPLETE SPECIFICATION, SEE COMPONENT SPECIFICATION C018XX (LATEST ISSUE)



RECOMMENDED PCB LAYOUT TOLERANCE ±0.05

OBSOLETE

ORDER CODE: **M22-274XXXX**

No. OF CONTACTS PER ROW: 02 TO 20

FINISH: 05 - GOLD FLASH OVER NICKEL, 46 = 100% TIN OVER NICKEL

MSP	5	21.08.17	20746
NAME	ISS.	DATE	C/NOTE
APPROVED: M.PERREN			
CHECKED: M.PLESTED			
DRAWN: S.BENNETT			
CUSTOMER REF.:			
ASSEMBLY DRG:			

NOTES:
1. ALL TOLERANCES ARE ±0.20 UNLESS OTHERWISE STATED.

HARWIN

www.harwin.com
technical@harwin.com

THIS DRAWING AND ANY INFORMATION OR DESCRIPTIVE MATTER SET OUT HEREON ARE CONFIDENTIAL AND COPYRIGHT PROPERTY OF THE HARWIN GROUP AND MUST NOT BE DISCLOSED, LOANED, COPIED OR USED FOR MANUFACTURING, TENDERING OR FOR ANY OTHER PURPOSE WITHOUT THEIR WRITTEN PERMISSION.

TOLERANCES
X. = ±1mm
X.X = ±0.50mm
X.XX = ±0.10mm
X.XXX = ±0.01mm
ANGLES = ±5°
UNLESS STATED

MATERIAL: SEE ABOVE
FINISH: SEE ABOVE
S/AREA: mm²

TITLE: 2.00mm PITCH DIL HORIZONTAL PC TAIL PIN HDR
DRAWING NUMBER: **M22-274XXXX**
SHT 2 OF 2