

General Specifications

Motor Type: DC Brushless Motor

Motor Protection:

Auto Restart/Polarity Protection
(Motor withstands reverse connection for positive and negative leads.)

Insulation Resistance:

10M Ω or over with a DC500V Megger

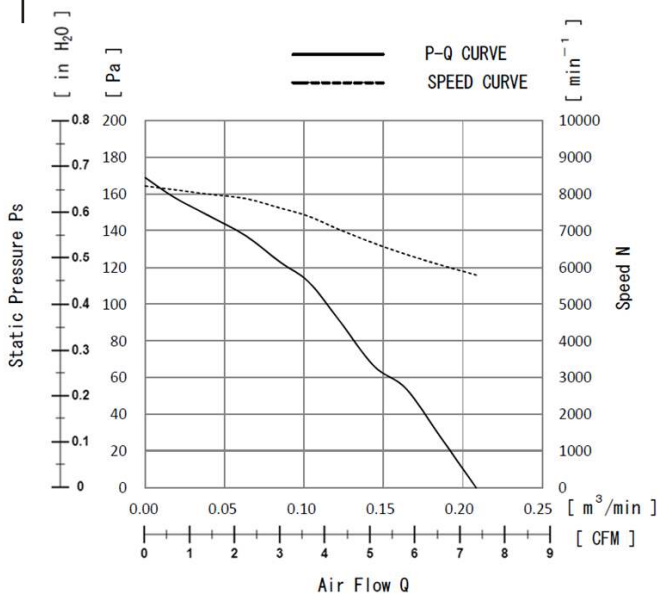
Dielectric Withstand Voltage:

AC 700V 1s or 500V 1min

Allowable Ambient Temperature Range:

-10°C ~ +70°C (Operating)
-40°C ~ +70°C (Storage)
(non-condensing environment)

Characteristics Curves



DC Blower Benefits & Applications

DC Blower

With high static pressure, NMB centrifugal blowers are suitable for cooling electronic systems generating lots of heat and high impedance from back pressure. A DC blower contains a circular impeller within an enclosed cage, which is often referred to as a “squirrel cage”. This design allows DC Blowers to create directed airflow under high pressure conditions. A DC Blower has a more concentrated airflow in which the equipment pulls air in from the sides and forces it out at a concentrated 90° angle.

Benefits

- High pressure and high airflow
- Cost savings with sleeve bearing, yet reliable
- Concentrated airflow to effectively cool target
- Smooth PQ curve with no knee
- Tacho Signal output for speed monitoring

Applications

- Factory Automation
- Humidifiers
- Telecomm
- OA Equipment
- Network Servers
- Home Appliances
- Medical Devices

Life Expectancy L10

40°C 40,000 Hours

Specifications

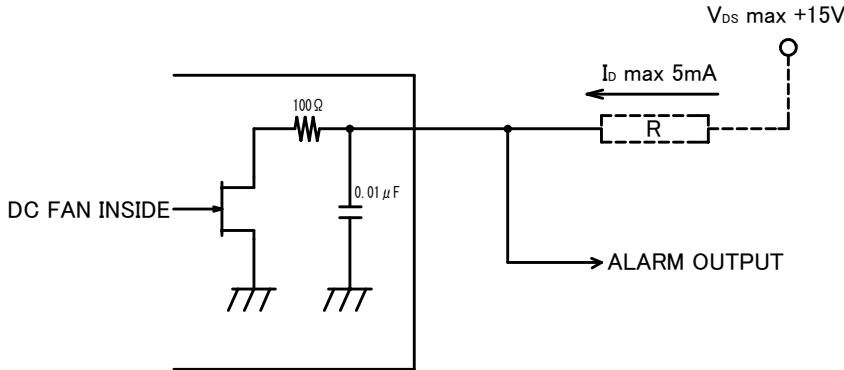
MODEL	Rating Voltage (V)	Operating Voltage (V)	Current		Input Power		Speed (min ⁻¹)*1	Max. Air Flow		Max. Static Pressure		Noise (dB)*1	Mass (g)
			Avg (A)*1	Max (A)*1	Avg (W)*1	Max (W)*1		(CFM)	(m ³ /min)	(in H ₂ O)	(Pa)		
05125GS-12N-ATD-0	12	6.0 ~ 13.8	0.21	0.31	2.52	3.72	5800	7.42	0.21	0.68	170	41.0	40

*1: Values in Free Air

TACHO Specifications

TACHO SIGNAL

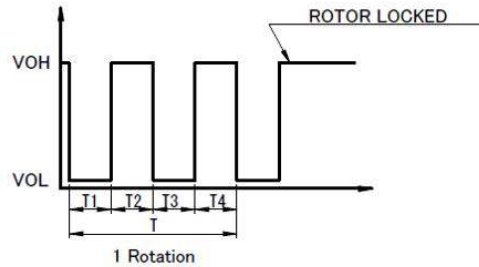
1. OUTPUT CIRCUIT : OPEN COLLECTOR
2. SPECIFICATION
 Absolute Maximum Ratings at Ta=25°C
 $V_{CE\ max} : +15V$
 $I_c\ max : 5mA$ [$V_{DS(sat)max} = 1.4V$]



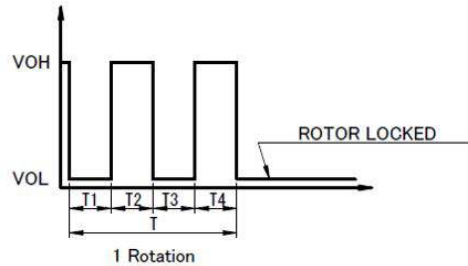
3. OUTPUT WAVEFORM : AT RATED VOLTAGE

4. OUTPUT SIGNAL VOLTAGE

3-1 Case-1



3-2 Case-2



- 1) When the rotor is locked at VOH position of signal, signal keeps VOH position.
- 2) When the rotor is locked at VOL position of signal, signal keeps VOL position.
- 3) $T = T1 + T2 + T3 + T4 = 60 / m = 1\ \text{rotation}$
 $m : \text{Fan Rotation Speed (min}^{-1}\text{)}$
 Tach Duty Cycle = 50% ± 10%

Materials

Casing : Plastic (Black UL94V-0)

Impeller : Plastic (Black UL94V-0)

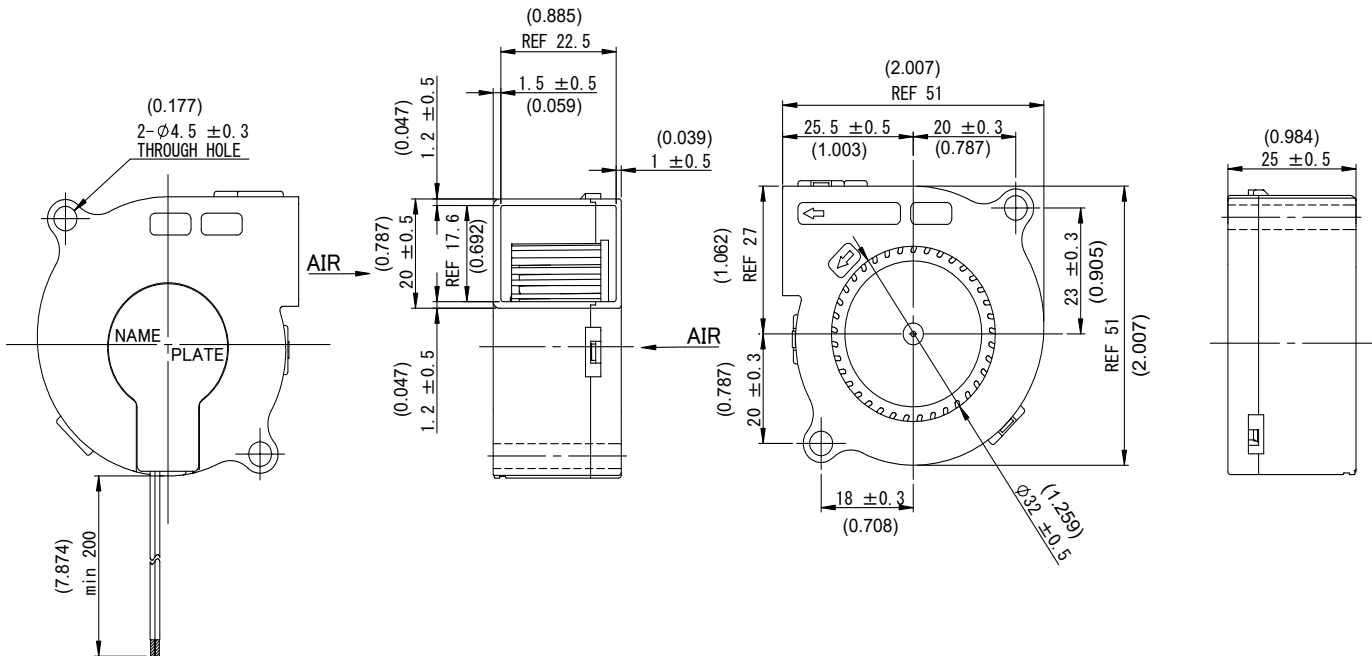
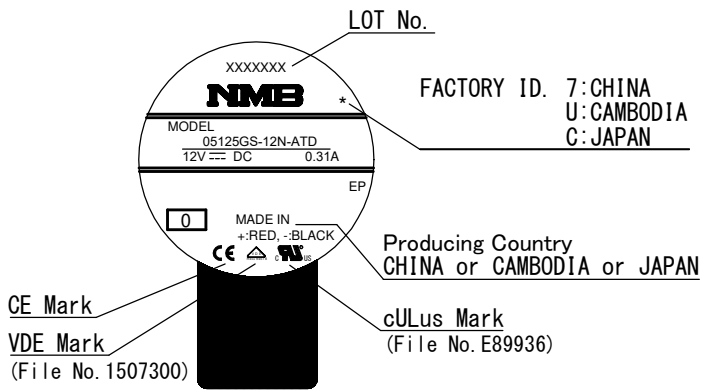
Bearing : Sleeve Bearing

Lead Wire : UL1061 AWG26

(+) : Red (-) : Black Tach: White

Outline

Name Plate



Unit: mm (inch)

General Specifications

Motor Type: DC Brushless Motor

Motor Protection:

Auto Restart/Polarity Protection
(Motor withstands reverse connection for positive and negative leads.)

Insulation Resistance:

10M Ω or over with a DC500V Megger

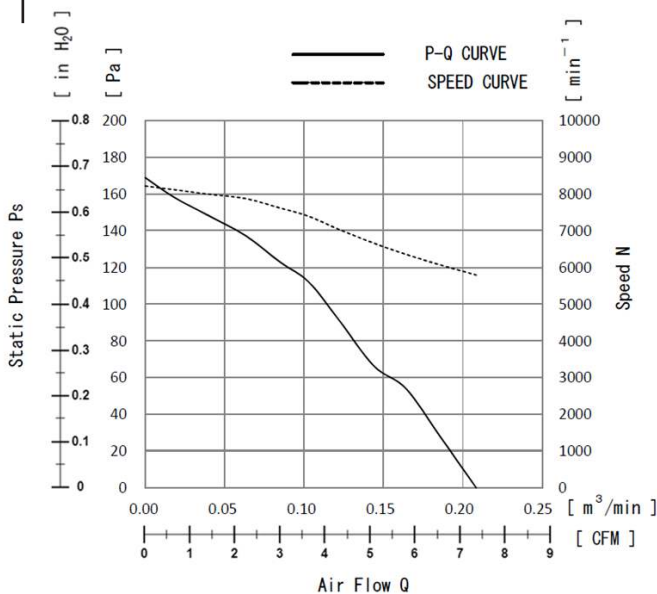
Dielectric Withstand Voltage:

AC 700V 1s or 500V 1min

Allowable Ambient Temperature Range:

-10°C ~ +70°C (Operating)
-40°C ~ +70°C (Storage)
(non-condensing environment)

Characteristics Curves



DC Blower Benefits & Applications

DC Blower

With high static pressure, NMB centrifugal blowers are suitable for cooling electronic systems generating lots of heat and high impedance from back pressure. A DC blower contains a circular impeller within an enclosed cage, which is often referred to as a “squirrel cage”. This design allows DC Blowers to create directed airflow under high pressure conditions. A DC Blower has a more concentrated airflow in which the equipment pulls air in from the sides and forces it out at a concentrated 90° angle.

Benefits

- High pressure and high airflow
- Cost savings with sleeve bearing, yet reliable
- Concentrated airflow to effectively cool target
- Smooth PQ curve with no knee
- Tacho Signal output for speed monitoring

Applications

- Factory Automation
- Humidifiers
- Telecomm
- OA Equipment
- Network Servers
- Home Appliances
- Medical Devices

Life Expectancy L10

40°C 40,000 Hours

Specifications

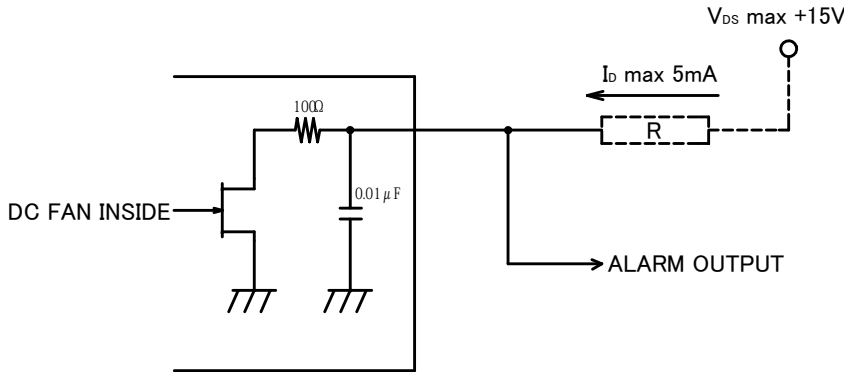
MODEL	Rating Voltage (V)	Operating Voltage (V)	Current		Input Power		Speed (min ⁻¹)*1	Max. Air Flow		Max. Static Pressure		Noise (dB)*1	Mass (g)
			Avg (A)*1	Max (A)*1	Avg (W)*1	Max (W)*1		(CFM)	(m ³ /min)	(in H ₂ O)	(Pa)		
05125GS-24N-ATD-0	24	10.0 ~ 27.6	0.11	0.16	2.64	3.84	5800	7.42	0.21	0.68	170	41.0	40

*1: Values in Free Air

TACHO Specifications

TACHO SIGNAL

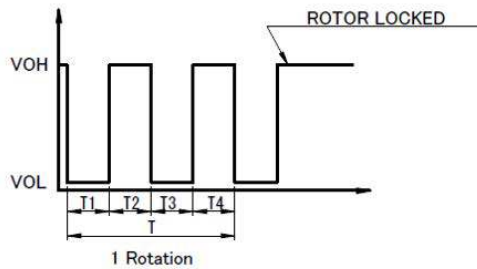
1. OUTPUT CIRCUIT : OPEN COLLECTOR
2. SPECIFICATION
 Absolute Maximum Ratings at Ta=25°C
 $V_{CE\ max} : +15V$
 $I_c\ max : 5mA$ [$V_{DS(sat)max} = 1.4V$]



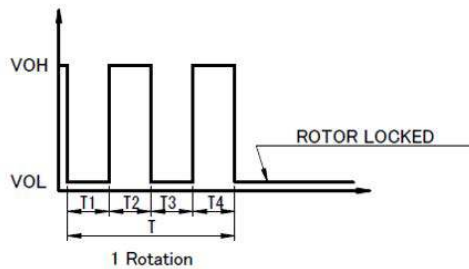
3. OUTPUT WAVEFORM : AT RATED VOLTAGE

4. OUTPUT SIGNAL VOLTAGE

3-1 Case-1



3-2 Case-2



- 1) When the rotor is locked at VOH position of signal, signal keeps VOH position.
- 2) When the rotor is locked at VOL position of signal, signal keeps VOL position.
- 3) $T = T1 + T2 + T3 + T4 = 60 / m = 1\ rotation$
 $m : Fan\ Rotation\ Speed\ (min^{-1})$
 Tach Duty Cycle = $50\% \pm 10\%$

Materials

Casing : Plastic (Black UL94V-0)

Impeller : Plastic (Black UL94V-0)

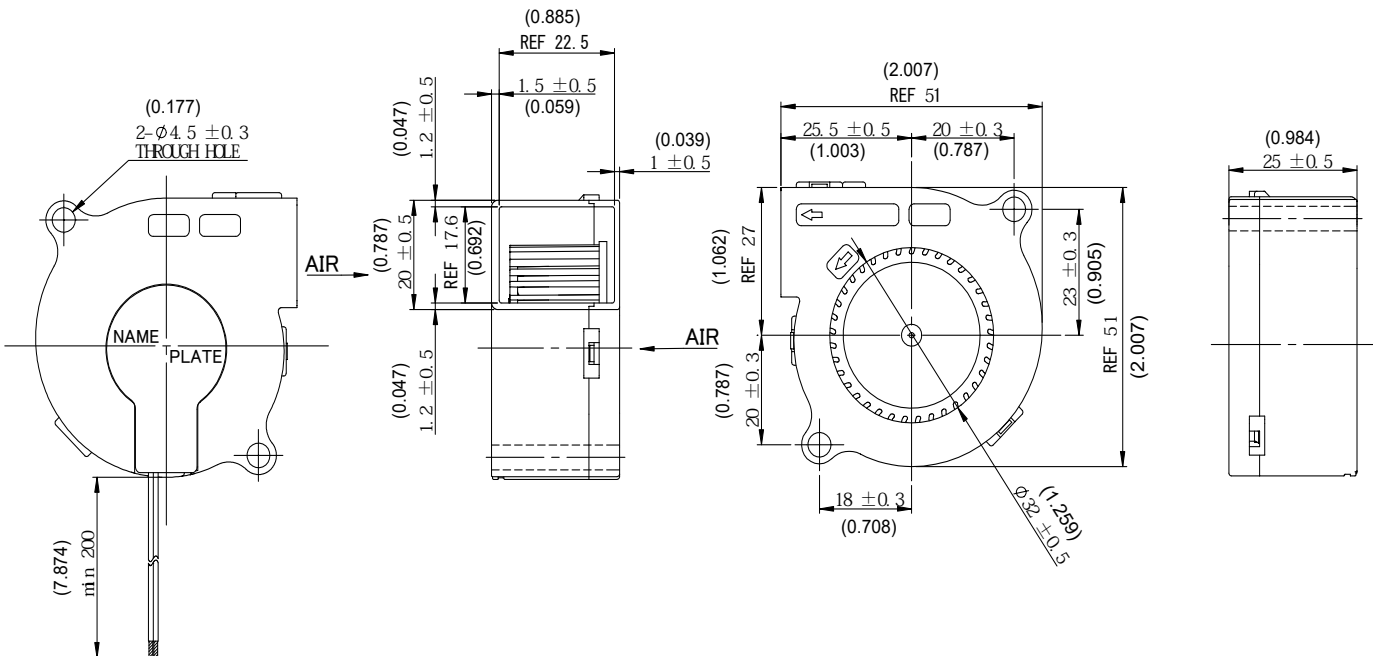
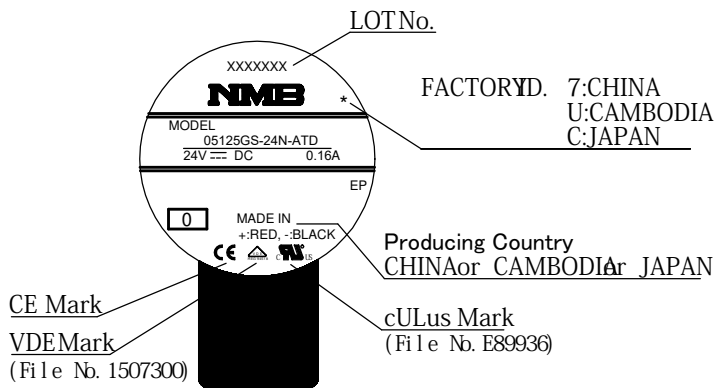
Bearing : Sleeve Bearing

Lead Wire : UL1061 AWG26

(+) : Red (-) : Black Tach: White

Outline

Name Plate



Unit: mm (inch)