

RTO 5-T - Test disconnect terminal block

3049233

<https://www.phoenixcontact.com/us/products/3049233>

Please be informed that the data shown in this PDF document is generated from our online catalog. Please find the complete data in the user documentation. Our general terms of use for downloads are valid.



Disconnect terminal block with bolt connection method, cross section: 0.1 - 6 mm², AWG: 26 - 10, width: 16.3 mm, color: gray

Your advantages

- Four bridge shafts per terminal block
- Terminal point always freely accessible
- Easy bridging and potential distribution using the patented plug-in bridges from the CLIPLINE complete system
- The screws are secured against loosening by captive spring-loaded spacers
- Large-surface labeling options in the terminal center and above the terminal points
- The use of the switching lock effectively prevents unintentional switching

Commercial data

Item number	3049233
Packing unit	1 pc
Minimum order quantity	25 pc
Sales key	BE43
Product key	BE4333
Catalog page	Page 382 (C-1-2019)
GTIN	4046356140010
Weight per piece (including packing)	42.108 g
Weight per piece (excluding packing)	40.614 g
Customs tariff number	85369010
Country of origin	CN

RTO 5-T - Test disconnect terminal block



3049233

<https://www.phoenixcontact.com/us/products/3049233>

Technical data

Notes

General	Note: the BE-RT... path extension is to be used for non-insulated cable lugs (see accessories).
---------	---

Product properties

Product type	Bolt connection terminal block
Number of connections	2
Number of rows	1
Potentials	1

Insulation characteristics

Overvoltage category	III
Degree of pollution	3

Electrical properties

Rated surge voltage	6 kV
Maximum power dissipation for nominal condition	1.31 W

Connection data

Number of connections per level	2
Nominal cross section	6 mm ²
Stripping length	The stripping length depends on the specification provided by the cable lug manufacturer.
Connection in acc. with standard	IEC 60947-7-1
Nominal current	41 A
Maximum load current	41 A (with 6 mm ² conductor cross section)
Nominal voltage	500 V
Nominal cross section	6 mm ²

Disconnect slide

Screw thread	M4
--------------	----

Cable lug connection DIN 46234:1980-03

Connection in acc. with standard	DIN 46234:1980-03
Cross section	0.5 mm ² ... 6 mm ²
Cross section range AWG	20 ... 10 (converted acc. to IEC)
Hole diameter	5.3 mm
Width	10 mm
Bolt diameter	5 mm
Screw thread	M5
Tightening torque	2.5 ... 3 Nm
Connection in acc. with standard	DIN 46237:1970-07
Cross section	1 mm ² ... 6 mm ²

RTO 5-T - Test disconnect terminal block



3049233

<https://www.phoenixcontact.com/us/products/3049233>

Cross section range AWG	16 ... 10 (converted acc. to IEC)
Hole diameter	5.3 mm
Width	10 mm
Bolt diameter	5 mm
Screw thread	M5
Tightening torque	2.5 ... 3 Nm
Identification color of ring cable lugs : red	1 mm ²
Identification color of ring cable lugs : blue	2.5 mm ²
Identification color of ring cable lugs : yellow	6 mm ²

Dimensions

Width	16.3 mm
End cover width	2.2 mm
Height	91.4 mm
Depth on NS 35/7,5	49.9 mm
Depth on NS 35/15	57.4 mm

Material specifications

Color	gray
Flammability rating according to UL 94	V0
Insulating material group	I
Insulating material	PA
Static insulating material application in cold	-60 °C
Temperature index of insulation material (DIN EN 60216-1 (VDE 0304-21))	130 °C
Relative insulation material temperature index (Elec., UL 746 B)	130 °C
Fire protection for rail vehicles (DIN EN 45545-2) R22	HL 1 - HL 3
Fire protection for rail vehicles (DIN EN 45545-2) R23	HL 1 - HL 3
Fire protection for rail vehicles (DIN EN 45545-2) R24	HL 1 - HL 3
Fire protection for rail vehicles (DIN EN 45545-2) R26	HL 1 - HL 3
Calorimetric heat release NFPA 130 (ASTM E 1354)	28 MJ/kg
Surface flammability NFPA 130 (ASTM E 162)	passed
Specific optical density of smoke NFPA 130 (ASTM E 662)	passed
Smoke gas toxicity NFPA 130 (SMP 800C)	passed

Electrical tests

Surge voltage test

Test voltage setpoint	7.3 kV
Result	Test passed

Temperature-rise test

Requirement temperature-rise test	Increase in temperature ≤ 45 K
Result	Test passed
Short-time withstand current 6 mm ²	0.72 kA

RTO 5-T - Test disconnect terminal block



3049233

<https://www.phoenixcontact.com/us/products/3049233>

Result	Test passed
Power-frequency withstand voltage	
Test voltage setpoint	1.89 kV
Result	Test passed

Mechanical properties

Mechanical data

Open side panel	Yes
-----------------	-----

Mechanical tests

Mechanical strength

Result	Test passed
--------	-------------

Attachment on the carrier

DIN rail/fixing support	NS 35
Test force setpoint	5 N
Result	Test passed

Environmental and real-life conditions

Needle-flame test

Time of exposure	30 s
Result	Test passed

Oscillation/broadband noise

Specification	DIN EN 50155 (VDE 0115-200):2008-03
Spectrum	Service life test category 1, class B, body mounted
Frequency	$f_1 = 5 \text{ Hz}$ to $f_2 = 150 \text{ Hz}$
ASD level	$1.857 \text{ (m/s}^2\text{)}^2\text{/Hz}$
Acceleration	0.8g
Test duration per axis	5 h
Test directions	X-, Y- and Z-axis
Result	Test passed

Shocks

Specification	DIN EN 50155 (VDE 0115-200):2008-03
Pulse shape	Half-sine
Acceleration	5g
Shock duration	30 ms
Number of shocks per direction	3
Test directions	X-, Y- and Z-axis (pos. and neg.)
Result	Test passed

Ambient conditions

Ambient temperature (operation)	-60 °C ... 105 °C (max. short-term operating temperature RTI)
---------------------------------	---

RTO 5-T - Test disconnect terminal block



3049233

<https://www.phoenixcontact.com/us/products/3049233>

	Elec.)
Ambient temperature (storage/transport)	-25 °C ... 60 °C (for a short time, not exceeding 24 h, -60 °C to +70 °C)
Ambient temperature (assembly)	-5 °C ... 70 °C
Ambient temperature (actuation)	-5 °C ... 70 °C
Permissible humidity (storage/transport)	30 % ... 70 %

Standards and regulations

Connection in acc. with standard	IEC 60947-7-1
----------------------------------	---------------

Mounting

Mounting type	NS 35/7,5
	NS 35/15
Screw thread	M4

RTO 5-T - Test disconnect terminal block

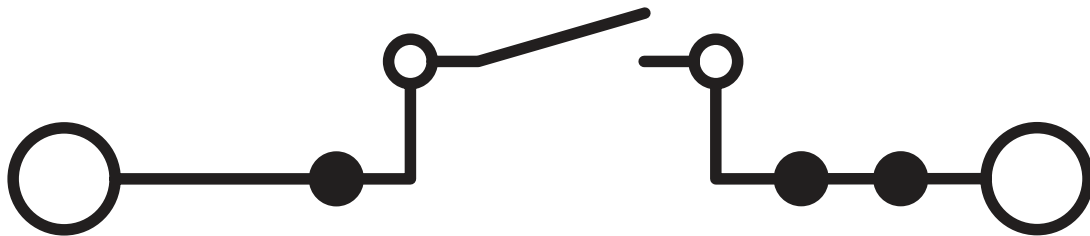


3049233

<https://www.phoenixcontact.com/us/products/3049233>

Drawings

Circuit diagram

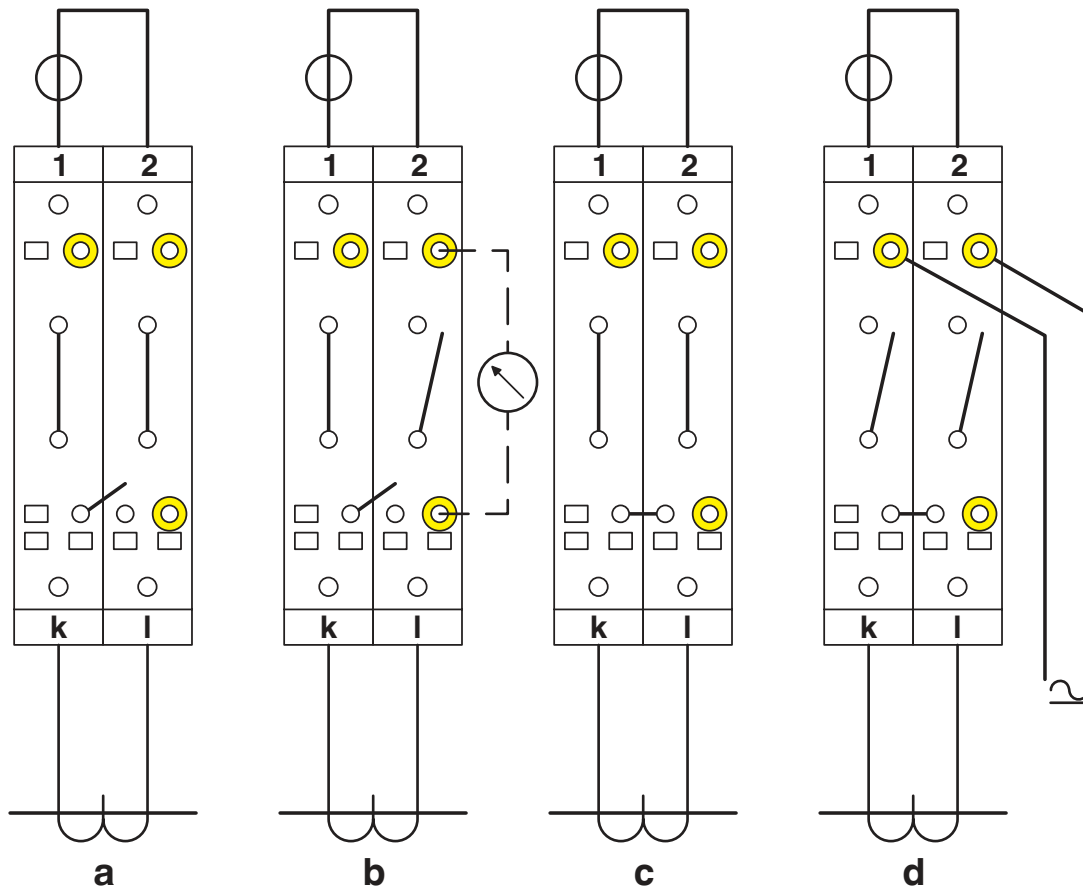


RTO 5-T - Test disconnect terminal block

3049233

<https://www.phoenixcontact.com/us/products/3049233>

Connection diagram



Simple current transformer test circuit

a = normal operation

b = measured value testing

c = transformer testing

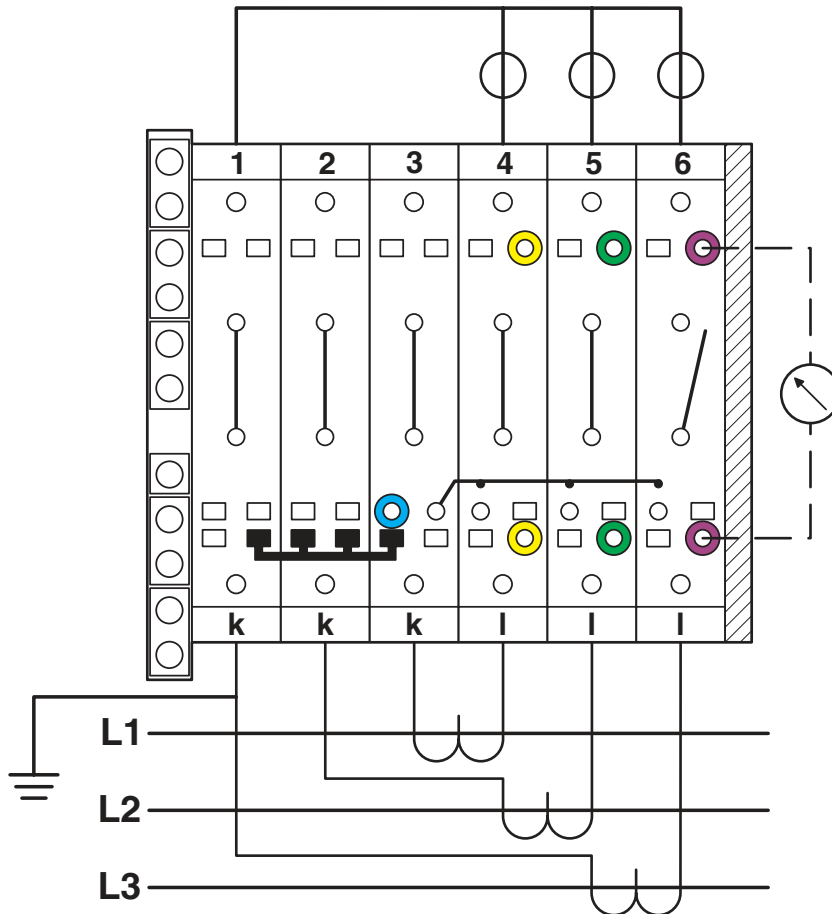
d = relay testing

RTO 5-T - Test disconnect terminal block

3049233

<https://www.phoenixcontact.com/us/products/3049233>

Connection diagram



Three-phase linked transducer test set

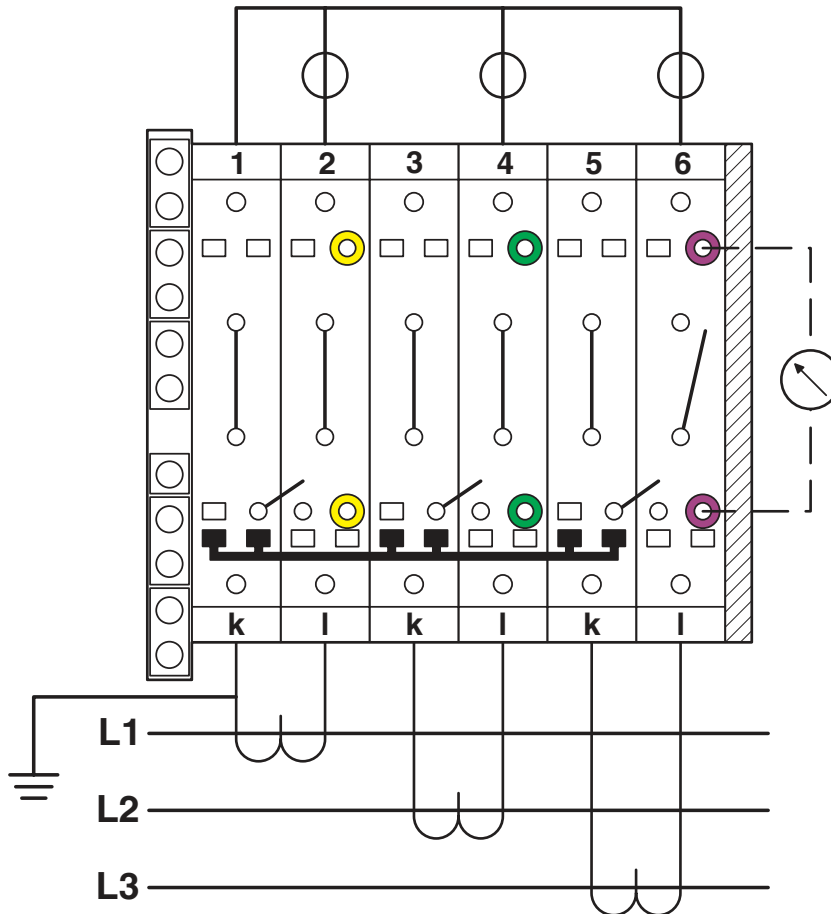
RTO 5-T - Test disconnect terminal block

3049233

<https://www.phoenixcontact.com/us/products/3049233>



Connection diagram



Three-phase transducer test set

RTO 5-T - Test disconnect terminal block



3049233

<https://www.phoenixcontact.com/us/products/3049233>

Approvals

To download certificates, visit the product detail page: <https://www.phoenixcontact.com/us/products/3049233>



EAC

Approval ID: RU C-DE.A*30.B.01742



EAC

Approval ID: RU C-DE.BL08.B.00540



cULus Recognized

Approval ID: E60425

	Nominal voltage U_N	Nominal current I_N	Cross section AWG	Cross section mm^2
Use group B	600 V	30 A	-	-
Use group C	600 V	30 A	-	-

RTO 5-T - Test disconnect terminal block



3049233

<https://www.phoenixcontact.com/us/products/3049233>

Classifications

ECLASS

ECLASS-11.0	27141126
ECLASS-12.0	27141126
ECLASS-13.0	27250101

ETIM

ETIM 8.0	EC000902
----------	----------

UNSPSC

UNSPSC 21.0	39121400
-------------	----------

RTO 5-T - Test disconnect terminal block



3049233

<https://www.phoenixcontact.com/us/products/3049233>

Environmental product compliance


China RoHS	Environmentally friendly use period: unlimited = EFUP-e
	No hazardous substances above threshold values

RTO 5-T - Test disconnect terminal block

3049233

<https://www.phoenixcontact.com/us/products/3049233>

Accessories

 Note: Applying some accessories below might limit this product.


FBS 2-8 - Plug-in bridge

3030284

<https://www.phoenixcontact.com/us/products/3030284>



Plug-in bridge, pitch: 8.2 mm, number of positions: 2, color: red

 Max. current carrying capacity: 41 A

FBS 3-8 - Plug-in bridge

3030297

<https://www.phoenixcontact.com/us/products/3030297>



Plug-in bridge, pitch: 8.2 mm, number of positions: 3, color: red

 Max. current carrying capacity: 41 A

RTO 5-T - Test disconnect terminal block

3049233

<https://www.phoenixcontact.com/us/products/3049233>




FBS 4-8 - Plug-in bridge

3030307

<https://www.phoenixcontact.com/us/products/3030307>



Plug-in bridge, pitch: 8.2 mm, number of positions: 4, color: red

 Max. current carrying capacity: 41 A


FBS 5-8 - Plug-in bridge

3030310

<https://www.phoenixcontact.com/us/products/3030310>



Plug-in bridge, pitch: 8.2 mm, number of positions: 5, color: red

 Max. current carrying capacity: 41 A

RTO 5-T - Test disconnect terminal block

3049233

<https://www.phoenixcontact.com/us/products/3049233>



FBS 10-8 - Plug-in bridge

3030323

<https://www.phoenixcontact.com/us/products/3030323>



Plug-in bridge, pitch: 8.2 mm, number of positions: 10, color: red

 Max. current carrying capacity: 41 A

FBSR 2-8 - Plug-in bridge

3033808

<https://www.phoenixcontact.com/us/products/3033808>



Plug-in bridge, pitch: 8.2 mm, number of positions: 2, color: red

 Max. current carrying capacity: 32 A

RTO 5-T - Test disconnect terminal block

3049233

<https://www.phoenixcontact.com/us/products/3049233>



FBSR 3-8 - Plug-in bridge

3001597

<https://www.phoenixcontact.com/us/products/3001597>



Plug-in bridge, pitch: 8.2 mm, number of positions: 3, color: red

 Max. current carrying capacity: 32 A


FBSR 4-8 - Plug-in bridge

3000585

<https://www.phoenixcontact.com/us/products/3000585>



Plug-in bridge, pitch: 8.2 mm, number of positions: 4, color: red

 Max. current carrying capacity: 32 A

RTO 5-T - Test disconnect terminal block

3049233

<https://www.phoenixcontact.com/us/products/3049233>



FBSR 5-8 - Plug-in bridge

3033809

<https://www.phoenixcontact.com/us/products/3033809>



Plug-in bridge, pitch: 8.2 mm, number of positions: 5, color: red

 Max. current carrying capacity: 32 A

FBSR 10-8 - Plug-in bridge

3001599

<https://www.phoenixcontact.com/us/products/3001599>



Plug-in bridge, pitch: 8.2 mm, number of positions: 10, color: red

 Max. current carrying capacity: 32 A

RTO 5-T - Test disconnect terminal block

3049233

<https://www.phoenixcontact.com/us/products/3049233>



FBSRH 2-8 - Short-circuit connector

3033802

<https://www.phoenixcontact.com/us/products/3033802>



Short-circuit connector, pitch: 8.2 mm, number of positions: 2, color: red

 Max. current carrying capacity: 32 A

FBSRH 3-8 - Short-circuit connector

3033803

<https://www.phoenixcontact.com/us/products/3033803>



Short-circuit connector, pitch: 8.2 mm, number of positions: 3, color: red

 Max. current carrying capacity: 32 A

RTO 5-T - Test disconnect terminal block

3049233

<https://www.phoenixcontact.com/us/products/3049233>




FBSRH 4-8 - Short-circuit connector

3033804

<https://www.phoenixcontact.com/us/products/3033804>



Short-circuit connector, pitch: 8.2 mm, number of positions: 4, color: red

 Max. current carrying capacity: 32 A


FBS 2-8 CT - Plug-in bridge

3033830

<https://www.phoenixcontact.com/us/products/3033830>



Plug-in bridge, pitch: 8.2 mm, number of positions: 2, color: orange

 Max. current carrying capacity: 41 A

RTO 5-T - Test disconnect terminal block

3049233

<https://www.phoenixcontact.com/us/products/3049233>



FBS 3-8 CT - Plug-in bridge

3033831

<https://www.phoenixcontact.com/us/products/3033831>



Plug-in bridge, pitch: 8.2 mm, number of positions: 3, color: orange

 Max. current carrying capacity: 41 A


FBS 4-8 CT - Plug-in bridge

3033832

<https://www.phoenixcontact.com/us/products/3033832>



Plug-in bridge, pitch: 8.2 mm, number of positions: 4, color: orange

 Max. current carrying capacity: 41 A

RTO 5-T - Test disconnect terminal block

3049233

<https://www.phoenixcontact.com/us/products/3049233>



FBS 10-8 CT - Plug-in bridge

3033833

<https://www.phoenixcontact.com/us/products/3033833>



Plug-in bridge, pitch: 8.2 mm, number of positions: 10, color: orange

 Max. current carrying capacity: 41 A


FBS 2-8 BU - Plug-in bridge

3032567

<https://www.phoenixcontact.com/us/products/3032567>



Plug-in bridge, pitch: 8.2 mm, number of positions: 2, color: blue

 Max. current carrying capacity: 41 A

RTO 5-T - Test disconnect terminal block

3049233

<https://www.phoenixcontact.com/us/products/3049233>



FBS 3-8 BU - Plug-in bridge

3032570

<https://www.phoenixcontact.com/us/products/3032570>



Plug-in bridge, pitch: 8.2 mm, number of positions: 3, color: blue

 Max. current carrying capacity: 41 A


FBS 4-8 BU - Plug-in bridge

3032583

<https://www.phoenixcontact.com/us/products/3032583>



Plug-in bridge, pitch: 8.2 mm, number of positions: 4, color: blue

 Max. current carrying capacity: 41 A

RTO 5-T - Test disconnect terminal block

3049233

<https://www.phoenixcontact.com/us/products/3049233>




FBS 5-8 BU - Plug-in bridge

3032596

<https://www.phoenixcontact.com/us/products/3032596>



Plug-in bridge, pitch: 8.2 mm, number of positions: 5, color: blue

 Max. current carrying capacity: 41 A


FBS 6-8 BU - Plug-in bridge

3032677

<https://www.phoenixcontact.com/us/products/3032677>



Plug-in bridge, pitch: 8.2 mm, number of positions: 6, color: blue

 Max. current carrying capacity: 41 A

RTO 5-T - Test disconnect terminal block

3049233

<https://www.phoenixcontact.com/us/products/3049233>




FBS 10-8 BU - Plug-in bridge

3032606

<https://www.phoenixcontact.com/us/products/3032606>



Plug-in bridge, pitch: 8.2 mm, number of positions: 10, color: blue

 Max. current carrying capacity: 41 A


SB-MER 2-8 - Switching jumper

3000587

<https://www.phoenixcontact.com/us/products/3000587>



Switching jumper, pitch: 8.2 mm, number of positions: 2, length: 25 mm, color: gray/orange

 Max. current carrying capacity: 25 A

RTO 5-T - Test disconnect terminal block

3049233

<https://www.phoenixcontact.com/us/products/3049233>



RB UT 6-ST(2,5/4) - Reducing bridge

3047264

<https://www.phoenixcontact.com/us/products/3047264>



Reducing bridge, pitch: 9.5 mm, number of positions: 2, length: 33 mm, color: red

 Max. current carrying capacity: 35 A

RB UT 6-(2,5/4) - Reducing bridge

3047251

<https://www.phoenixcontact.com/us/products/3047251>



Reducing bridge, pitch: 9.5 mm, number of positions: 2, length: 25 mm, color: red

 Max. current carrying capacity: 40 A

RTO 5-T - Test disconnect terminal block

3049233

<https://www.phoenixcontact.com/us/products/3049233>

D-RT 5-T - End cover

3049291

<https://www.phoenixcontact.com/us/products/3049291>

End cover, length: 90.4 mm, width: 2.2 mm, height: 90.4 mm, color: gray



TPNS-UK - Partition plate

0706647

<https://www.phoenixcontact.com/us/products/0706647>

Partition plate, length: 80 mm, width: 2 mm, height: 80 mm, color: gray



RTO 5-T - Test disconnect terminal block

3049233

<https://www.phoenixcontact.com/us/products/3049233>



BE-RT 3/5 - Path extension

3049819

<https://www.phoenixcontact.com/us/products/3049819>



Path extension, color: gray

SHN 8 - Tool

1209868

<https://www.phoenixcontact.com/us/products/1209868>



Socket wrench, wrench size 8 mm

RTO 5-T - Test disconnect terminal block

3049233

<https://www.phoenixcontact.com/us/products/3049233>



S-RT 5-T - Switching lock

3049330

<https://www.phoenixcontact.com/us/products/3049330>



Switching lock, length: 15.65 mm, width: 8.3 mm, height: 15.65 mm, color: white

TS-UT 6-T/SP - Separating plate

3072821

<https://www.phoenixcontact.com/us/products/3072821>



Separating plate, length: 105.2 mm, width: 1 mm, height: 105.2 mm, color: gray

RTO 5-T - Test disconnect terminal block

3049233

<https://www.phoenixcontact.com/us/products/3049233>

NS 35/ 7,5 PERF 2000MM - DIN rail perforated

0801733

<https://www.phoenixcontact.com/us/products/0801733>



DIN rail perforated, acc. to EN 60715, material: Steel, galvanized, passivated with a thick layer, Standard profile, color: silver, Pack of 25 (50 m)

NS 35/ 7,5 UNPERF 2000MM - DIN rail, unperforated

0801681

<https://www.phoenixcontact.com/us/products/0801681>



DIN rail, unperforated, acc. to EN 60715, material: Steel, galvanized, passivated with a thick layer, Standard profile, color: silver, Pack of 25 (50 m)

RTO 5-T - Test disconnect terminal block

3049233

<https://www.phoenixcontact.com/us/products/3049233>



NS 35/ 7,5 WH PERF 2000MM - DIN rail perforated

1204119

<https://www.phoenixcontact.com/us/products/1204119>



DIN rail perforated, acc. to EN 60715, material: Steel, Galvanized, white passivated, Standard profile, color: silver, Pack of 25 (50 m)

NS 35/ 7,5 WH UNPERF 2000MM-VPE 10 - DIN rail, unperforated

1204122

<https://www.phoenixcontact.com/us/products/1204122>



DIN rail, unperforated, acc. to EN 60715, material: Steel, Galvanized, white passivated, Standard profile, color: silver, Pack of 10 (20 m)

RTO 5-T - Test disconnect terminal block

3049233

<https://www.phoenixcontact.com/us/products/3049233>

NS 35/ 7,5 AL UNPERF 2000MM - DIN rail, unperforated

0801704

<https://www.phoenixcontact.com/us/products/0801704>



DIN rail, unperforated, acc. to EN 60715, material: Aluminum, uncoated, Standard profile, color: silver, Pack of 25 (50 m)

NS 35/ 7,5 ZN PERF 2000MM - DIN rail perforated

1206421

<https://www.phoenixcontact.com/us/products/1206421>



DIN rail perforated, acc. to EN 60715, material: Steel, galvanized, Standard profile, color: silver, Pack of 25 (50 m)

RTO 5-T - Test disconnect terminal block

3049233

<https://www.phoenixcontact.com/us/products/3049233>

NS 35/ 7,5 ZN UNPERF 2000MM - DIN rail, unperforated

1206434

<https://www.phoenixcontact.com/us/products/1206434>



DIN rail, unperforated, acc. to EN 60715, material: Steel, galvanized, Standard profile, color: silver, Pack of 25 (50 m)

NS 35/ 7,5 CU UNPERF 2000MM-VPE 10 - DIN rail, unperforated

0801762

<https://www.phoenixcontact.com/us/products/0801762>



DIN rail, unperforated, acc. to EN 60715, material: Copper, uncoated, Standard profile, color: copper-colored, Pack of 10 (20 m)

RTO 5-T - Test disconnect terminal block

3049233

<https://www.phoenixcontact.com/us/products/3049233>



NS 35/ 7,5 CAP - End cap

1206560

<https://www.phoenixcontact.com/us/products/1206560>

DIN rail end piece, for DIN rail NS 35/7.5



NS 35/15 PERF 2000MM - DIN rail perforated

1201730

<https://www.phoenixcontact.com/us/products/1201730>



DIN rail perforated, similar to EN 60715, material: Steel, galvanized, passivated with a thick layer, Standard profile, color: silver, Pack of 25 (50 m)

RTO 5-T - Test disconnect terminal block



3049233

<https://www.phoenixcontact.com/us/products/3049233>

NS 35/15 UNPERF 2000MM - DIN rail, unperforated

1201714

<https://www.phoenixcontact.com/us/products/1201714>



DIN rail, unperforated, similar to EN 60715, material: Steel, galvanized, passivated with a thick layer, Standard profile, color: silver, Pack of 25 (50 m)

NS 35/15 WH PERF 2000MM - DIN rail perforated

0806602

<https://www.phoenixcontact.com/us/products/0806602>



DIN rail perforated, similar to EN 60715, material: Steel, Galvanized, white passivated, Standard profile, color: white, Pack of 25 (50 m)

RTO 5-T - Test disconnect terminal block

3049233

<https://www.phoenixcontact.com/us/products/3049233>



NS 35/15 WH UNPERF 2000MM-VPE 10 - DIN rail, unperforated

1204135

<https://www.phoenixcontact.com/us/products/1204135>



DIN rail, unperforated, similar to EN 60715, material: Steel, Galvanized, white passivated, Standard profile, color: silver, Pack of 10 (20 m)

NS 35/15 AL UNPERF 2000MM - DIN rail, unperforated

1201756

<https://www.phoenixcontact.com/us/products/1201756>



DIN rail, unperforated, similar to EN 60715, material: Aluminum, uncoated, Standard profile, color: silver

RTO 5-T - Test disconnect terminal block

3049233

<https://www.phoenixcontact.com/us/products/3049233>

NS 35/15 ZN PERF 2000MM - DIN rail perforated

1206599

<https://www.phoenixcontact.com/us/products/1206599>



DIN rail perforated, similar to EN 60715, material: Steel, galvanized, Standard profile, color: silver, Pack of 25 (50 m)

NS 35/15 ZN UNPERF 2000MM - DIN rail, unperforated

1206586

<https://www.phoenixcontact.com/us/products/1206586>



DIN rail, unperforated, similar to EN 60715, material: Steel, galvanized, Standard profile, color: silver, Pack of 25 (50 m)

RTO 5-T - Test disconnect terminal block

3049233

<https://www.phoenixcontact.com/us/products/3049233>



NS 35/15 CU UNPERF 2000MM-VPE 10 - DIN rail, unperforated

1201895

<https://www.phoenixcontact.com/us/products/1201895>



DIN rail, unperforated, similar to EN 60715, material: Copper, uncoated, Standard profile, color: copper-colored, Pack of 10 (20 m)

NS 35/15 CAP - End cap

1206573

<https://www.phoenixcontact.com/us/products/1206573>

DIN rail end piece, for DIN rail NS 35/15



RTO 5-T - Test disconnect terminal block

3049233

<https://www.phoenixcontact.com/us/products/3049233>



NS 35/15-2,3 UNPERF 2000MM-VPE 10 - DIN rail, unperforated

1201798

<https://www.phoenixcontact.com/us/products/1201798>



DIN rail, unperforated, acc. to EN 60715, material: Steel, galvanized, passivated with a thick layer, Standard profile 2.3 mm, color: silver, Pack of 10 (20 m)

ZB 16:UNPRINTED - Zack marker strip

0827461

<https://www.phoenixcontact.com/us/products/0827461>



Zack marker strip, Strip, white, unlabeled, can be labeled with: PLOTMARK, CMS-P1-PLOTTER, mounting type: snapped, for terminal block width: 16 mm, lettering field size: 16 x 10.5 mm, Number of individual labels: 50

RTO 5-T - Test disconnect terminal block

3049233

<https://www.phoenixcontact.com/us/products/3049233>

ZB 16 CUS - Zack marker strip

0827463

<https://www.phoenixcontact.com/us/products/0827463>



Zack marker strip, can be ordered: Strip, white, labeled according to customer specifications, mounting type: snap into tall marker groove, for terminal block width: 16 mm, lettering field size: 10.5 x 16 mm, Number of individual labels: 5

ZB 16,LGS:L1-N,PE - Zack marker strip

0827462

<https://www.phoenixcontact.com/us/products/0827462>



Zack marker strip, Strip, white, labeled, printed horizontally: L1, L2, L3, N, PE, mounting type: snapped, for terminal block width: 16.3 mm, lettering field size: 10.5 x 16.25 mm, Number of individual labels: 5

RTO 5-T - Test disconnect terminal block



3049233

<https://www.phoenixcontact.com/us/products/3049233>

UC-TM 16 - Marker for terminal blocks

0819217

<https://www.phoenixcontact.com/us/products/0819217>



Marker for terminal blocks, Sheet, white, unlabeled, can be labeled with: BLUEMARK ID COLOR, BLUEMARK ID, BLUEMARK CLED, PLOTMARK, CMS-P1-PLOTTER, mounting type: snapped, for terminal block width: 16 mm, lettering field size: 15.45 x 10.5 mm, Number of individual labels: 32

UC-TM 16 CUS - Marker for terminal blocks

0824621

<https://www.phoenixcontact.com/us/products/0824621>



Marker for terminal blocks, can be ordered: by sheet, white, labeled according to customer specifications, mounting type: snap into tall marker groove, for terminal block width: 16 mm, lettering field size: 15.45 x 10.5 mm, Number of individual labels: 32

RTO 5-T - Test disconnect terminal block



3049233

<https://www.phoenixcontact.com/us/products/3049233>

UCT-TM 16 - Marker for terminal blocks

0829146

<https://www.phoenixcontact.com/us/products/0829146>



Marker for terminal blocks, Sheet, white, unlabeled, can be labeled with: TOPMARK NEO, TOPMARK LASER, BLUEMARK ID COLOR, BLUEMARK ID, BLUEMARK CLED, THERMOMARK PRIME, THERMOMARK CARD 2.0, THERMOMARK CARD, mounting type: snapped, for terminal block width: 16 mm, lettering field size: 14.8 x 9.6 mm, Number of individual labels: 18

UCT-TM 16 CUS - Marker for terminal blocks

0829637

<https://www.phoenixcontact.com/us/products/0829637>



Marker for terminal blocks, can be ordered: by sheet, white, labeled according to customer specifications, mounting type: snap into tall marker groove, for terminal block width: 16 mm, lettering field size: 14.8 x 9.6 mm, Number of individual labels: 18

RTO 5-T - Test disconnect terminal block



3049233

<https://www.phoenixcontact.com/us/products/3049233>

ZB 16,3:UNPRINTED - Zack marker strip

0820222

<https://www.phoenixcontact.com/us/products/0820222>



Zack marker strip, Strip, white, unlabeled, can be labeled with: PLOTMARK, CMS-P1-PLOTTER, mounting type: snapped, for terminal block width: 16.3 mm, lettering field size: 10.5 x 16.25 mm, Number of individual labels: 5

ZB 16,3 CUS - Zack marker strip

0824946

<https://www.phoenixcontact.com/us/products/0824946>



Zack marker strip, can be ordered: Strip, white, labeled according to customer specifications, mounting type: snap into tall marker groove, for terminal block width: 16.3 mm, lettering field size: 10.5 x 16.25 mm, Number of individual labels: 5

RTO 5-T - Test disconnect terminal block

3049233

<https://www.phoenixcontact.com/us/products/3049233>



MPS-MT - Test plugs

0201744

<https://www.phoenixcontact.com/us/products/0201744>



Test plugs, with solder connection up to 1 mm² conductor cross section, number of positions: 1, color: gray

MPS-IH WH - Insulating sleeve

0201663

<https://www.phoenixcontact.com/us/products/0201663>

Insulating sleeve, color: white



RTO 5-T - Test disconnect terminal block

3049233

<https://www.phoenixcontact.com/us/products/3049233>



MPS-IH RD - Insulating sleeve

0201676

<https://www.phoenixcontact.com/us/products/0201676>

Insulating sleeve, color: red



MPS-IH BU - Insulating sleeve

0201689

<https://www.phoenixcontact.com/us/products/0201689>

Insulating sleeve, color: blue



RTO 5-T - Test disconnect terminal block

3049233

<https://www.phoenixcontact.com/us/products/3049233>



MPS-IH YE - Insulating sleeve

0201692

<https://www.phoenixcontact.com/us/products/0201692>

Insulating sleeve, color: yellow



MPS-IH GN - Insulating sleeve

0201702

<https://www.phoenixcontact.com/us/products/0201702>

Insulating sleeve, color: green



RTO 5-T - Test disconnect terminal block

3049233

<https://www.phoenixcontact.com/us/products/3049233>



MPS-IH GY - Insulating sleeve

0201728

<https://www.phoenixcontact.com/us/products/0201728>

Insulating sleeve, color: gray



MPS-IH BK - Insulating sleeve

0201731

<https://www.phoenixcontact.com/us/products/0201731>

Insulating sleeve, color: black



RTO 5-T - Test disconnect terminal block

3049233

<https://www.phoenixcontact.com/us/products/3049233>



PAI-4-N GY - Test adapter

3032871

<https://www.phoenixcontact.com/us/products/3032871>



4 mm test adapter, for terminal blocks with 5.2 mm, 6.2 mm and 8.2 mm pitch

PS-8 - Test plugs

3031005

<https://www.phoenixcontact.com/us/products/3031005>



Test plugs, Modular test plug, number of positions: 1, color: red

RTO 5-T - Test disconnect terminal block



3049233

<https://www.phoenixcontact.com/us/products/3049233>

DP PS-8 - Spacer plate

3036741

<https://www.phoenixcontact.com/us/products/3036741>



Spacer plate, length: 22.4 mm, width: 8.2 mm, height: 22.4 mm, number of positions: 1, color: red

PS-8/2,3MM RD - Test plugs

3048564

<https://www.phoenixcontact.com/us/products/3048564>



Test plugs, number of positions: 1, color: red

RTO 5-T - Test disconnect terminal block

3049233

<https://www.phoenixcontact.com/us/products/3049233>

CLIPFIX 35 - End clamp

3022218

<https://www.phoenixcontact.com/us/products/3022218>



Quick mounting end clamp for NS 35/7,5 DIN rail or NS 35/15 DIN rail, with marking option, width: 9.5 mm, color: gray

CLIPFIX 35-5 - End clamp

3022276

<https://www.phoenixcontact.com/us/products/3022276>



Quick mounting end clamp for NS 35/7,5 DIN rail or NS 35/15 DIN rail, with marking option, with parking option for FBS...5, FBS...6, KSS 5, KSS 6, width: 5.15 mm, color: gray

RTO 5-T - Test disconnect terminal block

3049233

<https://www.phoenixcontact.com/us/products/3049233>



E/NS 35 N - End clamp

0800886

<https://www.phoenixcontact.com/us/products/0800886>

End clamp, width: 9.5 mm, color: gray



E/UK - End clamp

1201442

<https://www.phoenixcontact.com/us/products/1201442>

End clamp, material: PA, color: gray, Mounting on a DIN rail NS 32 or NS 35



RTO 5-T - Test disconnect terminal block

3049233

<https://www.phoenixcontact.com/us/products/3049233>



E/UK 1 - End clamp

1201413

<https://www.phoenixcontact.com/us/products/1201413>



End clamps, for supporting the ends of double-level and three-level terminal blocks, width: 10 mm, color: gray

Phoenix Contact 2023 © - all rights reserved

<https://www.phoenixcontact.com>

Phoenix Contact USA
586 Fulling Mill Road
Middletown, PA 17057, United States
(+717) 944-1300
info@phoenixcon.com