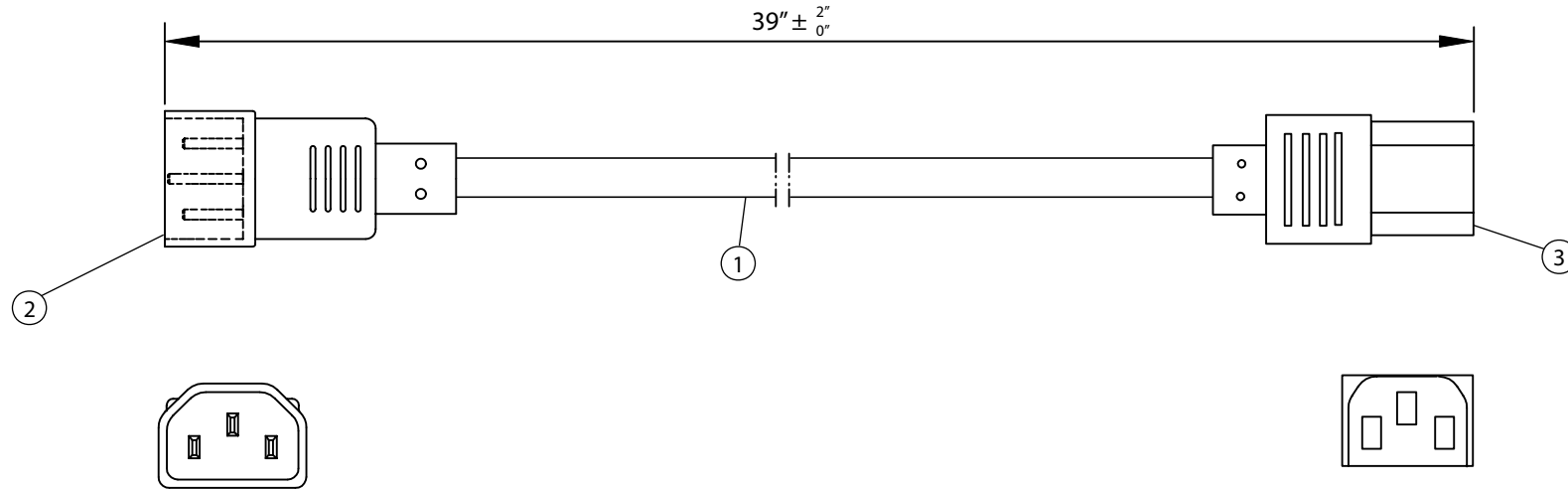


THESE DRAWINGS ARE THE PROPERTY OF QUALTEK ELECTRONICS AND NOT TO BE REPRODUCED FOR OR COMMUNICATED TO A THIRD PARTY WITHOUT THE EXPRESS WRITTEN PERMISSION OF AN OFFICER OF QUALTEK ELECTRONICS.

REVISION			
REV.	DESCRIPTION	DATE	APPROVED



NOTES:

1. CORDAGE: SVT, 18AWG / 3C, SHIELDED W/MYLAR FOIL, CEE COLOR CODE, TEMP. RATING: 60°C, RATING: 250V, 10A, JACKET COLOR: BLACK
2. PLUG: IEC 60320 C14
3. CONNECTOR: IEC 60320 C13
4. APPROVALS: UL, CSA
5. ROHS COMPLIANT

CONTROLLED

		Qualtek Electronics Corp.								
		PPC DIVISION								
		Part Number:	318009-01	RoHS Compliant						
		Description:								
		POWER CORD								
Dim range (mm)	Tolerance +/- (mm)	UNIT: in								
0-1	0.15	<table border="1" style="width: 100%; border-collapse: collapse;"> <tr> <td>Drawn / Date</td> <td>Checked / Date</td> <td>Approved / Date</td> </tr> <tr> <td>R.Nuti 08-09-13</td> <td>08-09-13</td> <td>LY / 08-09-13</td> </tr> </table>			Drawn / Date	Checked / Date	Approved / Date	R.Nuti 08-09-13	08-09-13	LY / 08-09-13
Drawn / Date	Checked / Date				Approved / Date					
R.Nuti 08-09-13	08-09-13				LY / 08-09-13					
1-6	0.20									
6-18	0.30									
18-50	0.50									
50-120	0.70									
120-250	0.90									
250-500	1.20									