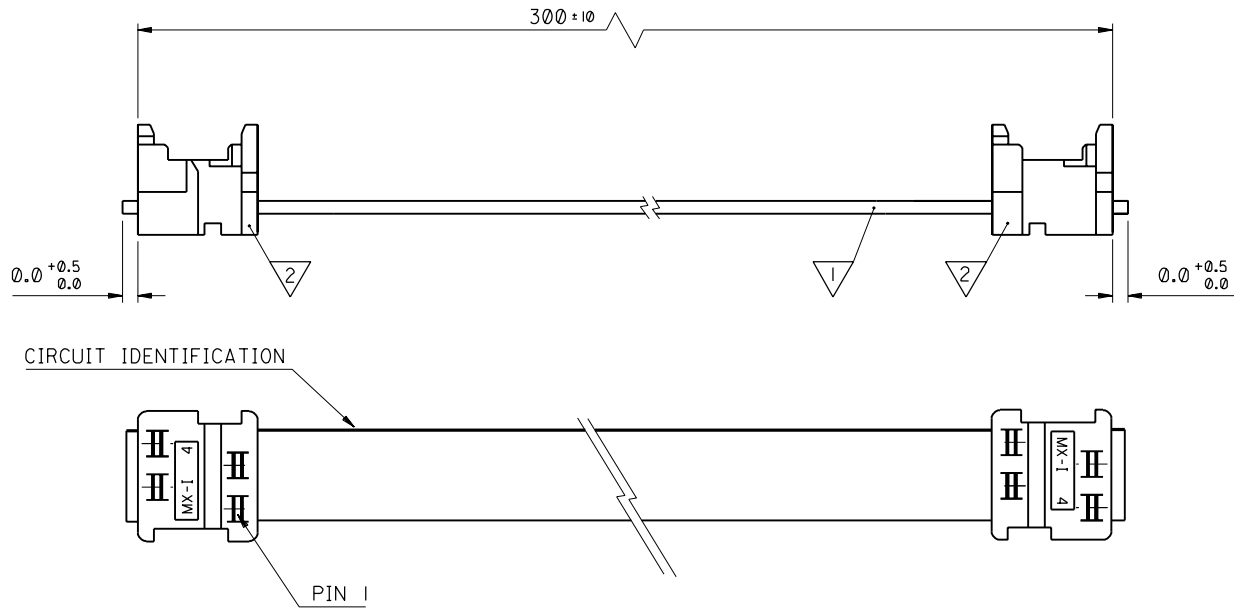


PART NO. 92301-0119  
 DWG. NO. SD-92301-183



| ITEM | COMPONENT  | DESCRIPTION                                  | QTY | NOTE    |
|------|------------|--|-----|---------|
| 1    | 99026-0024 | 4 CCT 28 AWG STRANDED<br>TINNED RIBBON CABLE | 1   | 3, 4    |
| 2    | 90327-0353 | PICOFLEX FEMALE IDT CONNECTOR                | 2   | 1, 2, 4 |

NOTES:

1. SEE PRODUCT SPECIFICATIONS PS-99020-0011.
2. SEE TERMINATION SPECIFICATION ES-99033-0001.
3. SEE CABLE SPECIFICATION ES-99027-0006.
4. HARNESSES TO BE 100% ELECTRICALLY TESTED.

|  |   |  |  |  |                                    |
|--|---|--|--|--|------------------------------------|
| ORIGINAL RELEASE<br>EC NO. 1999-0540<br>DRWN: D.RYAN 99/06/22<br>CHK: / / / /<br>APPR: / / / /<br>AI | QUALITY SYMBOLS<br>MAJOR = ▾<br>CRITICAL = ▽<br>C = ▽ | GENERAL TOLERANCES:<br>(UNLESS SPECIFIED)<br>mm    INCH<br>4 PLACES ±0.    ±.<br>3 PLACES ±0.    ±.<br>2 PLACES ±0.    ±.<br>1 PLACE ±0.    ±.<br>ANGULAR: ± 1/2 ° | SCALE 1 : 1<br>DESIGN UNITS<br><input checked="" type="checkbox"/> mm <input type="checkbox"/> INCH<br>DRAWN BY & DATE<br>D.RYAN 99/06/01<br>CHECKED BY & DATE<br>BENRIGHT 99/06/01<br>APPROVED BY & DATE<br>MWILHITE 99/06/01<br>CAD FILENAME | DIMENSIONS:<br><input type="checkbox"/> mm <input type="checkbox"/> INCH <input checked="" type="checkbox"/> mm ONLY<br>THIRD ANGLE PROJECTION<br>TITLE: 4 CCT RIBBON CABLE<br>HARNESS<br>NOKIA DISPLAY P/N QMI064<br>MOLEX INCORPORATED | SHT 1<br>REV<br>REVISE ON CAD ONLY |
|  | DRAFT WHERE APPLICABLE MUST REMAIN WITHIN DIMENSIONS  | THIS DRAWING CONTAINS INFORMATION THAT IS PROPRIETARY TO MOLEX INCORPORATED AND SHOULD NOT BE USED WITHOUT WRITTEN PERMISSION.                                     | MATERIAL NO. 92301-0119<br>DRAWING NO. SD-92301-183<br>SHEET NO. 1 OF 1<br>SIZE B  |  |                                    |