

## **Not Recommended for New Designs**

---

This product was manufactured for Maxim by an outside wafer foundry using a process that is no longer available. It is not recommended for new designs. The data sheet remains available for existing users.

A Maxim replacement or an industry second-source may be available. Please see the QuickView data sheet for this part or contact technical support for assistance.

For further information, [contact Maxim's Applications Tech Support](#).

EVALUATION KIT MANUAL  
FOLLOWS DATA SHEET

# MAXIM

## 5V/3.3V/3V/Adjustable-Output, 1A, Step-Down, PWM, Switch-Mode DC-DC Regulators

### General Description

The MAX830/MAX831/MAX832/MAX833 are monolithic, bipolar, pulse-width-modulation (PWM), switch-mode, step-down DC-DC regulators. Each is rated at 1A. Very few external components are needed for standard operation because the power switch, oscillator, feedback, and control circuitry are all on-chip. Employing a classic buck topology, these regulators perform high-current step-down functions.

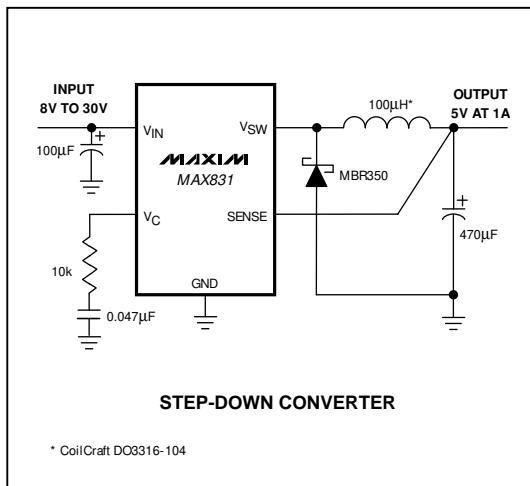
These regulators have excellent dynamic and transient response characteristics, while featuring cycle-by-cycle current limiting to protect against overcurrent faults and short-circuit output faults. They have a wide 8V to 30V input range. Outputs for the MAX831/MAX832/MAX833 are fixed at 5V/3.3V/3V, respectively. The MAX830 output is adjustable.

Available in 16-pin SO packages, the MAX830-MAX833 have a preset 100kHz oscillator frequency. In addition, the preset current limit and micropower shutdown can be externally controlled. See the MAX724/MAX726 data sheet for more applications information.

### Applications

Distributed Power from High-Voltage Buses  
High-Current, High-Voltage Step-Down Applications  
Multiple-Output Buck Converter

### Typical Operating Circuit



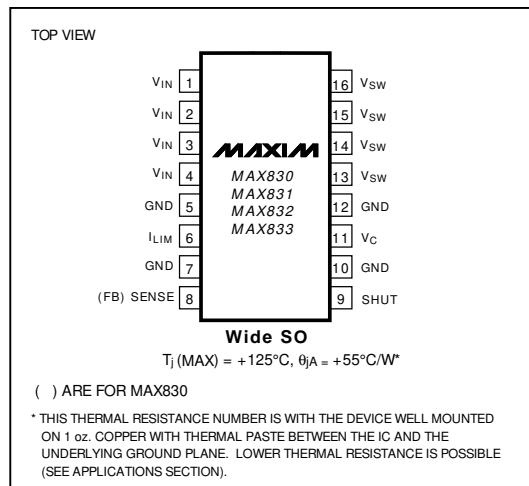
### Features

- ♦ Input Range: Up to 30V
- ♦ 1A On-Chip Power Switch
- ♦ Adjustable Output (MAX830)
  - Fixed Outputs: 5V (MAX831)
  - 3.3V (MAX832)
  - 3V (MAX833)
- ♦ 100kHz Switching Frequency
- ♦ Excellent Dynamic Characteristics
- ♦ Few External Components
- ♦ 8mA Quiescent Current
- ♦ 16-Pin SO Package
- ♦ Evaluation Kit Available

### Ordering Information

PART	TEMP. RANGE	PIN-PACKAGE
MAX830CWE	0°C to +70°C	16 Wide SO
MAX831CWE	0°C to +70°C	16 Wide SO
MAX832CWE	0°C to +70°C	16 Wide SO
MAX833CWE	0°C to +70°C	16 Wide SO

### Pin Configuration



MAX830-MAX833

MAXIM

Maxim Integrated Products 1

Call toll free 1-800-998-8800 for free samples or literature.

# 5V/3.3V/3V/Adjustable-Output, 1 A, Step-Down, PWM, Switch-Mode DC-DC Regulators

## ABSOLUTE MAXIMUM RATINGS

Input Voltage .....	40V	I <sub>LIM</sub> Voltage (forced).....	5.5V
Switch Voltage with Respect to Input Voltage.....	50V	Operating Temperature Range.....	0°C to +70°C
Switch Voltage with Respect to GND (V <sub>SW</sub> negative) (Note 1).....	20V	Junction Temperature Range .....	0°C to +125°C
FB/SENSE Voltage .....	-0.3V, +10V	Storage Temperature Range .....	-65°C to +160°C
SHUT Voltage (not to exceed V <sub>IN</sub> ).....	30V	Lead Temperature (soldering, 10sec).....	+300°C

**Note 1:** Do not exceed switch-to-input voltage limitation.

Stresses beyond those listed under "Absolute Maximum Ratings" may cause permanent damage to the device. These are stress ratings only, and functional operation of the device at these or any other conditions beyond those indicated in the operational sections of the specifications is not implied. Exposure to absolute maximum rating conditions for extended periods may affect device reliability.

## ELECTRICAL CHARACTERISTICS

(V<sub>IN</sub> = 25V, T<sub>A</sub> = T<sub>MIN</sub> to T<sub>MAX</sub>, unless otherwise noted. Typical values are at T<sub>A</sub> = +25°C.)

PARAMETER	CONDITIONS		MIN	TYP	MAX	UNITS
Input Supply Voltage Range			8		30	V
Switch-On Voltage (Note 2)	I <sub>SW</sub> = 0.2A				1.1	V
	I <sub>SW</sub> = 1A				1.4	
Switch-Off Leakage	V <sub>IN</sub> = 25V, V <sub>SW</sub> = 0V	T <sub>A</sub> = +25°C			150	μA
	V <sub>IN</sub> = 30V, V <sub>SW</sub> = 0V				250	
Supply Current (Note 3)	V <sub>IN</sub> ≤ 30V, V <sub>SENSE</sub> = 5.5V (MAX831/MAX832/MAX833) or V <sub>FB</sub> = 2.5V (MAX830)			8	11	mA
	V <sub>SHUT</sub> = 0.1V (Note 4)			140	500	μA
Minimum Supply Voltage (Note 5)	Normal mode			7.3	8.0	V
	Startup mode			3.5	4.8	
Switch-Current Limit (Note 6)	I <sub>LIM</sub> open		1.2	1.7	2.2	A
	R <sub>LIM</sub> = 10kΩ (Note 7)	T <sub>A</sub> = +25°C		1.2		
	R <sub>LIM</sub> = 7kΩ (Note 7)			0.8		
Maximum Duty Cycle			85	90		%
Switching Frequency	T <sub>A</sub> = +25°C		90	100	110	kHz
	V <sub>FB</sub> or V <sub>SENSE</sub> = 0V (Note 6)		85		120	
Switching-Frequency Line Regulation	8V ≤ V <sub>IN</sub> ≤ 30V			0.03	0.10	%/V
Error-Amplifier Voltage Gain	1V ≤ V <sub>C</sub> ≤ 4V			2000		V/V
Error-Amplifier Transconductance	T <sub>A</sub> = +25°C		3000	5000	9000	μmho
Error-Amplifier Source Current	V <sub>FB</sub> = 2.0V (MAX830) or V <sub>SENSE</sub> = 2.0V (MAX831/832/833)	T <sub>A</sub> = +25°C	100	140	225	μA
Error-Amplifier Sink Current	V <sub>FB</sub> = 2.5V (MAX830) or V <sub>SENSE</sub> = 5.5V (MAX831/832/833)	T <sub>A</sub> = +25°C	0.6	1.0	1.7	mA

# 5V/3.3V/3V/Adjustable-Output, 1A, Step-Down, PWM, Switch-Mode DC-DC Regulators

## ELECTRICAL CHARACTERISTICS (continued)

( $V_{IN} = 25V$ ,  $T_A = T_{MIN}$  to  $T_{MAX}$ , unless otherwise noted. Typical values are at  $T_A = +25^\circ C$ .)

PARAMETER	CONDITIONS	MIN	TYP	MAX	UNIT	
SENSE Voltage	$V_C = 2V$	MAX831	4.85	5.00	5.15	V
		MAX832	3.20	3.30	3.40	
		MAX833	2.90	3.00	3.10	
SENSE Divider Resistance	$T_A = +25^\circ C$	MAX831	3.0	5.0	8.0	k $\Omega$
		MAX832	2.5	4.2	7.0	
		MAX833	2.2	3.8	6.5	
SENSE Voltage Tolerance (Note 8)	$V_{OUT}$ (nominal) = 5V (MAX831), 3.3V (MAX832), or 3V (MAX833)	$T_A = +25^\circ C$		$\pm 0.5$	$\pm 2.0$	%
				$\pm 0.5$	$\pm 3.0$	
FB Bias Current	$V_{FB} = V_{REF}$ (MAX830)		0.5	2.0	$\mu A$	
Reference Voltage	$V_C = 2V$ (MAX830) (Note 9)	2.155	2.21	2.265	V	
Reference Voltage Tolerance (Notes 8, 9)	$V_{REF}$ (nominal = 2.21V) (MAX830)	$T_A = +25^\circ C$		$\pm 0.5$	$\pm 1.5$	%
				$\pm 1.0$	$\pm 2.5$	
Output Voltage Line Regulation	$8V \leq V_{IN} \leq 30V$		0.005	0.020	%/V	
$V_C$ Voltage	0% duty cycle		$T_A = +25^\circ C$	1.5	V	
$V_C$ Voltage Temperature Coefficient	0% duty cycle			-4	mV/ $^\circ C$	
SHUT Current	$V_{SHUT} = 5V$		10	20	$\mu A$	
	$V_{SHUT} = 0.1V$ (shutdown)			50		
SHUT Threshold	(shutdown)	0.10	0.20	0.50	V	

**Note 2:** For switch currents between 0.2A and 1A, maximum switch-on voltage can be calculated via linear interpolation.

**Note 3:** By setting the SENSE pin to 5.5V (or the FB pin to 2.5V), the  $V_C$  pin is forced to its low clamp level and the switch duty cycle is forced to zero, approximating the zero load condition.

**Note 4:** Device shut down. Switch leakage current not included.

**Note 5:** For proper regulation, total voltage from  $V_{IN}$  to GND must be  $\geq 8V$  after start-up. During start-up mode, device is switching but not regulating.

**Note 6:** To avoid extremely short switch-on times, the switch frequency is internally scaled down when  $V_{FB}$  or  $V_{SENSE}$  is less than 1.3V. Switch current limit is tested with  $V_{SENSE}$  or  $V_{FB}$  adjusted to give a 1 $\mu s$  minimum switch-on time.

**Note 7:**  $R_{LIM} = \left[ \frac{I_{LIM}}{1A} \times 7.6k\Omega \right] + 1k\Omega$ . Typical value only. Minimum to maximum deviation in current limit will be  $\pm 30\%$ , comparable to that with  $I_{LIM}$  pin open.

**Note 8:** All conditions of input voltage, output voltage, temperature, and load current.

**Note 9:** FB is at the reference voltage when the MAX830 output voltage is in regulation.

MAX830-MAX833

# 5V/3.3V/3V/Adjustable-Output, 1A, Step-Down, PWM, Switch-Mode DC-DC Regulators

## Pin Description

PIN	NAME	FUNCTION
8	SENSE (MAX831/ 2/3)	For the MAX831/MAX832/MAX833, SENSE input is the internal error amplifier's input, and should be directly connected to V <sub>OUT</sub> . SENSE also aids current limiting by reducing oscillator frequency when V <sub>OUT</sub> is low.
	FB (MAX830)	For the MAX830, the FB input is the internal error amplifier's input, and should be connected to the mid-point of a potential divider between V <sub>OUT</sub> and GND (Figure 1). The output voltage, during regulation, will be that value that forces 2.21V (V <sub>REF</sub> ) at the FB pin.
11	V <sub>C</sub>	Error-amplifier output. A series RC network connected to this pin compensates the device. Output swing is limited to about 5.8V in the positive direction and -0.7V in the negative direction. V <sub>C</sub> can also synchronize the device to an external TTL clock in the 115kHz to 170kHz range.
5, 7, 10, 12	GND	Ground requires a short, low-noise connection to ensure good load regulation. The internal reference is referred to GND, so errors at this pin are multiplied by the error amplifier. Use thick copper for low thermal resistance.
13, 14, 15, 16	V <sub>SW</sub>	Internal power switch output (rated for 1A load current)
1, 2, 3, 4	V <sub>IN</sub>	V <sub>IN</sub> supplies power to the internal circuitry and also connects to the collector of the internal power switch. V <sub>IN</sub> must be bypassed with a low-ESR capacitor, typically 100μF.
6	I <sub>LIM</sub>	Switch-current limit can be reduced by connecting an external resistor (R <sub>LIM</sub> ) from I <sub>LIM</sub> to GND (See Note 7 in <i>Electrical Characteristics</i> ). Leave I <sub>LIM</sub> floating for maximum current limit.
9	SHUT	Shutdown is achieved by pulling SHUT low. Leave SHUT floating for normal operation.

## Applications Information

Although the MAX830-MAX833 are high-efficiency step-down voltage converters, certain precautions are required to avoid excessive chip temperature (the absolute maximum rating for this parameter, T<sub>j</sub>, is +125°C). The 16-pin SO package has thermal resistance of +55°C/W when mounted properly; this limits continuous chip power dissipation to the 1W range.

When installing these chips:

- 1) Use wide and, if possible, thick copper traces to connect the leads (especially the GND pins) to reduce thermal resistance.
- 2) Bond the package firmly to the board or use a clip-style heatsink. A very small drop of thermal paste between the chip package and the copper ground plane is also helpful.
- 3) Confirm that the range of device operation is such that the chip temperature does not exceed the allowed maximum of T<sub>j</sub> = +125°C. This can be determined from Tables 1 and 2.

Tables 1 and 2 show numbers for maximum allowed load current based on not exceeding the T<sub>j</sub> = +125°C limit. If the input voltage range, ambient temperature, and/or output voltage setting allow for an unsafe level of load current, limit the load current to a safe value by connecting the appropriate resistor from the I<sub>LIM</sub> pin to GND. With no external resistor, the preset switch cur-

rent limit (typically 1.7A) will limit the load current to about 1.3A. Table 1 shows safe operating load currents for the MAX830 for various values of input and output voltage and at three different ambient temperatures of T<sub>A</sub> = +25°C, +45°C, and +70°C, respectively. Table 2 shows the same information, but for the fixed output voltage MAX831, MAX832, and MAX833.

When consulting these tables, note that power surges of less than 30sec need not be considered from a thermal standpoint. It is important for proper regulation, however, that a power surge not require a peak switch current exceeding the 1.2A (min) switch current limit. Also, the inductor's current rating should exceed I<sub>PEAK</sub>. For highest efficiency, the inductor series resistance should be 0.4Ω or less. I<sub>PEAK</sub> and I<sub>LOAD</sub> are related by the following formula:

$$I_{PEAK} = I_{LOAD} + \frac{[V_{OUT} \times (V_{IN} - V_{OUT})]}{V_{IN} \times L \times 200,000}$$

Example: MAX830 with V<sub>IN</sub> = 30V, V<sub>OUT</sub> = 15V,  
I<sub>LOAD</sub> = 0.5A continuous, L = 100μH and  
T<sub>A</sub> = +70°C:  
I<sub>PEAK</sub> = 0.86A (which is below 1.2A (min)  
preset switch current limit);  
and from Table 1:  
maximum I<sub>LOAD</sub> allowed = 0.8A continuous  
(i.e., operation is safe).

## 5V/3.3V/3V/Adjustable-Output, 1A, Step-Down, PWM, Switch-Mode DC-DC Regulators

**Table 1. MAX830 Maximum Load Current (continuous with  $\theta_{jA} = +55^{\circ}\text{C/W}$ ) vs. Output Voltage and Ambient Temperature**

OUTPUT VOLTAGE	CONTINUOUS LOAD CURRENT		
	$T_A = +25^{\circ}\text{C}$	$T_A = +45^{\circ}\text{C}$	$T_A = +70^{\circ}\text{C}$
Up to 10V	1A	1A	1A
10V to 15V	1A	1A	0.8A
15V to 20V	1A	0.8A	0.7A
20V to 25V	0.8A	0.7A	0.6A

**Table 2. MAX831/MAX832/MAX833 Maximum Load Current (continuous with  $\theta_{jA} = +55^{\circ}\text{C/W}$ ) vs. Ambient Temperature**

OUTPUT VOLTAGE	CONTINUOUS LOAD CURRENT		
	$T_A = +25^{\circ}\text{C}$	$T_A = +45^{\circ}\text{C}$	$T_A = +70^{\circ}\text{C}$
Fixed: 5V, 3.3V or 3V	1A	1A	1A

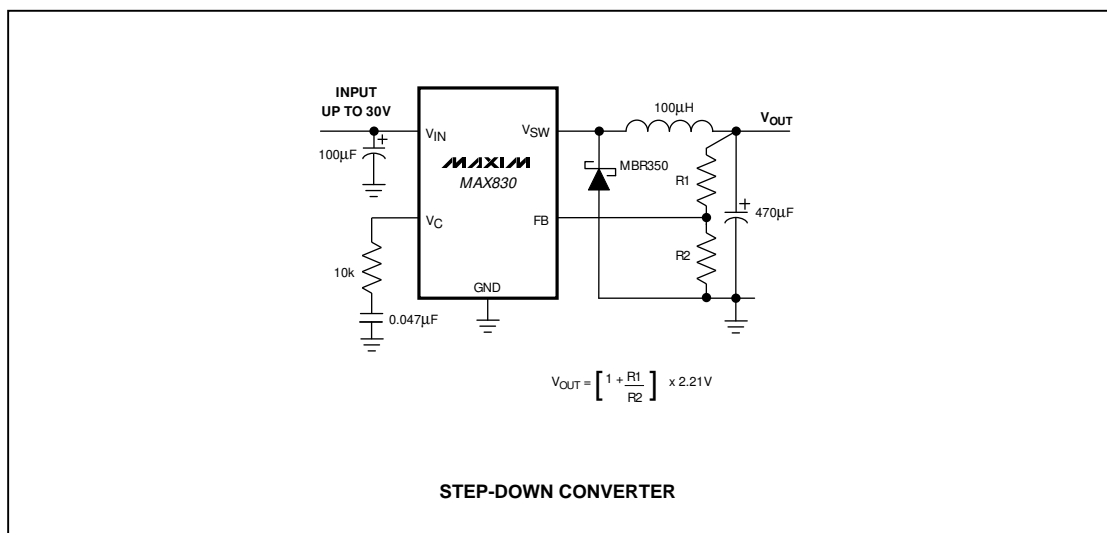


Figure 1. MAX830 Typical Operating Circuit