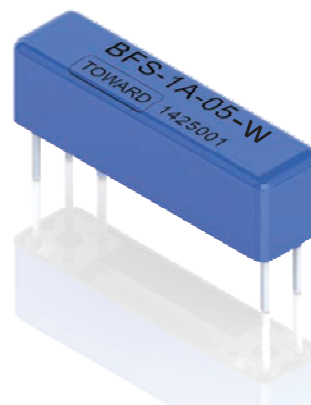


BFS Series

1a, 1c Reed Relays

Features

- High reliability reed relays.
- High Insulation Resistance.
- High speed switching compared to electromechanical relays.
- Hermetically sealed contacts for long life.
- Optional coaxial shield for 50Ω impedance and switching of fast rise time digital pulses.
- Wide operating temperature rang - 40 °Cto +125 °C.
- RoHS compliant.



Order Code

BFS- XX-XX X -W
 a b c d

a : Contact Form : 1A=1 Form A, 1C=1 Form C
 b : Nominal Coil Voltage : 05=5VDC, 12=12VDC
 c : Nil=No Coaxial Shield, C=Coaxial Shield (For 1A type only)
 d : W=Wide Operating Temperature Range

Coil Data-Standard Type (at 20°C)

Part Number	Nominal Voltage DC ± 10% [V]	Coil Resistance ± 10% [ohm]	Nominal Current [mA]	Must Release Voltage MIN. [V] at 20°C	Must Operate Voltage MAX. [V] at 20°C
BFS-1A-W	5	100	50.0	0.4	2.5
	12	550	21.8	1.0	6.7
BFS-1C-W	5	100	50.0	0.4	2.5
	12	550	21.8	1.0	6.7

Contact Specifications

Contact Form	1 Form A	1 Form C
Contact Rating	10W	3W
Max.Switching Voltage	200V	100V
Max.Switching Current	0.5A	0.25A
Max.Carry Current	1.0A	0.5A
Max.Static Contact Resistance 50mV,10mA	100mΩ	150mΩ
Max.Dynamic Contact Resistance 0.5V,50mA at 100Hz,1.5msec	200mΩ	200mΩ



Electrical Specifications

Contact Form		1 Form A	1 Form C
Breakdown Voltage	Between contacts	250VDC	200VDC
	Contacts to shield	250VDC	N/A
	Contacts / shield to coil	1500VDC	1500VDC
Insulation Resistance(at 100V, 25°C, 40%RH)		10 ¹² Ω	10 ¹¹ Ω
Capacitance-Typical	Shield Floating	0.9pF	0.9pF
	Across Open Contacts	0.2pF	N/A
Operate Time Including bounce - Typical		0.5mS	1.0mS
Release Time		0.1mS	2.0mS

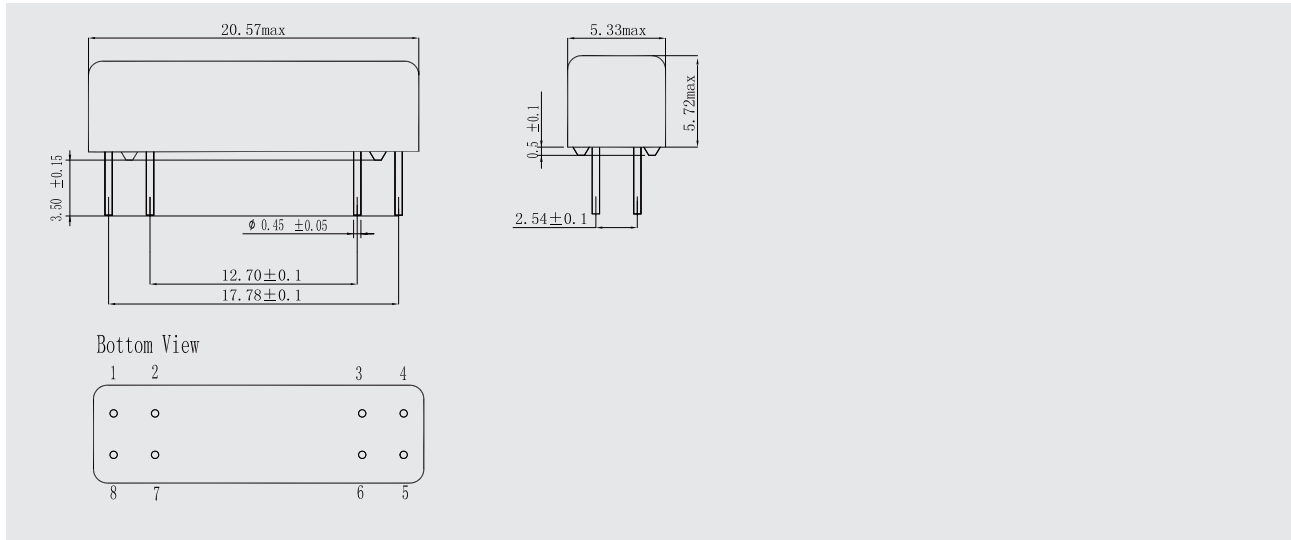
Mechanical Specifications

Vibration (0 to 2KHz)	20G
Shock (11mS 1/2 Sin Wave)	50G

Environmental

Operating Temp	-40°C~+125°C	
Storage Temp	-40°C~+125°C	
Life Expectancy (1.0VDC 10mA)	5X10 ⁸	1X10 ⁸
Rated Loads	5X10 ⁶	5X10 ⁶

Dimensions (Unit : mm)



Wiring Diagrams (Top View)

