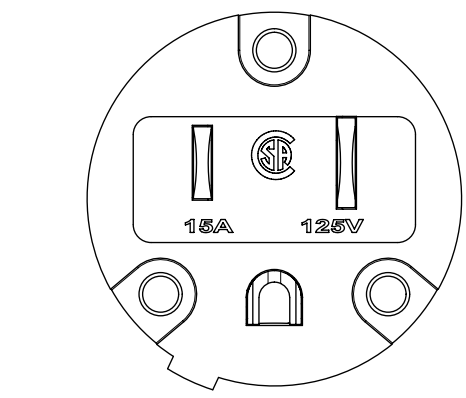
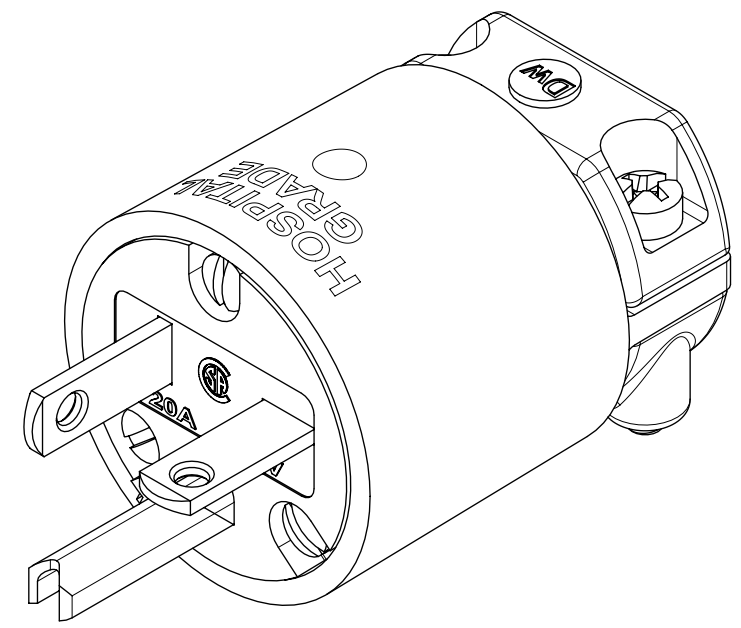
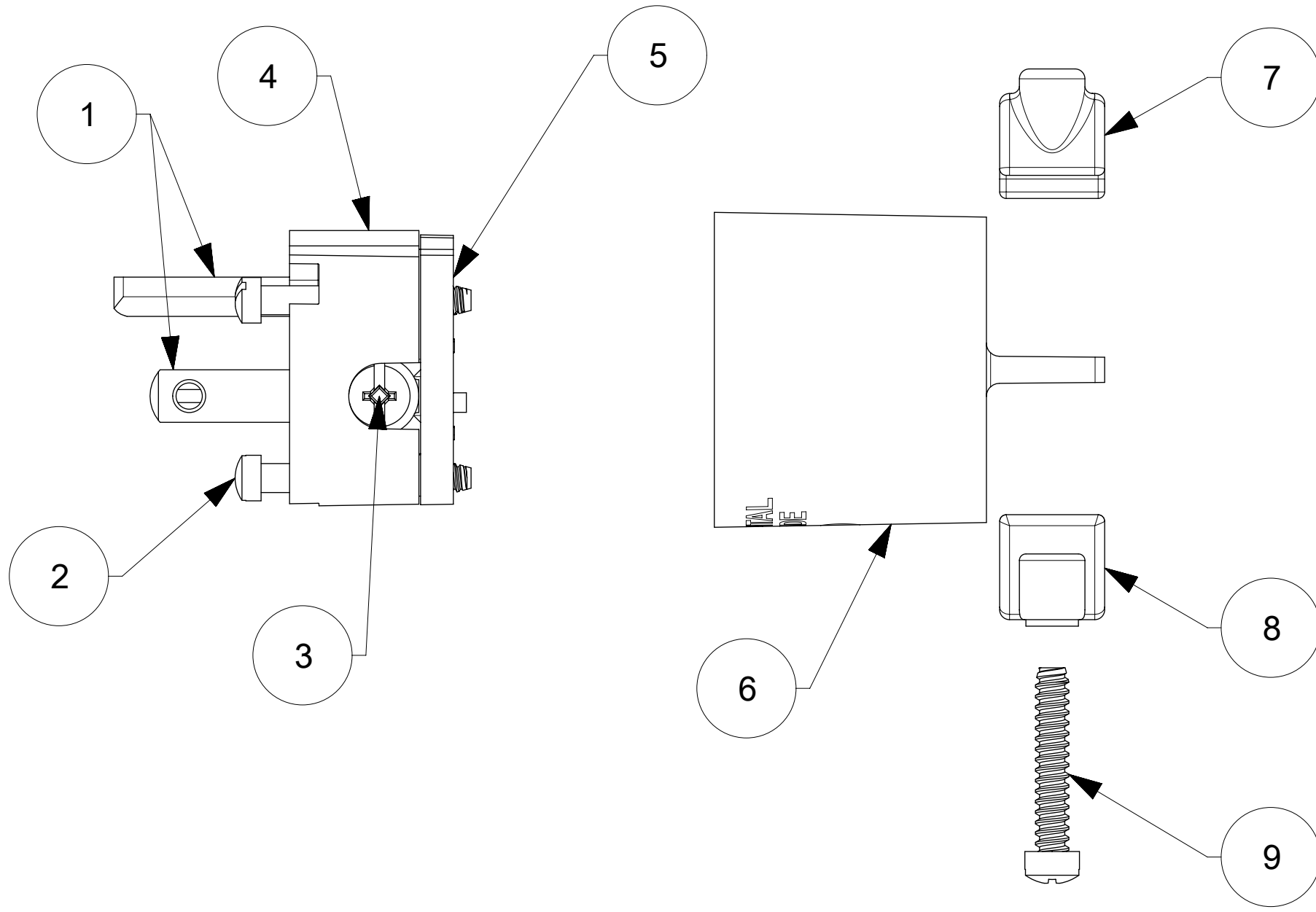
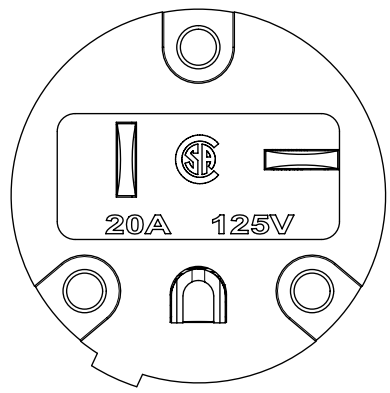


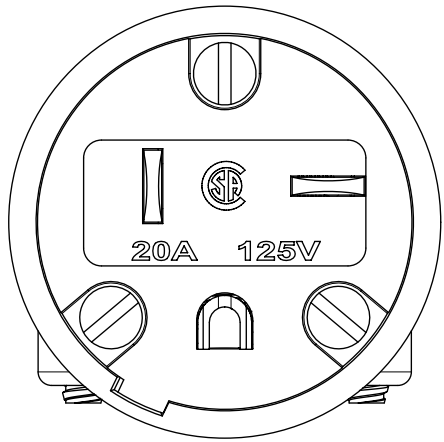
ORDER NO.	WOODHEAD NO.	COLOR	NEMA CONFIG
130144-0085	85433	TRANSPARENT	5-20
130144-0087	85447	TRANSPARENT	5-15



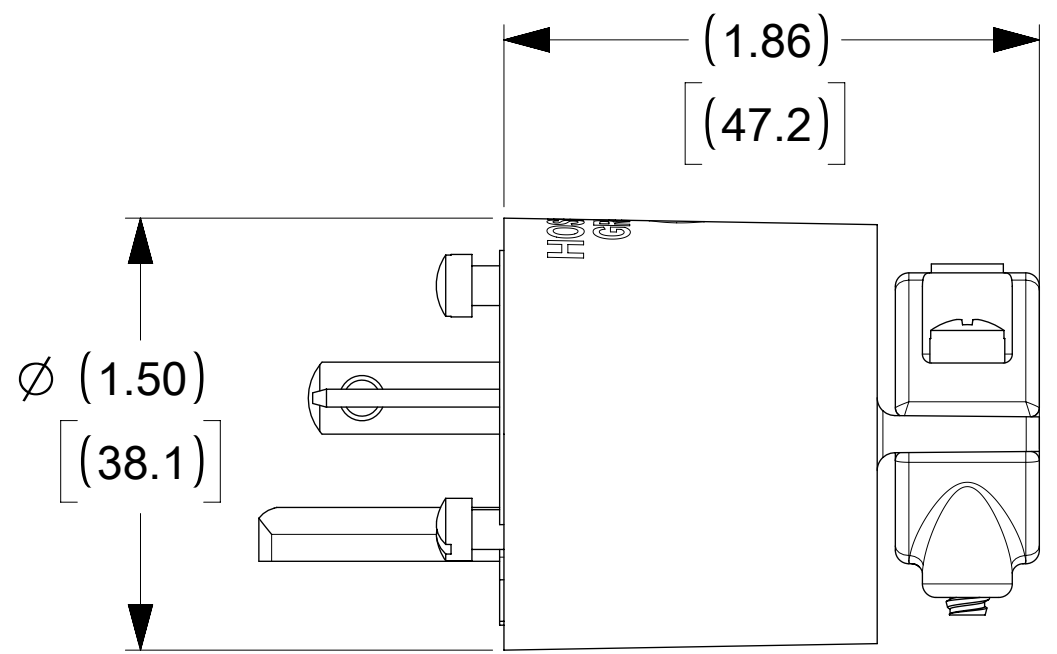
NEMA 5-15 PLUG (85447)



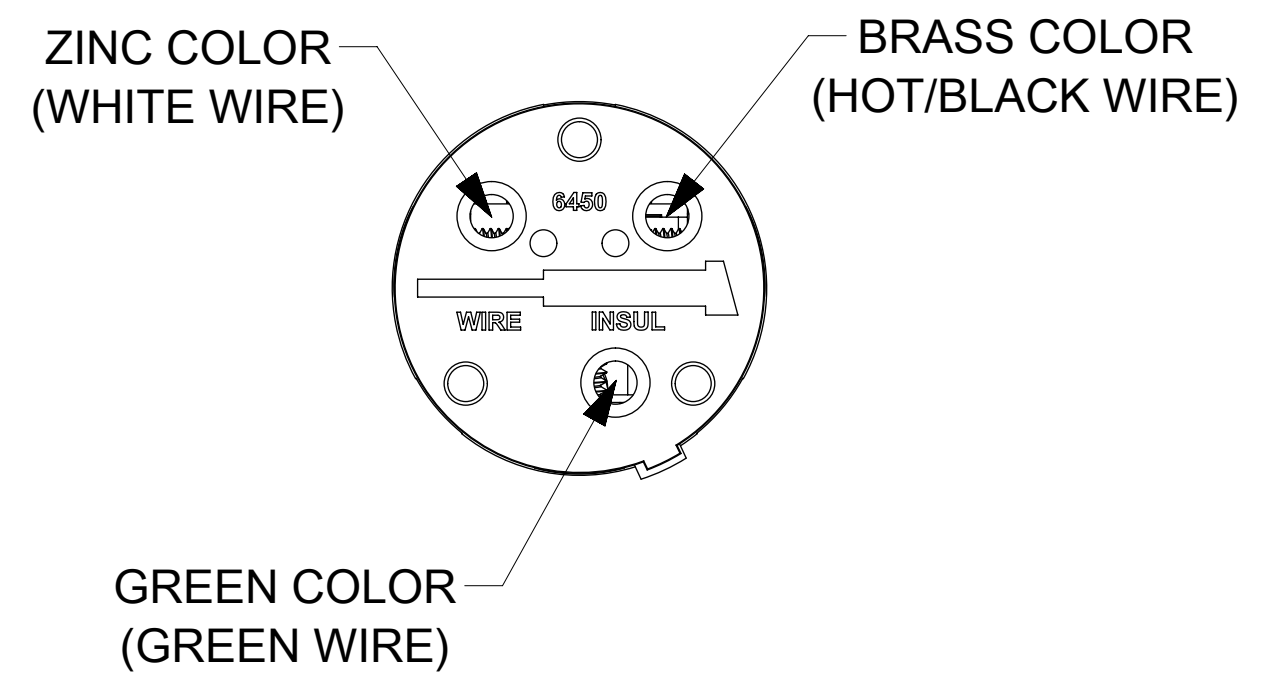
NEMA 5-20 PLUG (85433)



FACE VIEW



WIRING TERMINATION



ITEM NO.	DESCRIPTIONS	MATERIAL	QTY.
1	BLADES	BRASS, NICKEL PLATED	3
2	RETAINING SCREWS	STAINLESS STEEL	3
3	TERMINAL SCREWS/CLAMP ASSEMBLY	BRASS, ZINC PLATED	3
4	INSERT	NYLON	1
5	TERMINAL COVER	POLYCARBONATE	1
6	HOUSING	NYLON	1
7	CLAMP CORD	NYLON	1
8	CLAMP CORD HALF	NYLON	1
9	RETAINING SCREWS	STAINLESS STEEL	2

SYMBOLS DIMENSION UNITS: INCH[MM] SCALE: NTS CURRENT REV DESC: NEW RELEASE	GENERAL TOLERANCES (UNLESS SPECIFIED) 4 PLACES ± ± 3 PLACES ± ± 2 PLACES ± ± 1 PLACE ± ± 0 PLACES ± ±		molex SAFEWAY HOSPITAL-GRADE PLUG 2P3W 5-20 PRODUCT CUSTOMER DRAWING
	EC NO: 621204 DRWN: VBASUTHKARP 2019/05/20 CHK'D: DNGUYEN62 2019/11/12 APPR: HKNEELAND 2020/06/01	INITIAL REVISION: DRWN: VBASUTHKARP 2019/05/20 APPR: HKNEELAND 2020/06/01	
DRAFT WHERE APPLICABLE MUST REMAIN WITHIN DIMENSIONS THIRD ANGLE PROJECTION DRAWING SERIES: C-SIZE 130144	MATERIAL NUMBER: SEE TABLE CUSTOMER: GENERAL MARKET	SHEET NUMBER: 1 OF 1	