

9-1734774-7 ✓ ACTIVE

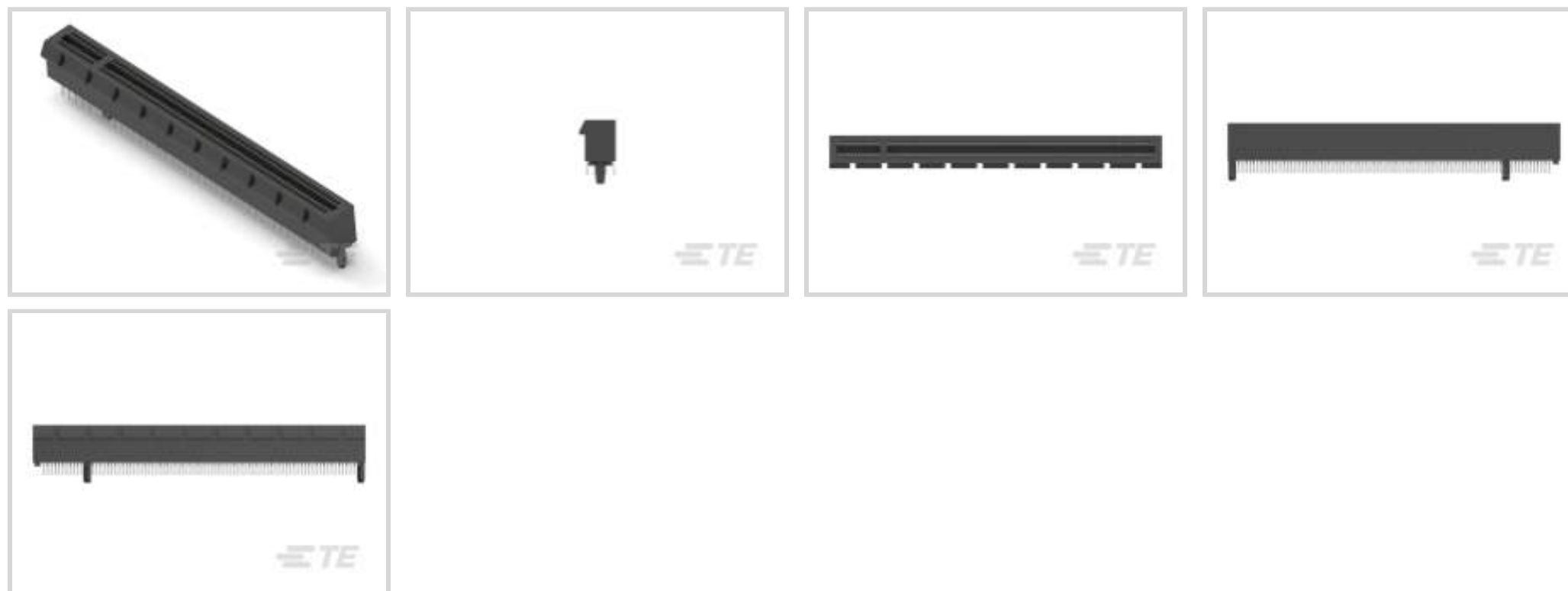


TE Internal #: 9-1734774-7

PCI & PCI Express Connectors, Cable-to-Board, 164 Position, .039 in [1 mm] Centerline, Vertical, Black, Height .394 in [10 mm], Width .346 in [8.8 mm]

[View on TE.com >](#)

Connectors > PCB Connectors > Card Edge Connectors > PCI & PCI Express Connectors



Connector System: **Cable-to-Board**

Number of Positions: **164**

PCI Generation: **2**

Centerline (Pitch): **1 mm [.039 in]**

Termination Post & Tail Length: **2.3 mm [.091 in]**

Features

Product Type Features

Connector System	Cable-to-Board
Connector & Contact Terminates To	Printed Circuit Board

Configuration Features

Number of PCB Mount Retention Features	2
Number of Positions	164
PCB Mount Orientation	Vertical
Ejector	Without

Electrical Characteristics

Operating Voltage	50 VAC
-------------------	--------

Body Features

Product Weight	8.8 g[.31 oz]
Primary Product Color	Black

Contact Features

PCB Contact Termination Area Plating Material Thickness	2.54 μ m
---	--------------



Contact Mating Area Plating Material	Gold
PCB Contact Termination Area Plating Material Finish	Matte
PCB Contact Termination Area Plating Material	Tin
Contact Base Material	Phosphor Bronze
	30 µin
Contact Current Rating (Max)	1.1 A

Termination Features

Termination Method to Printed Circuit Board	Through Hole - Solder
Termination Post & Tail Length	2.3 mm[.091 in]

Mechanical Attachment

Connector Mounting Type	Board Mount
-------------------------	-------------

Housing Features

Housing Material	PA 46
Centerline (Pitch)	1 mm[.039 in]

Dimensions

Connector Length	89 mm[3.504 in]
PCB Thickness (Accepted)	1.57 mm[.062 in]
PCB Thickness (Recommended)	1.6 mm[.063 in]
Connector Height	10 mm[.394 in]
Connector Width	8.8 mm[.346 in]

Usage Conditions

Operating Temperature Range	-40 – 85 °C[-40 – 185 °F]
-----------------------------	---------------------------

Industry Standards

Bus Type	PCI Express
PCI Generation	2

Packaging Features

Packaging Quantity	30
Packaging Method	Box & Tray, Tray

Product Compliance

For compliance documentation, visit the product page on [TE.com](https://www.te.com)>

EU RoHS Directive 2011/65/EU	Compliant
------------------------------	-----------



EU ELV Directive 2000/53/EC	Compliant
China RoHS 2 Directive MIIT Order No 32, 2016	No Restricted Materials Above Threshold
EU REACH Regulation (EC) No. 1907/2006	Current ECHA Candidate List: JUNE 2023 (235) Candidate List Declared Against: JUNE 2022 (224) Does not contain REACH SVHC
Halogen Content	Not Low Halogen - contains Br or Cl > 900 ppm.
Solder Process Capability	Wave solder capable to 265°C

Product Compliance Disclaimer

This information is provided based on reasonable inquiry of our suppliers and represents our current actual knowledge based on the information they provided. This information is subject to change. The part numbers that TE has identified as EU RoHS compliant have a maximum concentration of 0.1% by weight in homogenous materials for lead, hexavalent chromium, mercury, PBB, PBDE, DBP, BBP, DEHP, DIBP, and 0.01% for cadmium, or qualify for an exemption to these limits as defined in the Annexes of Directive 2011/65/EU (RoHS2). Finished electrical and electronic equipment products will be CE marked as required by Directive 2011/65/EU. Components may not be CE marked. Additionally, the part numbers that TE has identified as EU ELV compliant have a maximum concentration of 0.1% by weight in homogenous materials for lead, hexavalent chromium, and mercury, and 0.01% for cadmium, or qualify for an exemption to these limits as defined in the Annexes of Directive 2000/53/EC (ELV). Regarding the REACH Regulation, the information TE provides on SVHC in articles for this part number is based on the latest European Chemicals Agency (ECHA) 'Guidance on requirements for substances in articles' posted at this URL: <https://echa.europa.eu/guidance-documents/guidance-on-reach>

Compatible Parts



TE Part # 5-2337939-4
PCIE GEN4 CON,SMT,164POS,30u", MYLAR,HT



TE Part # 1734774-1
PCI EXP 3.1L 36 POS WHT G/F

Customers Also Bought



TE Part #ZPF000000000099714
DMC-MD 24 N



TE Part #194002-1
PIN ASSY..070



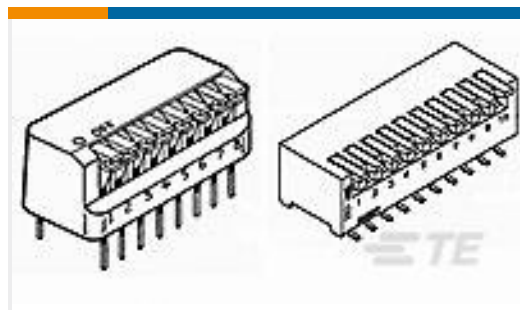
TE Part #5650963-5
ASSY,RECEPTACLE,EUROCARD,TYPE



TE Part #5-2176094-1
RP 2A 0.25W 402K 0.1% 25PPM 1K RL



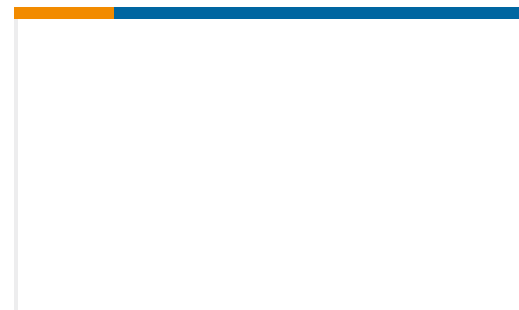
TE Part #9-1734774-3
PCI EXP 2.3L 64 POS BLK 30u"



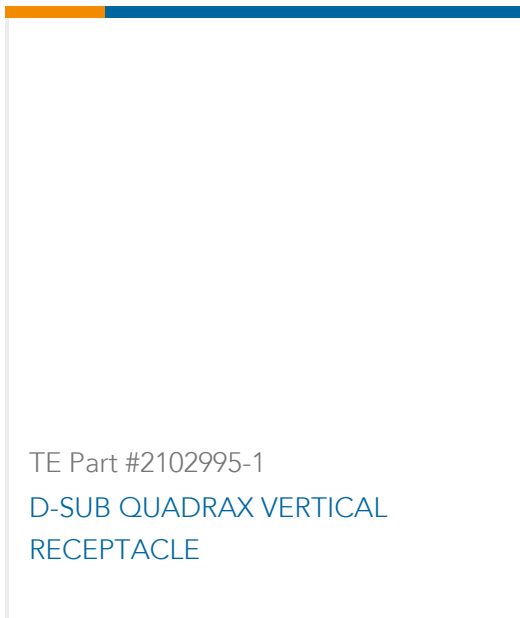
TE Part #5435802-3
RIGHT ANGLE DIP SW 4P AU



TE Part #9-1734774-1
PCI EXP 2.3L 36 POS BLK 30u"



TE Part #ZPF00000000107346
787-0011-00



TE Part #2102995-1
D-SUB QUADRAx VERTICAL
RECEPTACLE

Documents

CAD Files

[3D PDF](#)

[3D](#)

[Customer View Model](#)

[ENG_CVM_CVM_9-1734774-7_F.2d_dxf.zip](#)

English

[Customer View Model](#)

[ENG_CVM_CVM_9-1734774-7_F.3d_igs.zip](#)

English

[Customer View Model](#)

[ENG_CVM_CVM_9-1734774-7_F.3d_stp.zip](#)

English

By downloading the CAD file I accept and agree to the [Terms and Conditions](#) of use.

Product Specifications

[Product Specification](#)

English

[AMP COMMON TERMINATION \(CT\), CONNECTOR, 2mm PITCH, M/T TYPE, LEAD FREE VERSION](#)

Japanese

[Product Specification](#)

Japanese

Product Environmental Compliance

[TE Material Declaration](#)

English