

Features

- Frequency range : 1.25MHz to 170MHz
- SMD seam sealing ceramic package
- Supply voltage : 3.3V
- CMOS output
- Fundamental solution
- Low phase noise and phase jitter
- Tri-state function available
- External dimensions (mm)
L : 5.0 x W : 3.2 x H : 1.2
- RoHS compliant & Pb free

Applications

- Wireless communications, Smallcell, Base station
- Fibre channel, SONET, SDH, Ethernet
- Set-top box (STB)
- xDSL, VoIP, Cable modem
- Digital TV, Digital audio
- Phase-locked loop (PLL) circuits

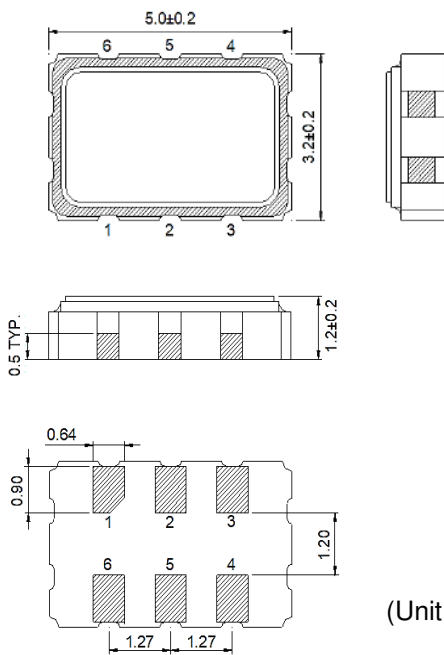
Electrical Characteristics

Item	QTV532	Conditions
Frequency Range (F_0)	1.25MHz ~ 170MHz	
Operating Temperature Range (T_{OTR})	-40°C ~ +85°C	
	-40°C ~ +105°C	
Supply Voltage (V_{DD})	3.3 V	$V_{DD} \pm 10\%$
Current Consumption (I_{DD})	30 mA Max.	
Output Type	CMOS	
Output Load (C_L)	15 pF	
Output Voltage High (V_{OH})	90% V_{DD} Min.	
Output Voltage Low (V_{OL})	10% V_{DD} Max.	
Rise & Fall Time (T_r / T_f)	5 ns Max.	10% ~ 90% of output swing
Duty Cycle	45% ~ 55%	
Start-up Time	10 ms Max.	
Enable Voltage High, Logic "1"	70% V_{DD} Min.	Input to Pin2 Note [1]
Enable Voltage Low, Logic "0"	30% V_{DD} Max.	
Absolute Pulling Range (APR)	± 50 ppm Min.	Note [2]
Control Voltage Range	0V ~ 3.3V	Nominal 1.65V
Linearity	10% Max.	
Phase Noise ($F_0 = 122.88$ MHz)	-128 dBc/Hz Typ.	at 1kHz offset
Phase Jitter ($F_0 = 122.88$ MHz)	50 fs Typ.	12kHz ~ 20MHz, RMS
Storage Temperature Range (T_{STR})	-55°C ~ +125°C	

Notes:

- [1] Output will be enabled if Pin2 is Logic "1" or open; Output will be disabled if Pin2 is Logic "0".
- [2] Absolute Pulling Range (APR) = Pulling Range - (Frequency tolerance at 25°C, variations over temperature, supply voltage, and aging).

Dimensions



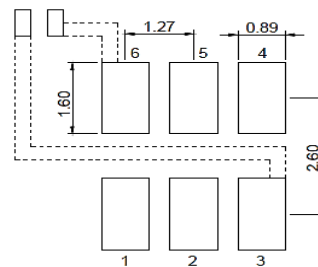
(Unit: mm)

* Pad dimension tolerance is ±0.2mm

Pin function

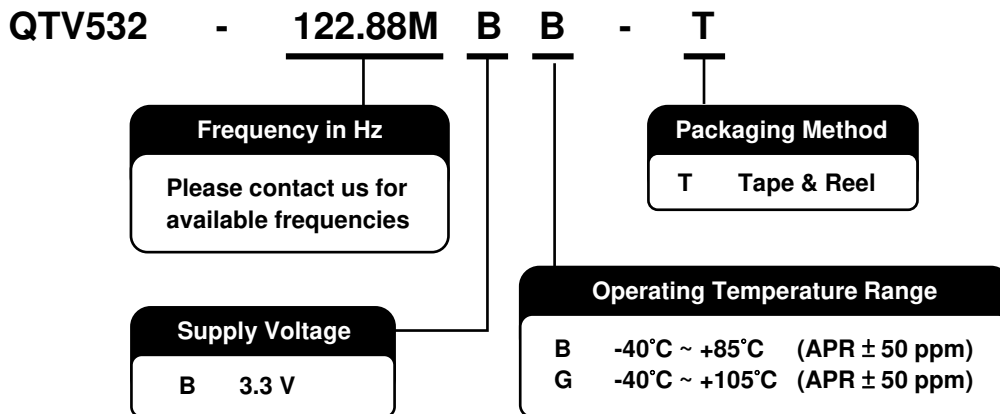
Pin 1	VC
Pin 2	OE
Pin 3	GND
Pin 4	OUT
Pin 5	NC
Pin 6	V _{DD}

Recommended pad layout

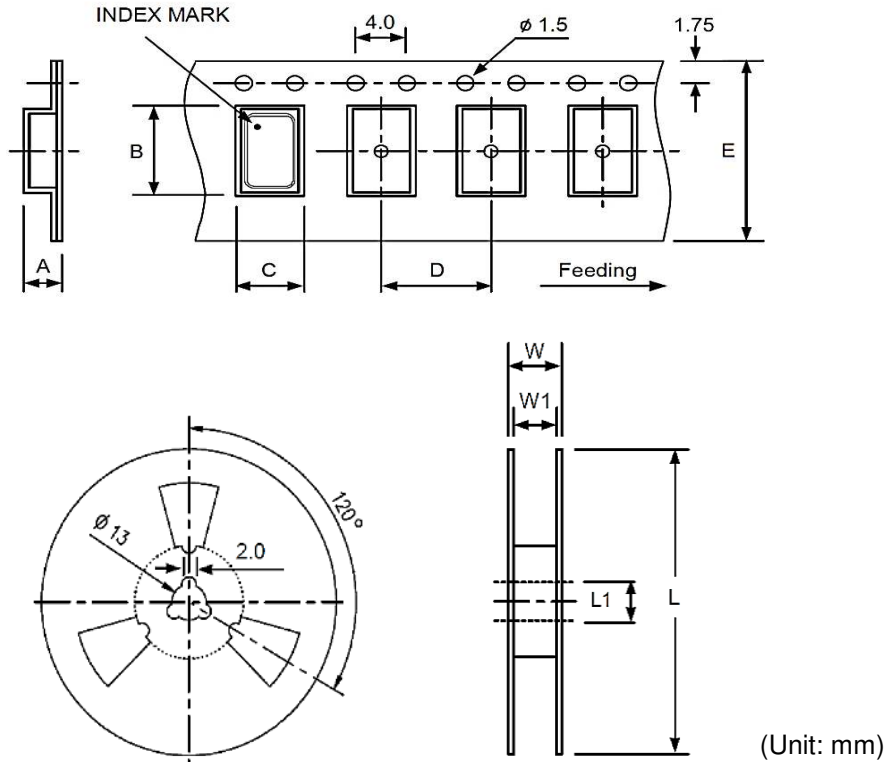


* Power supply decoupling capacitor is required.

Ordering Information



Packing



(Unit: mm)

DIMENSIONS	A	B	C	D	E	L	L1	W	W1
	1.40	5.40	3.60	8.00	12.0	180.0	13.0	16.5	12.0

Reflow Profile

Solder melting point : 220°C ± 10°C, 60 sec. Min., 200 sec. Max.

Peak temperature : 260°C ± 10°C, 10 sec. Min., 30 sec. Max.

