

4

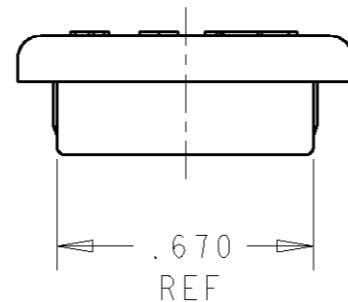
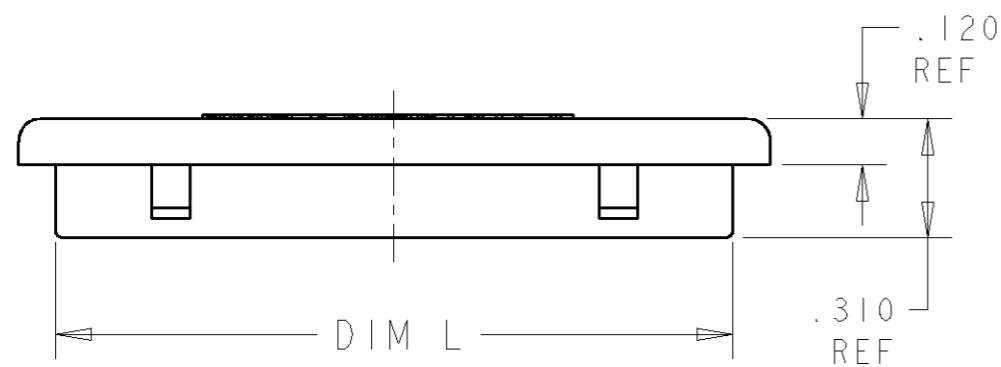
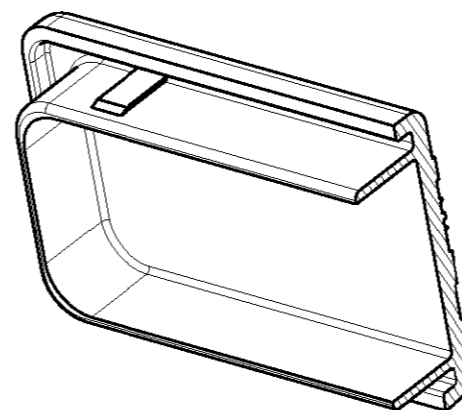
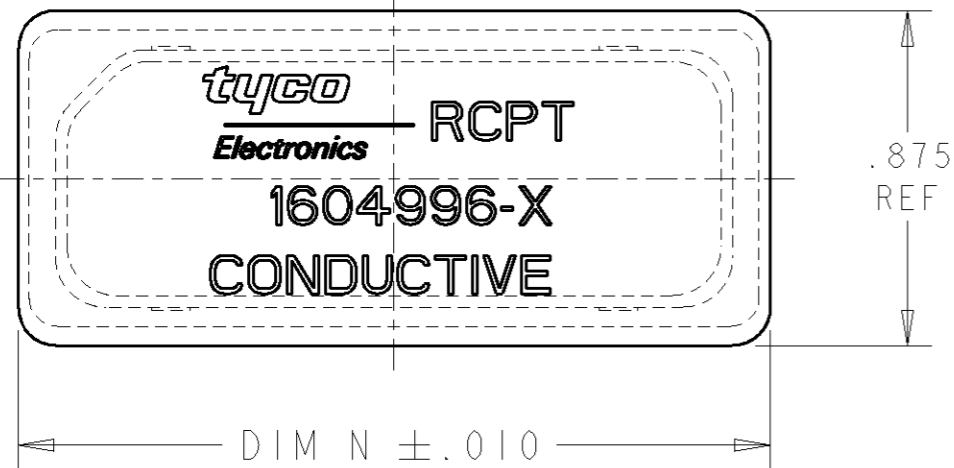
3

2

1

THIS DRAWING IS UNPUBLISHED. RELEASED FOR PUBLICATION 20
© COPYRIGHT 20 BY TYCO ELECTRONICS CORPORATION. ALL RIGHTS RESERVED.

| LOC | DIST | REVISIONS | | | |
|-----|------|--------------------------|-----------|-----|------|
| P | LTR | DESCRIPTION | DATE | DWN | APVD |
| | 0 | RELEASE PER 0H14-0409-04 | 15JUN2004 | BW | WB |
| | | | | | |
| | | | | | |



| | | | |
|------------|--------|-------------------------------------|----------------|
| 1.769 | 1.965 | 6 POSN (1604926 AND 1604927) | 1604996-3 |
| 1.214 | 1.410 | 2 POSN (1604896 AND 1604897) | 1604996-2 |
| 2.865 | 3.060 | 12 POSN (1604798 AND 1604799) | 1604996-1 |
| L | N±.010 | USED ON | PART NUMBER |
| DIMENSIONS | | | |

⚠ MATL: CONDUCTIVE POLYPROPYLENE
COLOR: BLACK

| DIMENSIONS: | | TOLERANCES UNLESS OTHERWISE SPECIFIED: | | DWN | | APVD | | NAME | |
|------------------|--|---------------------------------------------------------------------------------|--|----------------------|--|---------------|--|-------------------------------------------------------------|--|
| IN | | | | 15JUN2004 | | 15JUN2004 | | COVER, DUST, ESD, RECEPTACLE, BOEING QUADRAX RECTANGULAR | |
| | | 0 PLC ±- 1 PLC ±.1 2 PLC ±.01 3 PLC ±.005 4 PLC ±.0020 ANGLES ±1 | | Brent D. Yohn | | W.H. BERNHART | | Tyco Electronics Harrisburg, PA 17105-3608 | |
| | | | | W.H. BERNHART | | W.H. BERNHART | | - | |
| MATERIAL | | FINISH | | - | | - | | - | |
| ⚠ | | - | | - | | - | | - | |
| CUSTOMER DRAWING | | | | SCALE 2:1 | | SHEET 1 OF 1 | | REV 0 | |
| SIZE A3 | | CAGE CODE 00779 | | DRAWING NO C-1604996 | | RESTRICTED TO | | - | |