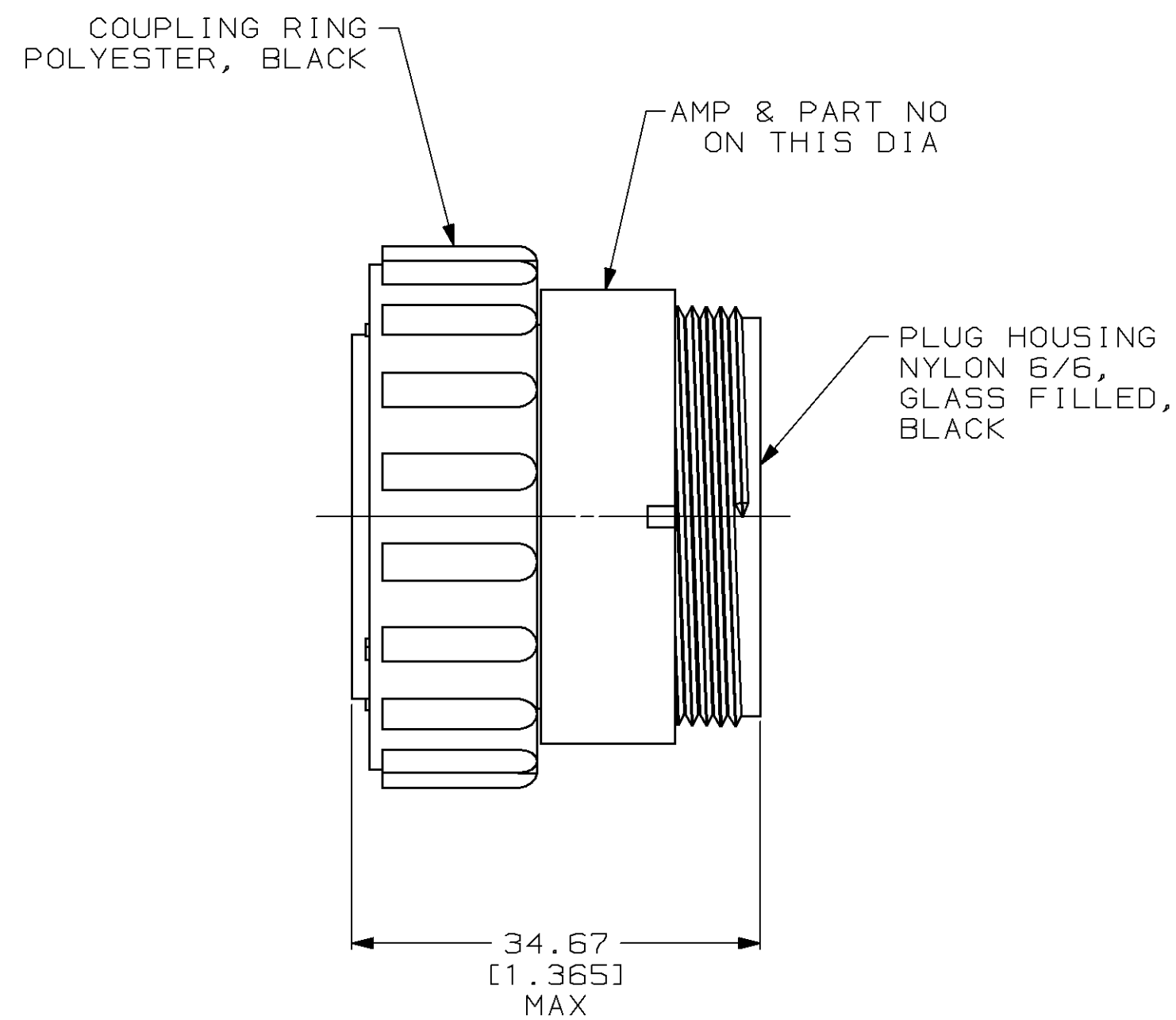
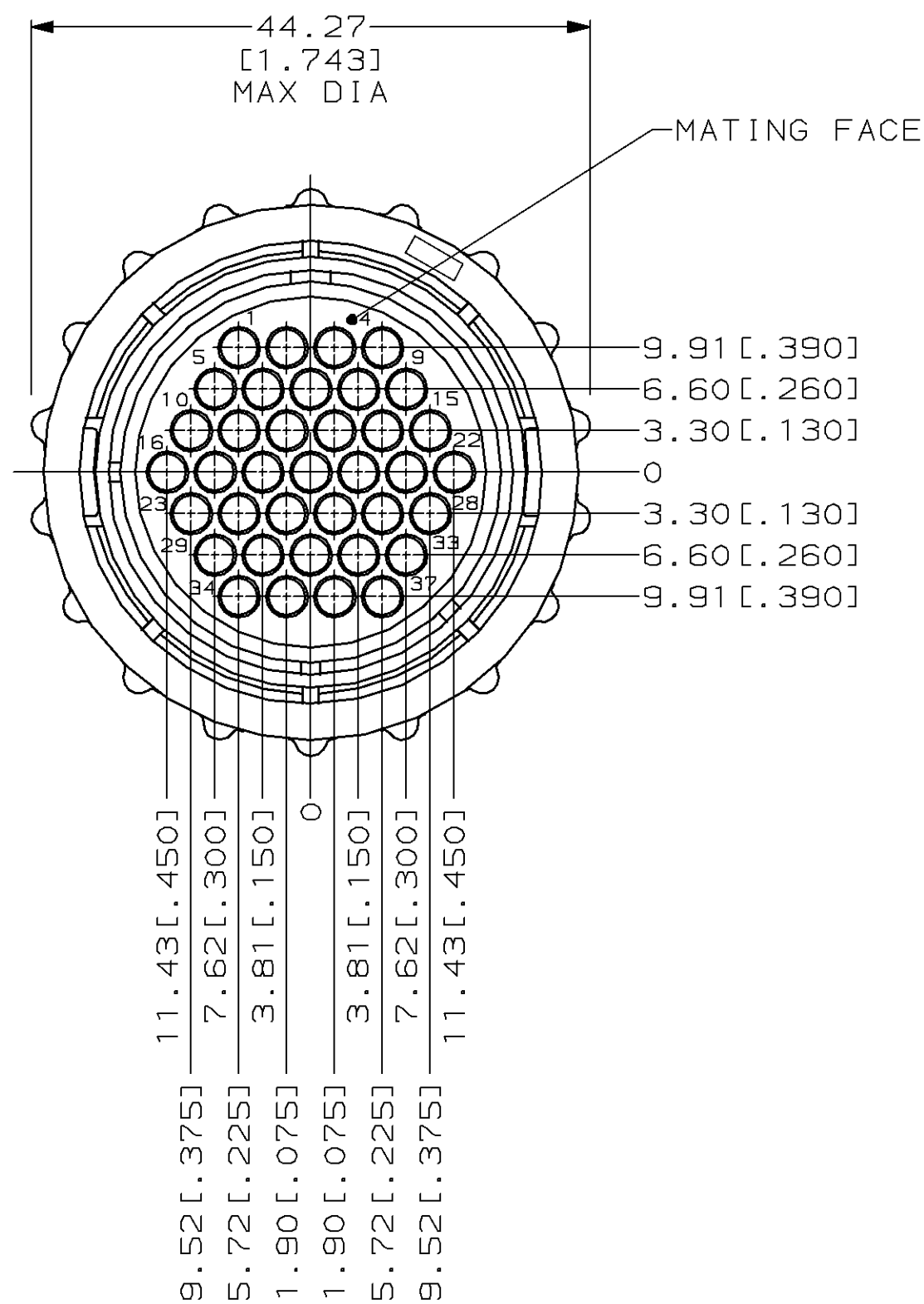


LOC	DIST	P	F	ZONE	LTR	DESCRIPTION	DATE	APPD
FT	4				O	RLSE PER NPR 5254 WAS 94-5029-026-01	01/04/95	AF
					A	REV PER EC 0020-68-95	02/07/95	AF
					B	REV PER EC 0320-7-97	16 JAN 97	KD



- CONTACT CAVITIES IDENTIFIED BY CHARACTERS ON FRONT AND REAR FACES OF CONNECTOR.
- THIS CONNECTOR WILL ACCEPT (37) MULTIMATE PIN CONTACTS.

213850-1
PART NUMBER

DO NOT SCALE PRINT. UNLESS SPECIFIED DIMENSIONS IN mm [INCHES] TOLERANCES ON: 2 PLC DEC ± 0.13 [.005] 3 PLC DEC ± - ANGLES ± -	DR 01/04/95 K.FOLTZ CHK 01/09/95 R.STONE APPD 01/10/95 T.COULSON	AMP Incorporated Harrisburg, PA 17105-3608	NAME PLUG ASSEMBLY, REVERSE SEX, SIZE 23, SERIES I, CPC
MATERIAL SEE CALLOUT	APPD 01/16/95 A.FRANTUM PRODUCT SPEC -		
FINISH -	APPLICATION SPEC -	SIZE C	CAGE CODE 00779
	WEIGHT -	SCALE 2:1	DRAWING NO 213850
			SHEET 1 OF 1