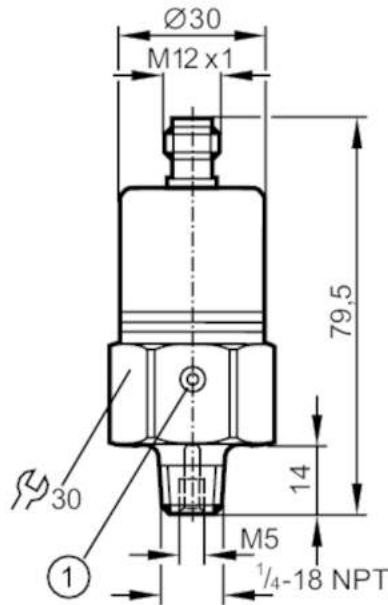


PX3223



Pressure transmitter with ceramic measuring cell

PA-050PRBN14-A-ZVG/US/ IV



1 ventilation



Product characteristics

Number of inputs and outputs	Number of analogue outputs: 1
Measuring range [psi]	0...500
Process connection	threaded connection 1/4" NPT external thread internal thread:M5

Application

Special feature	Gold-plated contacts
Application	for industrial applications
Media	liquids and gases
Conditionally suitable for	use in gases at pressures > 25 bar only on request
Medium temperature [°C]	-25...90
Min. bursting pressure [psi]	5075
Pressure rating [psi]	2175
Type of pressure	relative pressure

Electrical data

Operating voltage [V]	9.6...32 DC
Min. insulation resistance [MΩ]	100; (500 V DC)
Protection class	III
Reverse polarity protection	yes

Inputs / outputs

Number of inputs and outputs	Number of analogue outputs: 1
------------------------------	-------------------------------

Outputs

Total number of outputs	1
Output signal	analogue signal

PX3223



Pressure transmitter with ceramic measuring cell

PA-050PRBN14-A-ZVG/US/ IV

Number of analogue outputs	1
Analogue current output [mA]	4...20
Max. load [Ω]	720; ($U_b = 24\text{ V}$; ($U_b - 9,6\text{ V}$) / 20 mA)
Overload protection	yes

Measuring/setting range

Measuring range [psi]	0...500
-----------------------	---------

Accuracy / deviations

Repeatability [% of the span]	< 0,1; (with temperature fluctuations < 10 K)
Characteristics deviation [% of the span]	< $\pm 0,35$ (BFSL) / < $\pm 0,75$ (LS); (BFSL = Best Fit Straight Line; LS = limit value setting)
Long-term stability [% of the span]	< $\pm 0,05$; (per 6 months)
Temperature coefficient zero point [% of the span / 10 K]	0,2; (0...80 °C)
Temperature coefficient span [% of the span / 10 K]	0,3; (0...80 °C)

Response times

Step response time analogue output [ms]	3
-----------------------------------------	---

Operating conditions

Ambient temperature [°C]	-25...80
Storage temperature [°C]	-40...100
Protection	IP 65

Tests / approvals

EMC	EN 61000-4-2 ESD	4 kV CD / 8 kV AD
	EN 61000-4-3 HF radiated	30 V/m
	EN 61000-4-4 Burst	2 kV
	EN 61000-4-6 HF conducted radiation of interference	10 V according to the automotive directive 2004/104/EC / CISPR 25
	immunity	according to the automotive directive 2004/104/EC / ISO 11452-2
	HF radiated	100 V/m
	pulse resistance	ISO 7637-2 / severity level 3
Shock resistance	DIN IEC 68-2-27	50 g (11 ms)
Vibration resistance	DIN IEC 68-2-6	20 g (10...2000 Hz)
MTTF [years]		555
Pressure Equipment Directive	Sound engineering practice; can be used for group 2 fluids; group 1 fluids on request	

Mechanical data

Weight [g]	213.5
Materials	stainless steel (1.4404 / 316L); FKM; PA; EPDM/X
Materials (wetted parts)	stainless steel (1.4305 / 303); ceramics; FKM
Min. pressure cycles	100 million
Process connection	threaded connection 1/4" NPT external thread internal thread:M5
Restrictor element integrated	no (can be retrofitted)

PX3223



Pressure transmitter with ceramic measuring cell

PA-050PRBN14-A-ZVG/US/ IV

Remarks

Pack quantity

1 pcs.

Electrical connection

Connector: 1 x M12; coding: A; Contacts: gold-plated



Connection

