

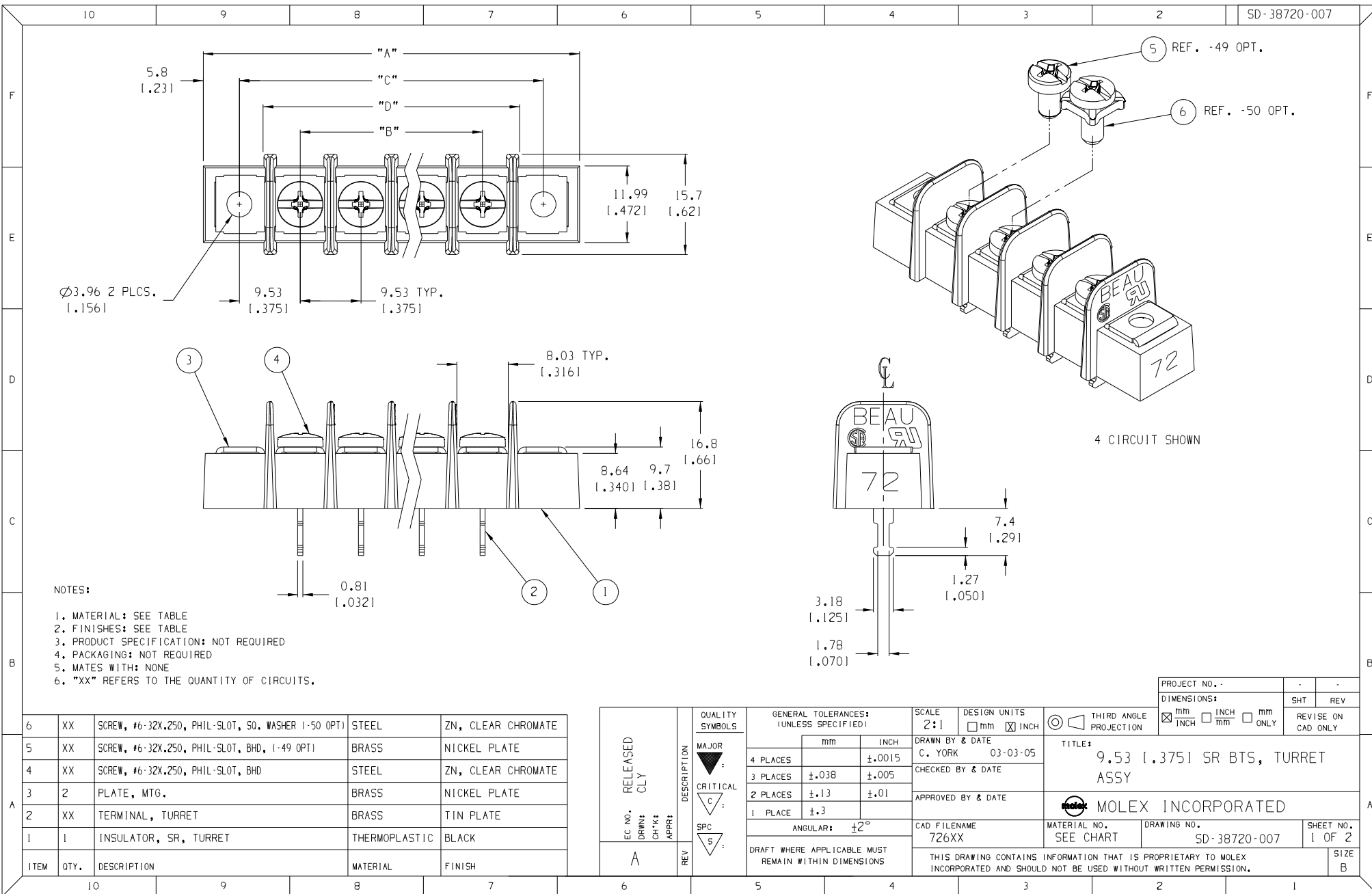
4 CIRCUIT SHOWN

- NOTES:
1. MATERIAL: SEE TABLE
 2. FINISHES: SEE TABLE
 3. PRODUCT SPECIFICATION: NOT REQUIRED
 4. PACKAGING: NOT REQUIRED
 5. MATES WITH: NONE
 6. "XX" REFERS TO THE QUANTITY OF CIRCUITS.

6	XX	SCREW, #6-32X.250, PHIL-SLOT, SO, WASHER (-50 OPT)	STEEL	ZN, CLEAR CHROMATE
5	XX	SCREW, #6-32X.250, PHIL-SLOT, BHD, (-49 OPT)	BRASS	NICKEL PLATE
4	XX	SCREW, #6-32X.250, PHIL-SLOT, BHD	STEEL	ZN, CLEAR CHROMATE
3	2	PLATE, MTG.	BRASS	NICKEL PLATE
2	XX	TERMINAL, TURRET	BRASS	TIN PLATE
1	1	INSULATOR, SR, TURRET	THERMOPLASTIC	BLACK
ITEM	QTY.	DESCRIPTION	MATERIAL	FINISH

A	REV	DESCRIPTION
	1	RELEASED CLY
EC NO.	DRWING	CH'KED
	APPR	

GENERAL TOLERANCES: (UNLESS SPECIFIED)		SCALE 2:1	DESIGN UNITS <input type="checkbox"/> mm <input checked="" type="checkbox"/> INCH	THIRD ANGLE PROJECTION	PROJECT NO. -	SHT -	REV -
4 PLACES	mm ±.0015	DRAWN BY & DATE C. YORK 03-03-05		TITLE: 9.53 [.375] SR BTS, TURRET ASSY	REVISE ON CAD ONLY		
3 PLACES	mm ±.038	CHECKED BY & DATE		MOLEX INCORPORATED			
2 PLACES	mm ±.13	APPROVED BY & DATE					
1 PLACE	mm ±.3	ANGULAR: ±2°		CAD FILENAME 726XX	MATERIAL NO. SEE CHART	DRAWING NO. SD-38720-007	SHEET NO. 1 OF 2
DRAFT WHERE APPLICABLE MUST REMAIN WITHIN DIMENSIONS				THIS DRAWING CONTAINS INFORMATION THAT IS PROPRIETARY TO MOLEX INCORPORATED AND SHOULD NOT BE USED WITHOUT WRITTEN PERMISSION.			



NUMBER OF CIRCUITS "XX"	DIM. "A"		DIM. "B"		DIM. "C"		DIM. "D"		ASSEMBLY MATERIAL NO. (STANDARD)	ASSEMBLY MATERIAL NO. (-49 OPT.)	ASSEMBLY MATERIAL NO. (-50 OPT.)
02	40.1	[1.58]	9.53	[.375]	28.58	[1.125]	21.1	[.83]	387209202	387209802	387210402
03	49.7	[1.96]	19.05	[.750]	38.10	[1.500]	30.6	[1.21]	387209203	387209803	387210403
04	59.2	[2.33]	28.58	[1.125]	47.63	[1.875]	40.1	[1.58]	387209204	387209804	387210404
05	68.7	[2.71]	38.10	[1.500]	57.15	[2.250]	49.7	[1.96]	387209205	387209805	387210405
06	78.2	[3.08]	47.63	[1.875]	66.68	[2.625]	59.2	[2.33]	387209206	387209806	387210406
07	87.8	[3.46]	57.15	[2.250]	76.20	[3.000]	68.7	[2.71]	387209207	387209807	387210407
08	97.3	[3.83]	66.68	[2.625]	85.73	[3.375]	78.2	[3.08]	387209208	387209808	387210408
09	106.8	[4.21]	76.20	[3.000]	95.25	[3.750]	87.8	[3.46]	387209209	387209809	387210409
10	116.3	[4.58]	85.73	[3.375]	104.78	[4.125]	97.3	[3.83]	387209210	387209810	387210410
11	125.9	[4.96]	95.25	[3.750]	114.30	[4.500]	106.8	[4.21]	387209211	387209811	387210411
12	135.4	[5.33]	104.78	[4.125]	123.83	[4.875]	116.3	[4.58]	387209212	387209812	387210412
13	144.9	[5.71]	114.30	[4.500]	133.35	[5.250]	125.9	[4.96]	387209213	387209813	387210413
14	154.4	[6.08]	123.83	[4.875]	142.88	[5.625]	135.4	[5.33]	387209214	387209814	387210414
15	164.0	[6.46]	133.35	[5.250]	152.40	[6.000]	144.9	[5.71]	387209215	387209815	387210415
16	173.5	[6.83]	142.88	[5.625]	161.93	[6.375]	154.4	[6.08]	387209216	387209816	387210416
17	183.0	[7.21]	152.40	[6.000]	171.45	[6.750]	164.0	[6.46]	387209217	387209817	387210417
18	192.5	[7.58]	161.93	[6.375]	180.98	[7.125]	173.5	[7.21]	387209218	387209818	387210418
19	202.1	[7.96]	171.45	[6.750]	190.50	[7.500]	192.5	[7.58]	387209219	387209819	387210419
20	211.6	[8.33]	180.98	[7.125]	200.03	[7.875]	202.1	[7.96]	387209220	387209820	387210420
21	221.1	[8.71]	190.50	[7.500]	209.55	[8.250]	211.6	[8.33]	387209221	387209821	387210421
22	230.6	[9.08]	200.03	[7.875]	219.08	[8.625]	221.1	[8.71]	387209222	387209822	387210422
23	240.2	[9.46]	209.55	[8.250]	228.60	[9.000]	230.6	[9.08]	387209223	387209823	387210423
24	249.7	[9.83]	219.08	[8.625]	238.13	[9.375]	230.6	[9.08]	387209224	387209824	387210424
25	259.2	[10.21]	228.60	[9.000]	247.65	[9.750]	240.2	[9.46]	387209225	387209825	387210425
26	268.7	[10.58]	238.13	[9.375]	257.18	[10.125]	249.7	[9.83]	387209226	387209826	387210426

PROJECT NO. -	-	-
DIMENSIONS:	SHT	REV
<input checked="" type="checkbox"/> mm <input type="checkbox"/> INCH	<input type="checkbox"/> mm <input type="checkbox"/> ONLY	REVISE ON CAD ONLY

EC NO. - SEE SHEET 1 DRAWN: CH-K APPR: REV	QUALITY SYMBOLS MAJOR CRITICAL SPC S	DESCRIPTION	GENERAL TOLERANCES: (UNLESS SPECIFIED)		SCALE - -	DESIGN UNITS <input type="checkbox"/> mm <input checked="" type="checkbox"/> INCH	THIRD ANGLE PROJECTION	TITLE: 9.53 [.375] SR BTS, TURRET ASSY		
			<input type="checkbox"/> mm <input type="checkbox"/> INCH	<input type="checkbox"/> mm <input type="checkbox"/> ONLY	DRAWN BY & DATE C. YORK 03-03-05		MATERIAL NO. SEE CHART		DRAWING NO. SD-38720-007	SHEET NO. 2 OF 2
			4 PLACES ±.0015	3 PLACES ±.038 ±.005	CHECKED BY & DATE		MOLEX INCORPORATED		THIS DRAWING CONTAINS INFORMATION THAT IS PROPRIETARY TO MOLEX INCORPORATED AND SHOULD NOT BE USED WITHOUT WRITTEN PERMISSION.	
			2 PLACES ±.13 ±.01	1 PLACE ±.3	APPROVED BY & DATE		CAD FILENAME 726XX		SIZE B	
ANGULAR: ±2°			DRAFT WHERE APPLICABLE MUST REMAIN WITHIN DIMENSIONS							

