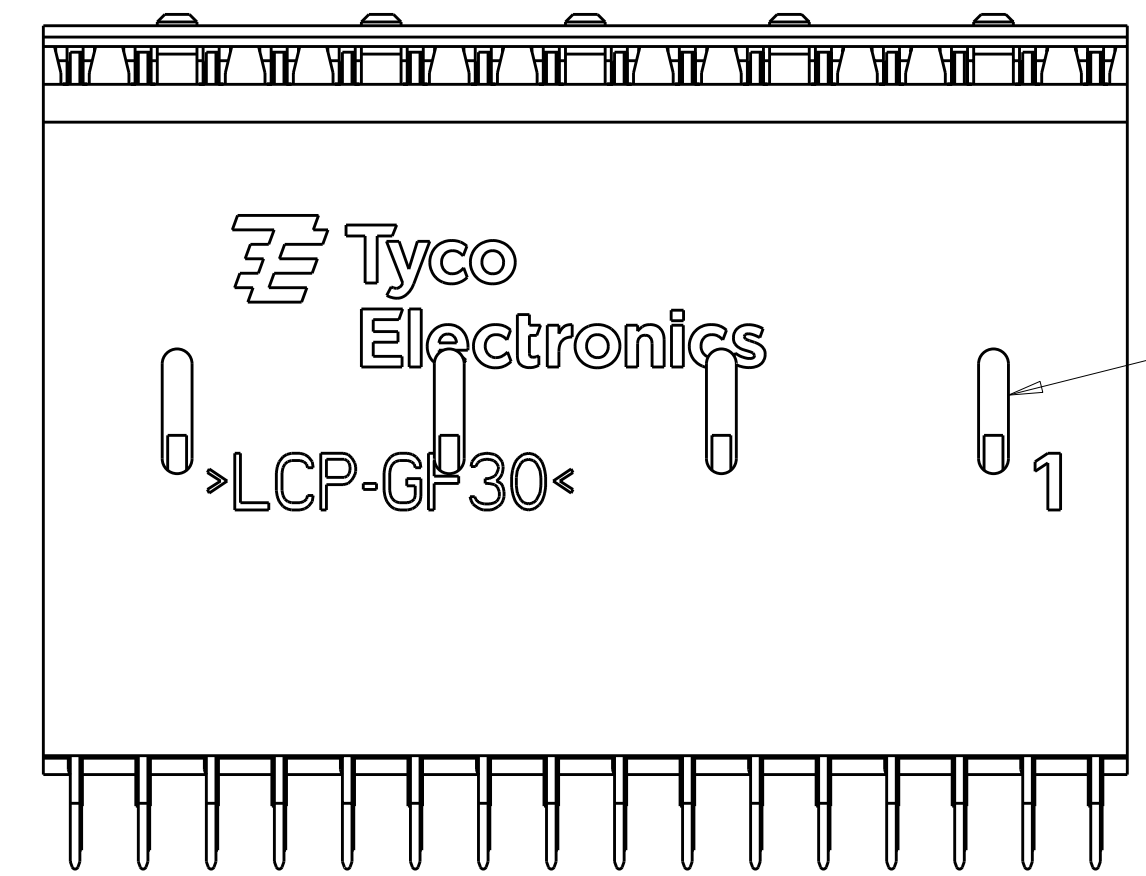
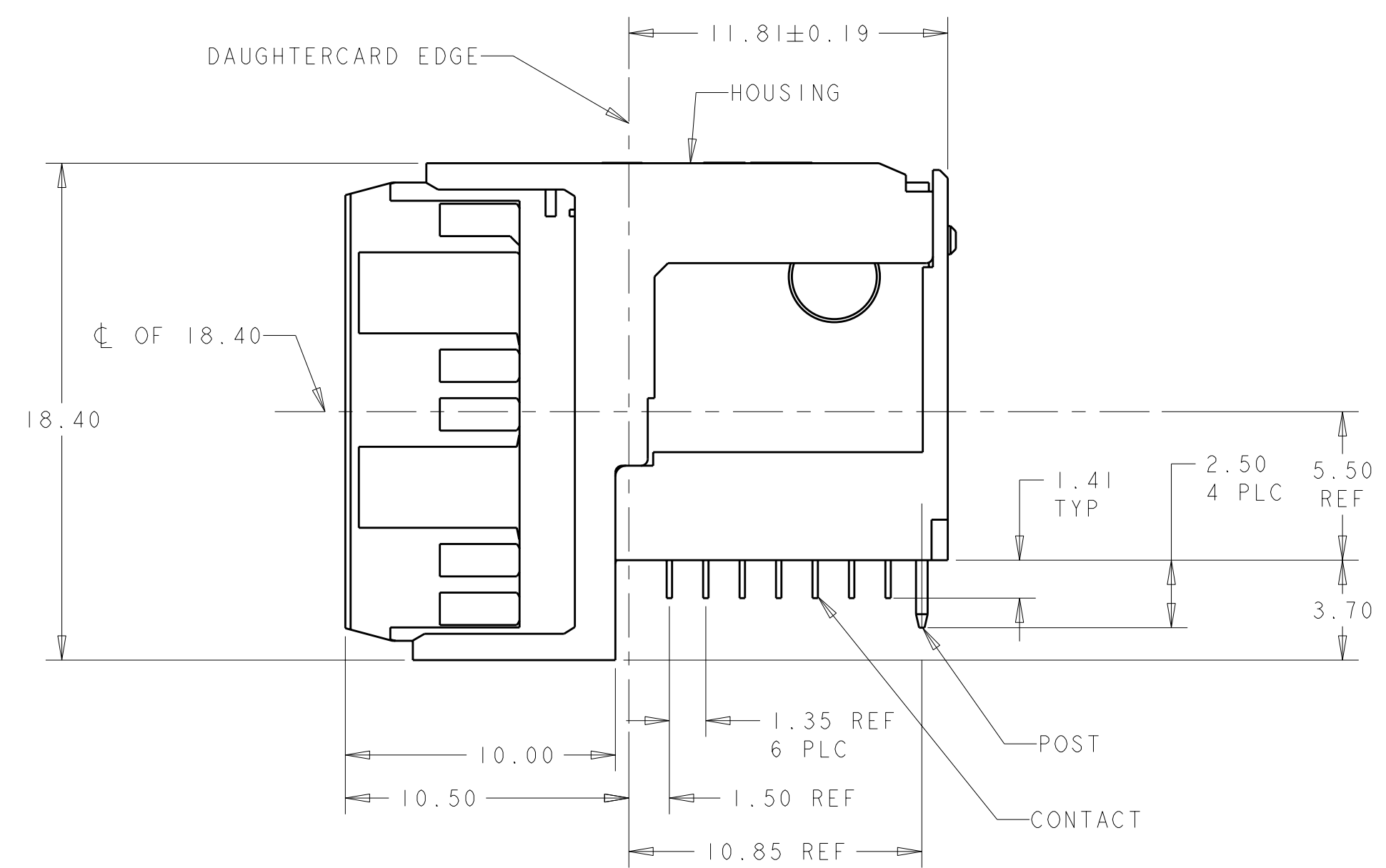
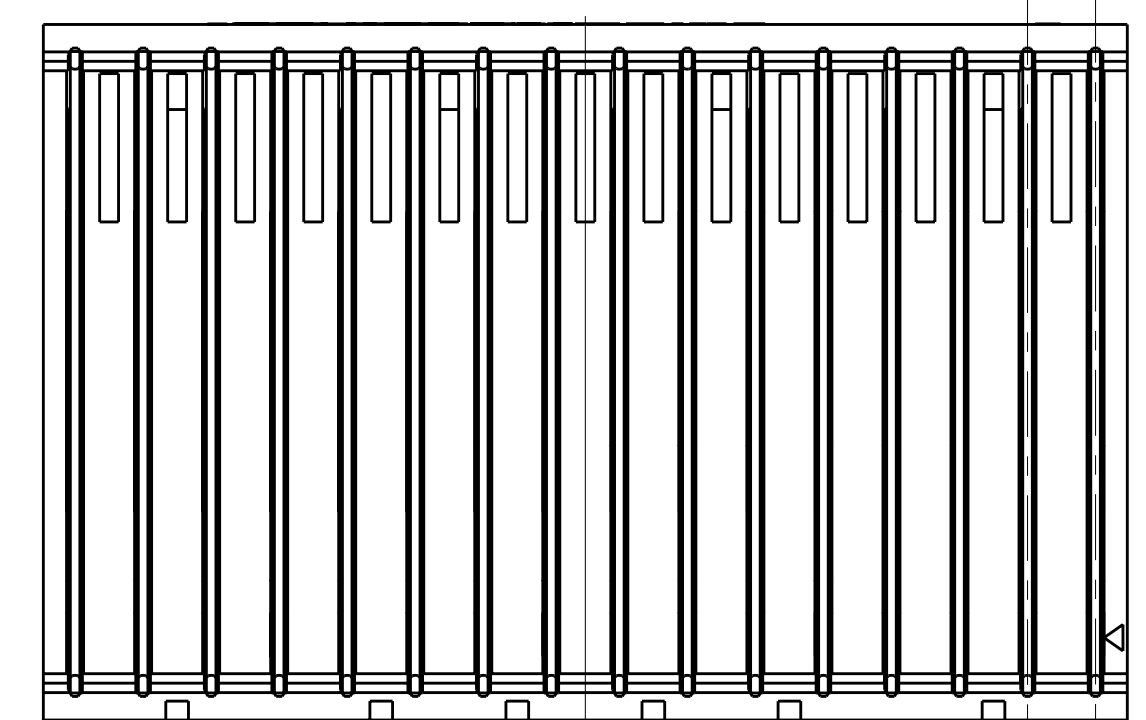


LOC	DIST	REV	DATE	BY	APP'D
DF	A5	1	05AUG2009	MM	



SLOTS FOR RECEIVING SHIELD RETENTION LEGS



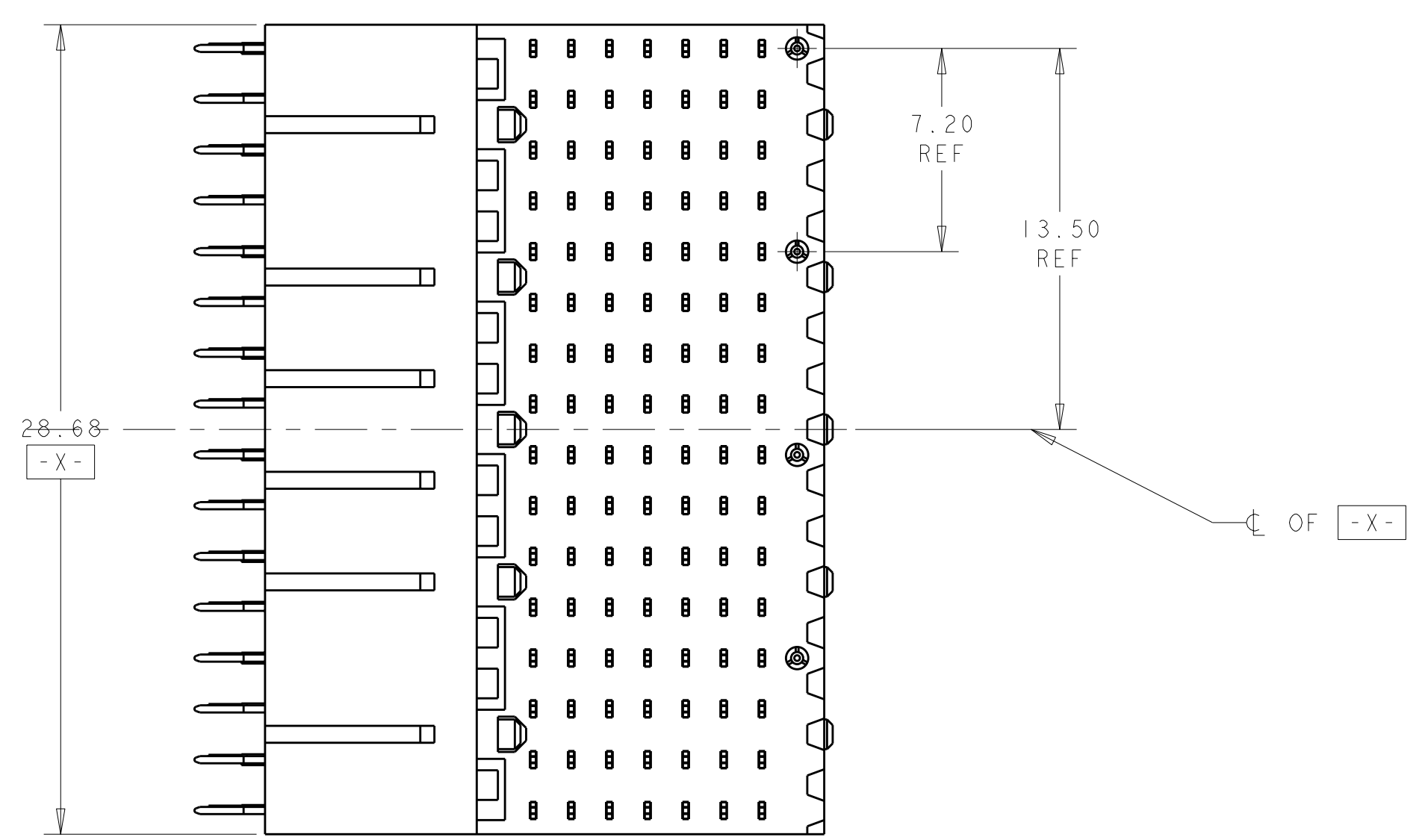
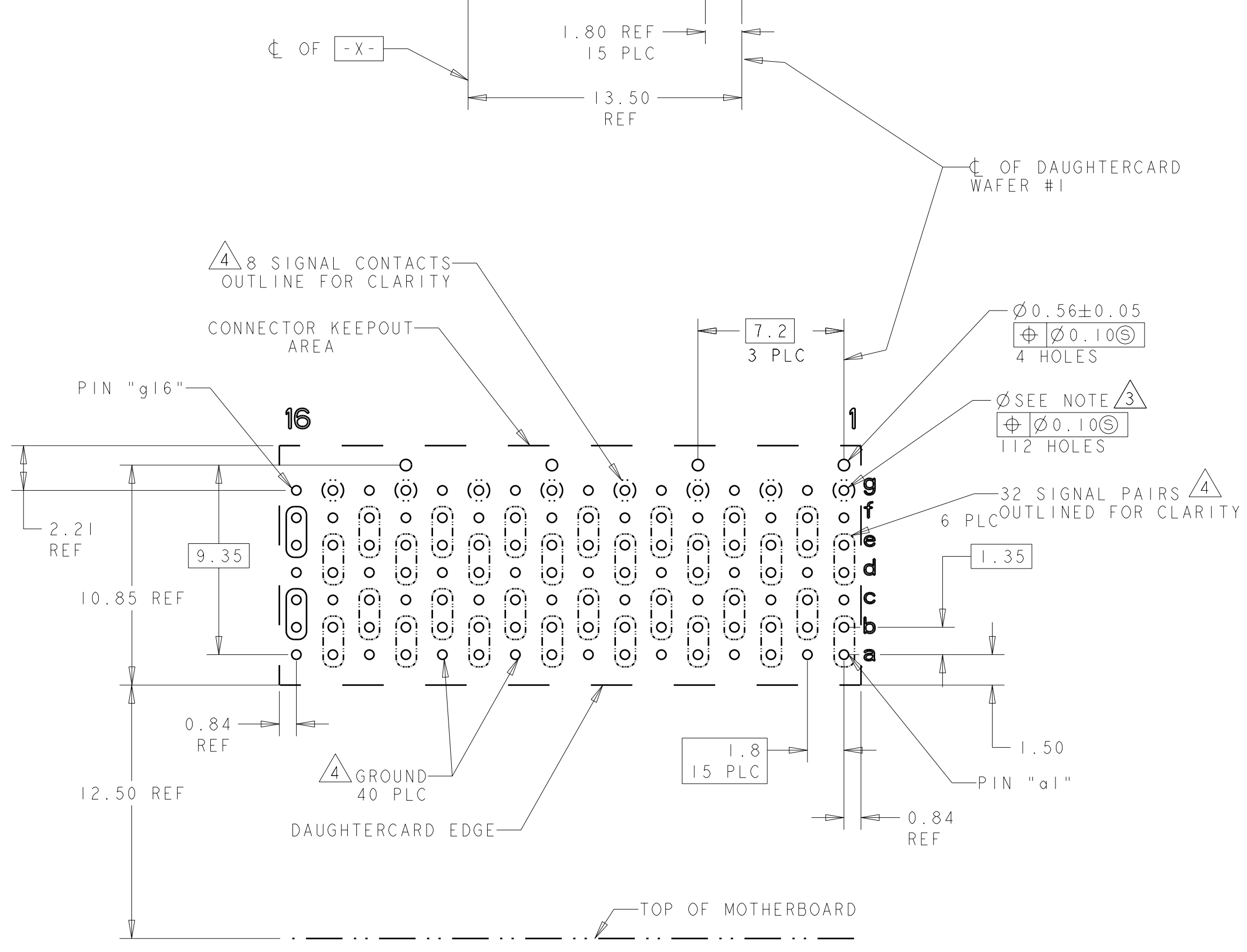
- ⚠ HOUSING: LCP, UL94V0, COLOR: BLACK.
CONTACT: PHOSPHOR BRONZE.
POST: BRASS WIRE
- ⚠ CONTACT: 1.27µm MIN GOLD IN PAD CONTACT AREA
1.27µm MIN TIN-LEAD ON PCB TAIL
OVER 1.27µm MIN NICKEL OVER ALL.
POST 1.27µm MIN NICKEL PLATED.
- ⚠ MANUFACTURING TOLERANCE FOR Ø0.46±0.05
DIAMETER FINISHED HOLE WITH Sn /PB PLATING:
DRILLED HOLE = Ø0.55±0.02
COPPER PLATING = 0.025-0.050
Sn /PB PLATING = 0.0038-0.0124
OR
MANUFACTURING TOLERANCE FOR Ø0.475±0.05
DIAMETER FINISHED HOLE WITHOUT Sn /PB PLATING:
DRILLED HOLE = Ø0.55±0.02
COPPER PLATING = 0.025-0.050
- ⚠ SEE TABLE 1 FOR INTERCONNECTIONS TO BACKPLANE CONNECTOR.

TABLE 1
INTERCONNECTIONS WITH BACKPLANE CONNECTOR 1410140

TYPICAL INTERCONNECTIONS FOR EACH EVEN-NUMBERED COLUMN (WAFER): 2,4,6,8,10,12,14,16		
CONTACT USAGE	DAUGHTERCARD CONNECTOR PIN	BACKPLANE CONNECTOR PIN
SIGNAL PAIR	bx	cx
SIGNAL PAIR	cx	dx
SIGNAL PAIR	ex	gx
SIGNAL PAIR	fx	hx
GROUND	ax, dx, gx, (ALL COMMONED)	ax, bx, ex, fx, ix

TYPICAL INTERCONNECTIONS FOR EACH ODD-NUMBERED COLUMN (WAFER): 1,3,5,7,9,11,13,15		
CONTACT USAGE	DAUGHTERCARD CONNECTOR PIN	BACKPLANE CONNECTOR PIN
SIGNAL PAIR	ax	ax
SIGNAL PAIR	bx	bx
SIGNAL PAIR	dx	ex
SIGNAL PAIR	ex	fx
SIGNAL PAIR	gx	ix
GROUND	cx, fx (ALL COMMONED)	cx, dx, gx, hx

NOTE: "x" DESIGNATES THE COLUMN NUMBER



PC BOARD LAYOUT (CONNECTOR SIDE)
SCALE 5:1

THIS PRODUCT HAS NOT COMPLETED VALIDATION TESTING

THIS PRINT IS
PRELIMINARY
UNQUALIFIED PRODUCT
CONTACT PRODUCT ENGINEERING
BEFORE USING THIS PRINT

DIMENSIONS: mm 		TOLERANCES UNLESS OTHERWISE SPECIFIED: 9 PLC ± 1 PLC ±0.5 2 PLC ±0.13 3 PLC ± 4 PLC ± ANGLES ±1°		DWN: 05AUG2009 BY: Brent D. Toth CHK: M.R. MCALONIS APVD: M.R. MCALONIS PRODUCT SPEC: 108-2072 APPLICATION SPEC: 114-13056 WEIGHT: - CUSTOMER DRAWING		2000877-1 PLATING PART NO	
MATERIAL:		FINISH:		Tyco Electronics Harrisburg, PA 17105-3608		NAME: RIGHT-ANGLE PLUG ASSEMBLY, 7 ROW, CENTER, 20.3mm, MULTIGIG RT2 MGX, DAUGHTERCARD CONNECTOR, VITA 46 SIZE: A1 CAGE CODE: 00779 DRAWING NO: C=2000877 SCALE: 5:1 SHEET 1 OF 1 REV 1	