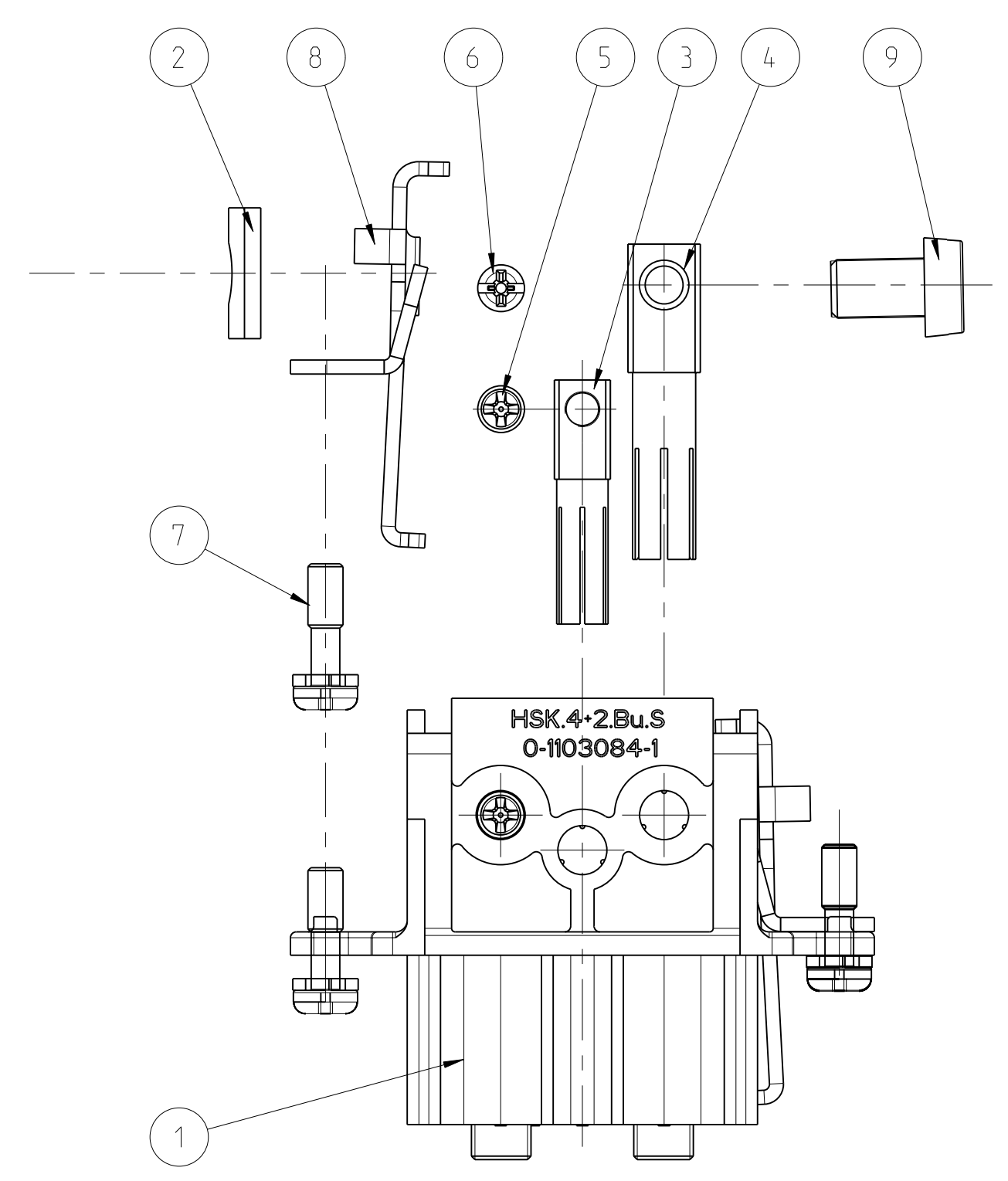
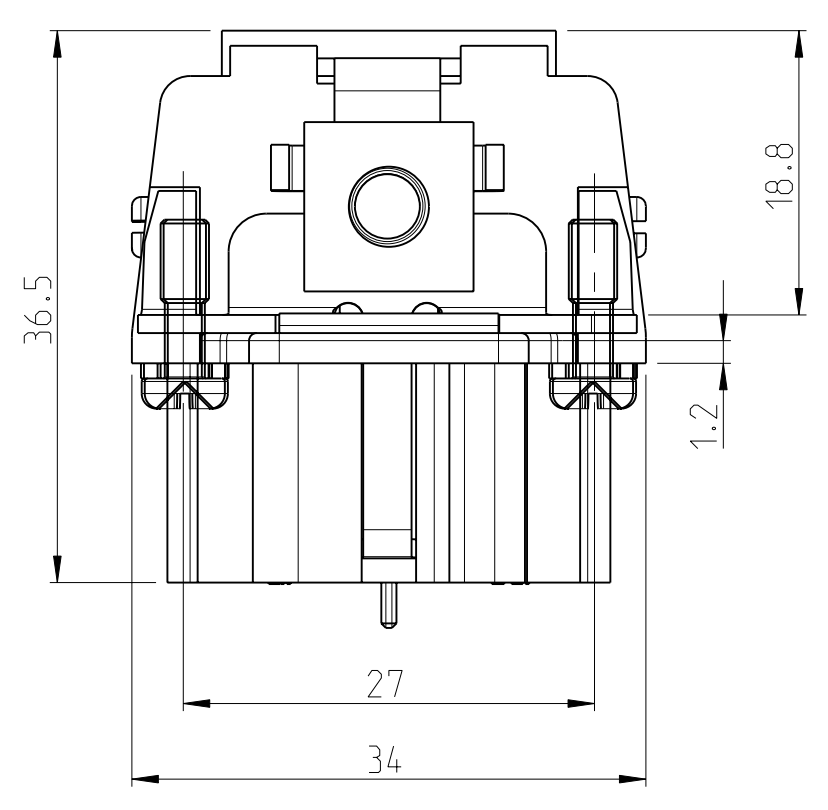
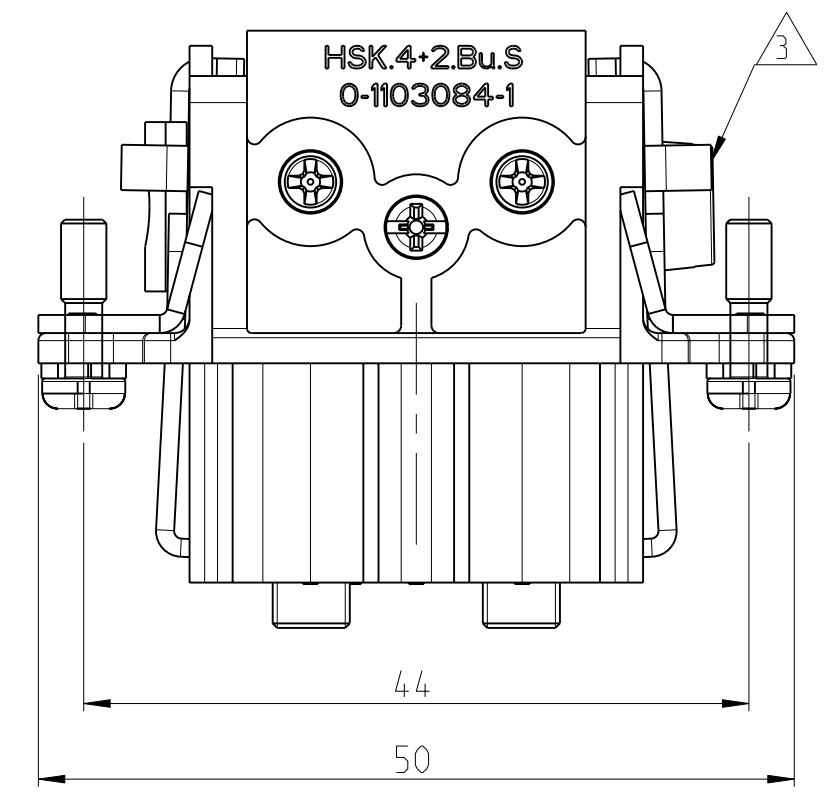
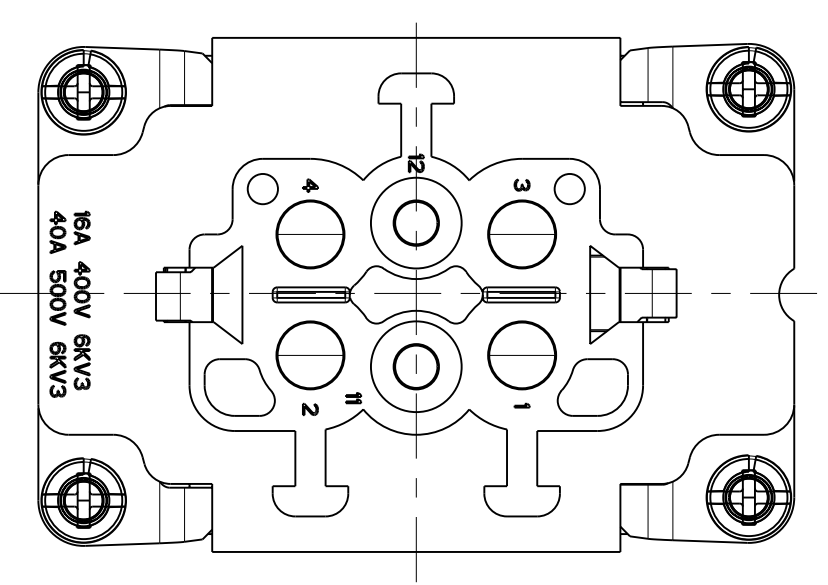


LOC	DIST	REVISIONS			
P	LTR	DESCRIPTION	DATE	DWN	APVD
B1		ECR-09-026756	31AUG2010	SR	ME

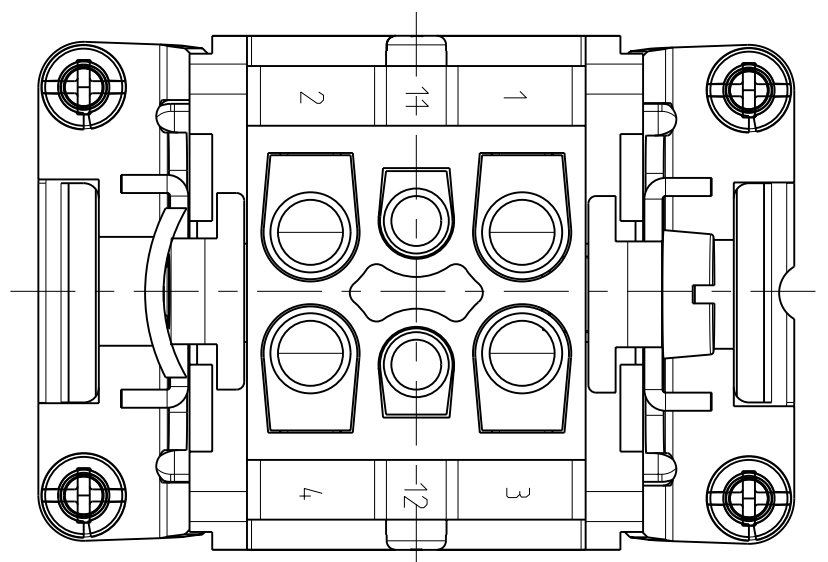
CONTACT ARRANGEMENT
VIEW FROM CONNECTING SIDE



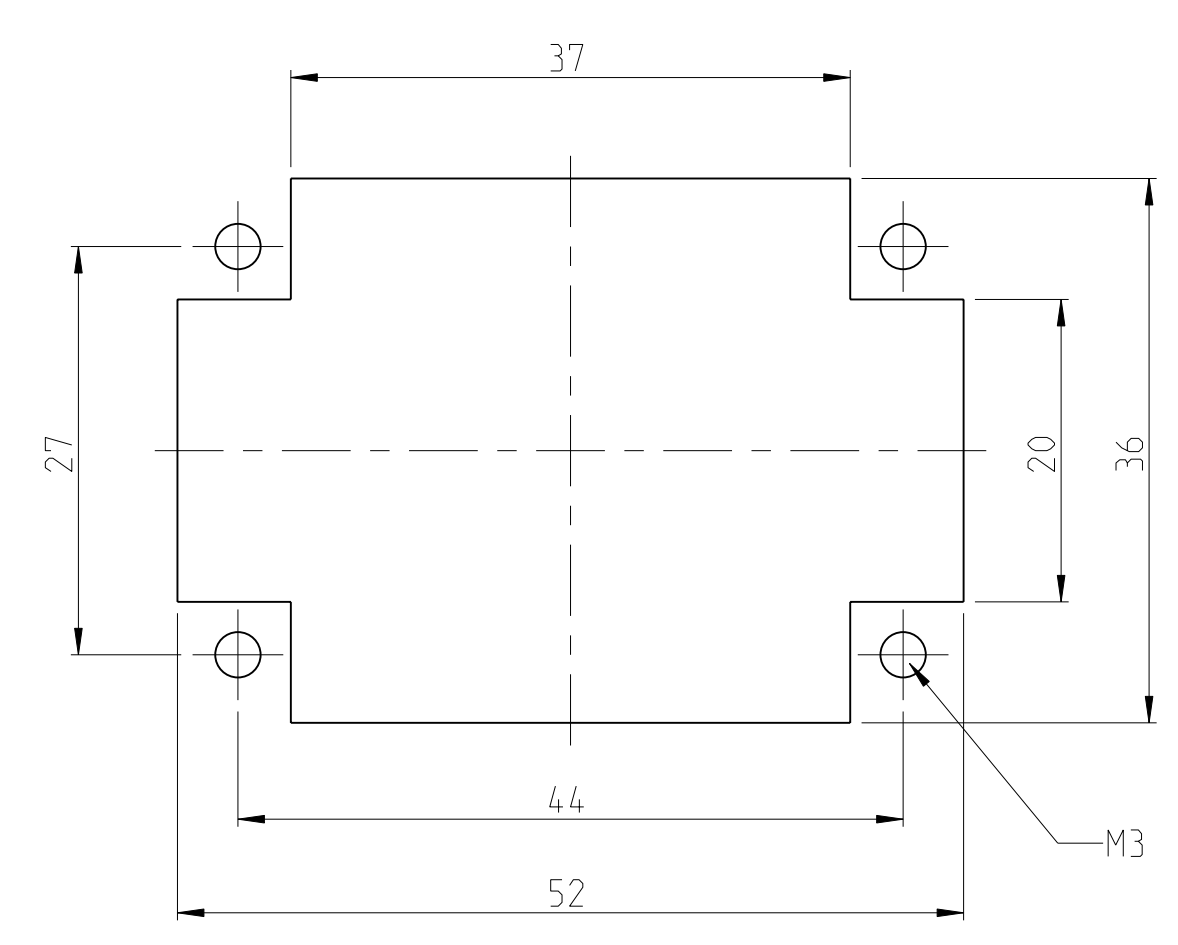
NOTES

- 1 POWER CONTACT: 1 TO 4
OUTER DIMENSIONS OF INSULATION: MAX. Ø6.4MM
- 2 SIGNAL CONTACT: 11 AND 12
OUTER DIMENSIONS OF INSULATION: MAX. Ø4.9MM
- ⚠ GROUNDING CONTACT
- 4 SUITABLE HOOD SIZE 3: SERIES HB, HD, EMV, AND HIP
- 5 STANDARDS:
DIN EN 61984; DIN EN 60664-1
- 6 PACKAGING: 10 PIECES IN A CARTON

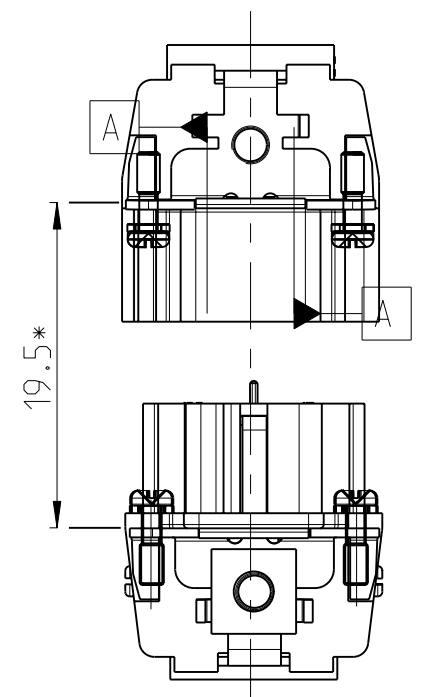
CONTACT ARRANGEMENT
VIEW FROM TERMINATION SIDE



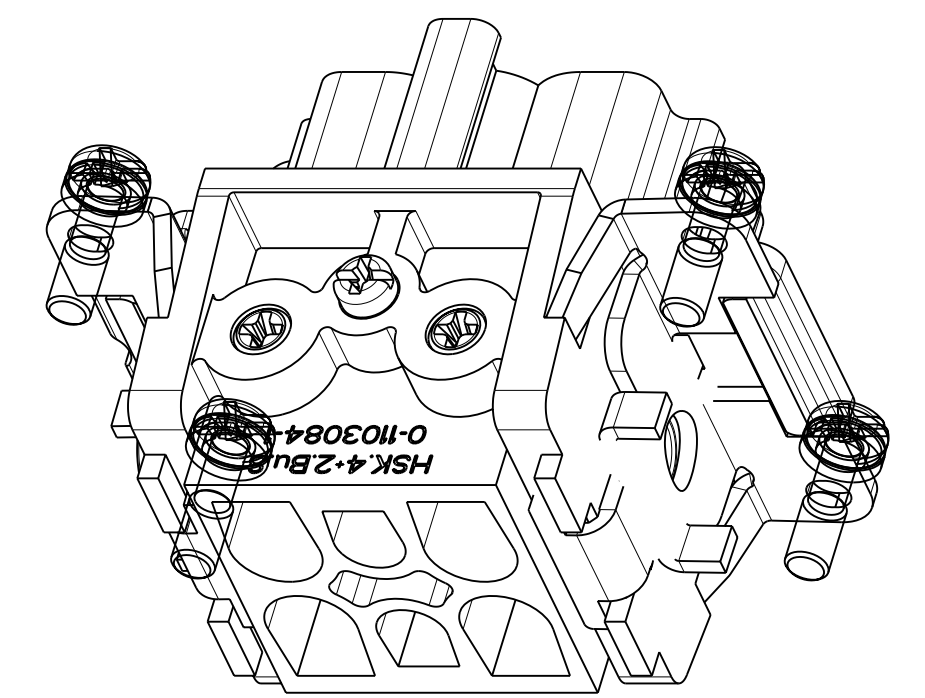
PANEL CUT-OUT CONTACT INSERT
WHEN USED WITHOUT HOUSING



MOUNTING REMARK



* DISTANCE FOR GUARANTEED CONTACT 19.5 TO 21MM



QTY.	DESCRIPTION	MATERIAL	SURFACE	COLOR	NOTE	ITEM
1	SCREW	STEEL	NICKEL PLATED	BLUE	DIN EN ISO 1207-M5x8	9
2	WIRE CONTACT PROTECTION SOCKET HSK	BRASS	NICKEL PLATED	BLUE		8
4	FIXING SCREW	STEEL	NICKEL PLATED	BLUE	M3x10.5	7
2	CONTACT SCREW	STEEL	NICKEL PLATED	BLUE	M3x5.7	6
4	THREAD PIN HSK.4+2	STEEL	NICKEL PLATED	BLUE	M4x8	5
4	CONTACT SOCKET HSK	BRASS	SILVER PLATED			4
2	SOCKET CONTACT	BRASS	SILVER PLATED	BLUE		3
1	CLAMP TAB	STEEL	NICKEL PLATED	BLUE		2
1	FEMALE INSERT	PC-GV20		LIGHT GREY		1
0-1	HSK.4+2.Bu.S					

THIS DRAWING IS A CONTROLLED DOCUMENT. DWN: R.SCHNEIDER 31AUG2010
 CH: T.SCHNURPEL 31AUG2010
 APVD: T.SCHNURPEL

TE Connectivity

PRODUCT SPEC: FEMALE INSERT ASSY HSK.4+2

APPLICATION SPEC: -

SIZE: A1 CAGE CODE: 00779 DRAWING NO: C=1103084

WEIGHT: -

CUSTOMER DRAWING

SCALE: 2:1 SHEET: 1 OF 1 REV: B1