

SUMMARY

Wires

Low voltage 6



Image is for illustrative purpose only

Series 2P
Termination type Male solder
IP rating 50
AWG wire size 28.00 - 20.00
Cable Ø 3.20 - 5.20 mm
Status active
Matching parts [CKB.M06.GLLG](#)

Download

[Request a quote](#)

[Eplan](#)

[Catalog](#)

TECHNICAL DETAILS

Mechanics

Shell Style/Model CA*: Straight plug with cable collet and nut for fitting a bend relief
Keying 3 keys (alpha=0, gamma=60; Plug: male contacts; Receptacle: female contacts)
Housing Material PSU (Polysulfone), gray
Weight 9.17 g

Performance

Configuration 2P.M06 : 6 Low V.
Insulator L: PEEK for solder contacts
Rated Current 12 Amps

Specifications

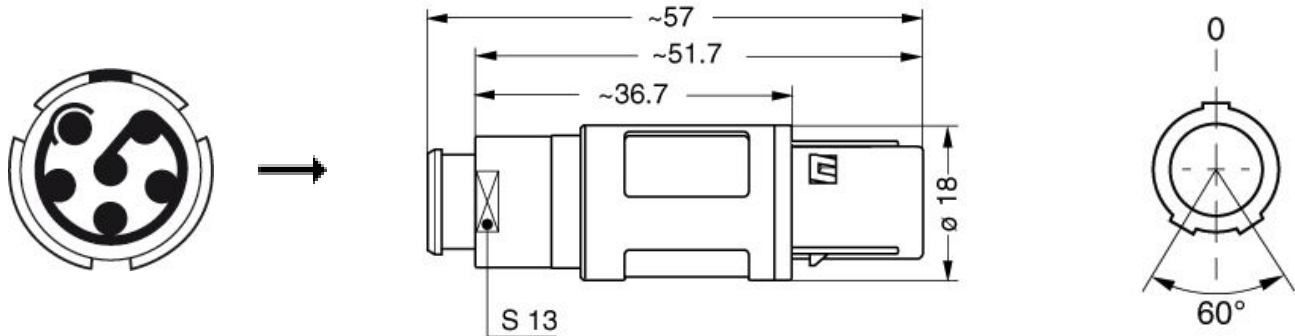
Contact Type: Solder
Contact Dia.: 1.3 mm (0.051in)
Bucket Dia.: 1.1 mm (0.043in)
Test voltage (kV rms) Contact-contact: 1.35
Air clearance min.: 1.1 mm
Creepage distance min.: 1.1 mm

Others

LEMO products and services are provided "as is". LEMO makes no warranties or representations with regard to LEMO product & services or use of them, express, implied or statutory, including for accuracy, completeness, or security. The user is fully responsible for his products and applications using LEMO components.

Endurance (Shell): >1000 mating cycles
 Temp (min / max): -50°C / +150°C
 F ret (min): 150 N
 F ret (max): 250 N
 Steam sterilization: 20 times (with potting on rear connection)

DRAWINGS



RECOMMENDED BY LEMO

Tools

Cables

CMN.06.T26.037QGZE	TPR (medical)	Grey	
CMN.06.T28.042QBCE	TPR (medical)		
CMN.06.T28.044PGZE		Grey	

CMN.06.T28.044PNZE			
106240	PTFE	White	
160140	PVC	Grey	
160260	PVC	Black	
60260	PTFE	White	
6280	PVC	Black	

LEMO products and services are provided "as is". LEMO makes no warranties or representations with regard to LEMO product & services or use of them, express, implied or statutory, including for accuracy, completeness, or security. The user is fully responsible for his products and applications using LEMO components.