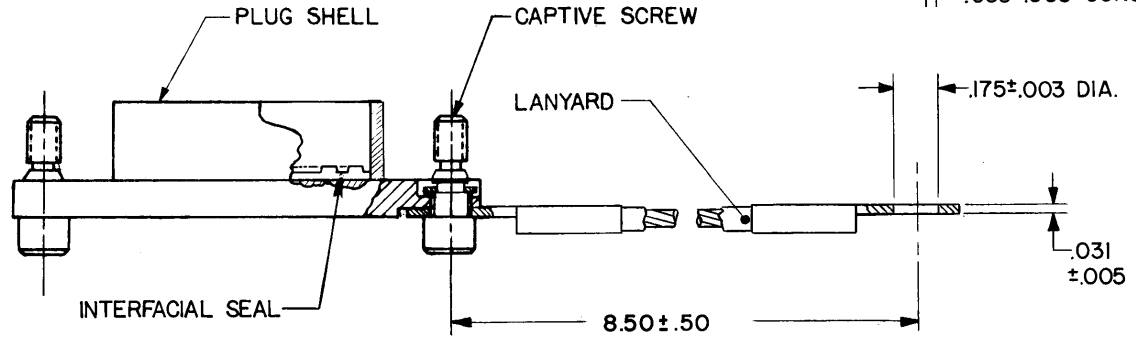
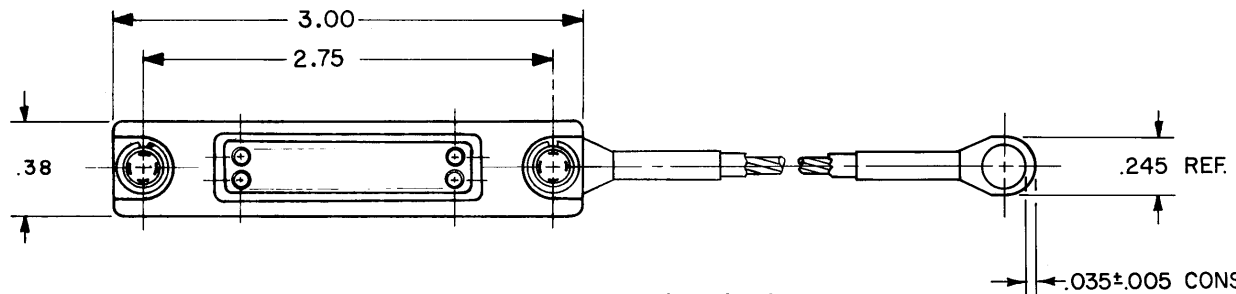


REVISIONS			
LTR	DESCRIPTION	DATE	APPROVED
NC	INITIAL RELEASE PER DCR# T-30073	9/25/2001	M.HIGGY



NOTES:

1. SEALING:

PROTECTIVE CAP DESIGNED TO ENVIRONMENTALLY SEAL THE MATING RECEPTACLE CONNECTOR, 2" MTC 100 SERIES WITH SOCKET CONTACTS.

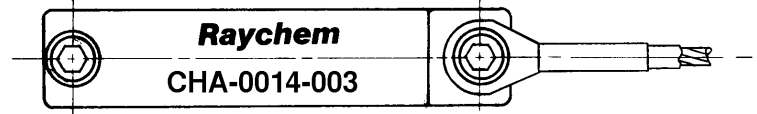
2. MATERIALS AND FINISHES:

PLUG SHELL: ALUMINUM ALLOY PER QQ-A-591
CADMIUM PLATED PER QQ-P-416
OVER NICKEL UNDERPLATE

INTERFACIAL SEAL:
SILICONE ELASTOMER PER MIL-R-25988

LANYARD: STAINLESS STEEL
CADMIUM PLATED PER QQ-P-416

CAPTIVE SCREW: STAINLESS STEEL PER
QQ-S-763, 300 SERIES
CADMIUM PLATED PER QQ-P-416



SPECIFICATION CONTROL DRAWING

UNLESS OTHERWISE SPECIFIED DIMENSIONS ARE IN INCHES AND TOLERANCES ARE: .XXX : ± .010 .XX : ± .015 — : ±	DRAWN	ZSOFIA O. 9/25/2001	TYCO/ELECTRONICS/RAYCHEM		WIRE AND HARNESSING PRODUCTS 307 CONSTITUTION DRIVE MENLO PARK, CALIFORNIA 94025	
	CHECKED		TITLE		PROTECTIVE CAP, PLUG WITH PIN INSERT, CADMIUM PLATED	
	APPROVED	M.HIGGY. 9/25/2001			2-INCH MTC 100 SERIES	
MATERIAL	APPROVED		SIZE	CODE IDENT.	DWG. NO.	
	APPROVED		B	NO. 06090	CHA-0014-003	
FINISH	CAD FILE:	T30073.tif	SCALE	WEIGHT	SHEET	OF
	RPN:	757110				

If this document is printed it becomes uncontrolled.
Check with the web for latest revision.