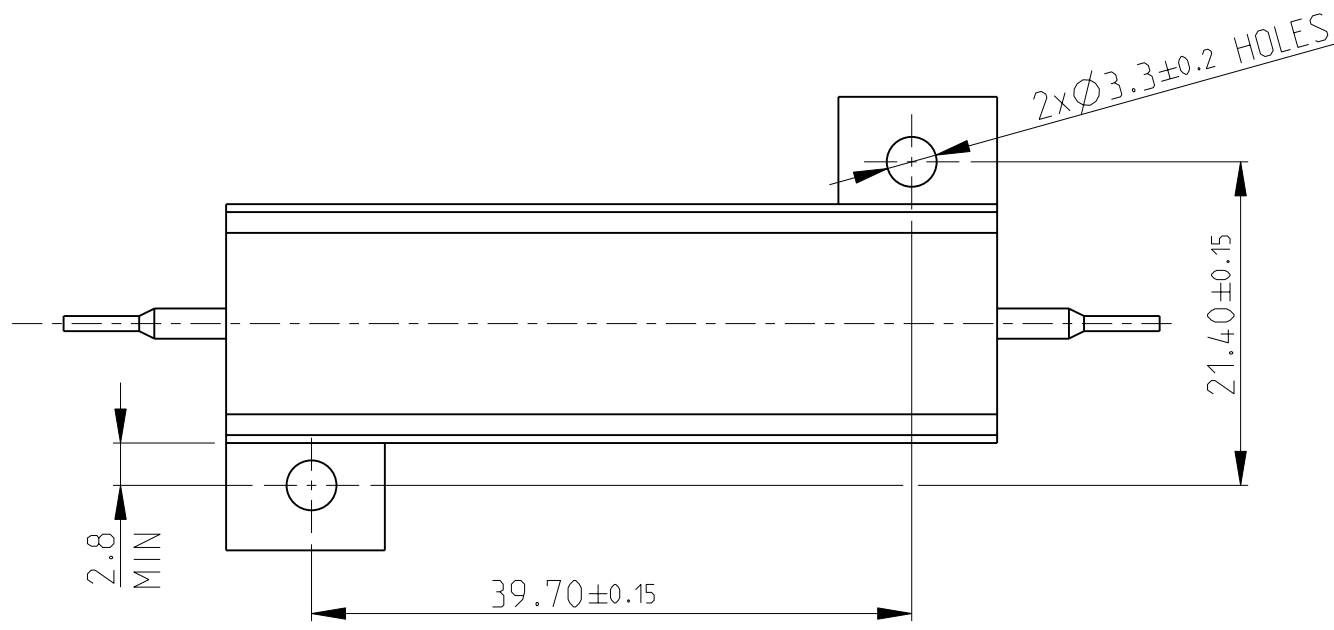


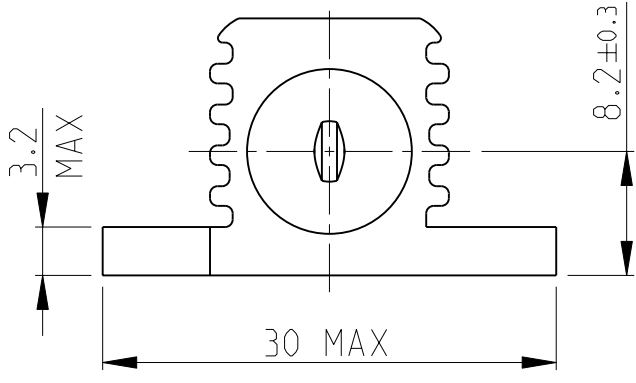
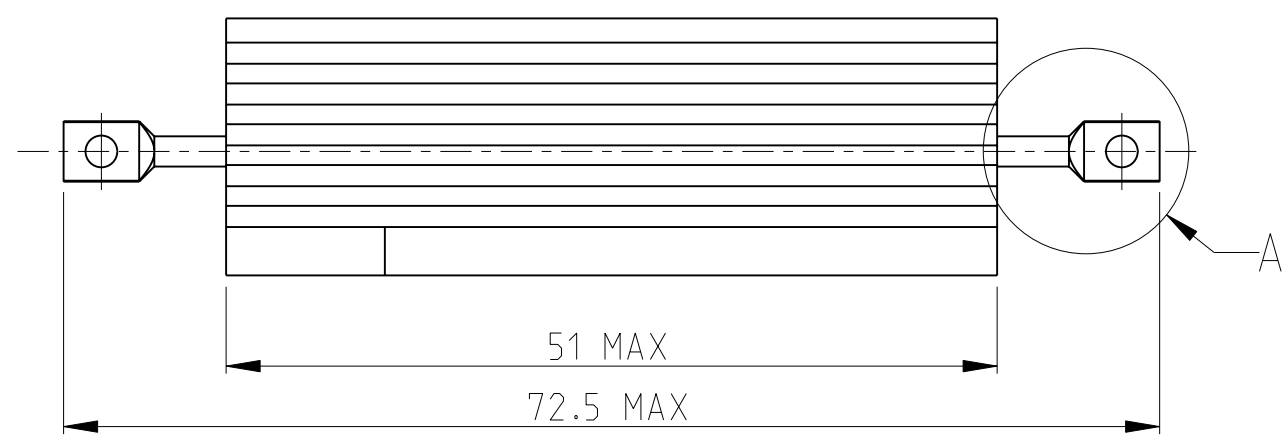
THIS DRAWING IS UNPUBLISHED. RELEASED FOR PUBLICATION OCT. 2005
 © COPYRIGHT 2005 BY TYCO ELECTRONICS CORPORATION. ALL RIGHTS RESERVED.

| LOC | DIST | REVISIONS | | | | |
|-----|------|-------------|-------------------------------|----------|------|----|
| P | LTR | DESCRIPTION | DATE | DWN | APVD | |
| E | B | D1 | Released as per ECR-08-022292 | 4-Sep-08 | SP | JC |

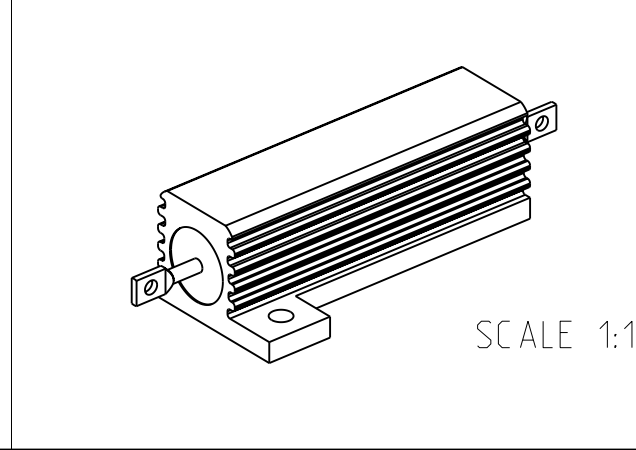


- 1 FOR FURTHER INFORMATION SEE DATA SHEET FOR HS SERIES-ALUMINIUM HOUSED RESISTORS
- 2 FOR A SPECIFIC PN FOR A RESISTANCE VALUE AND TOLERANCE, PLEASE REFER TO DMF
- 3 TECHNICAL SPECIFICATION

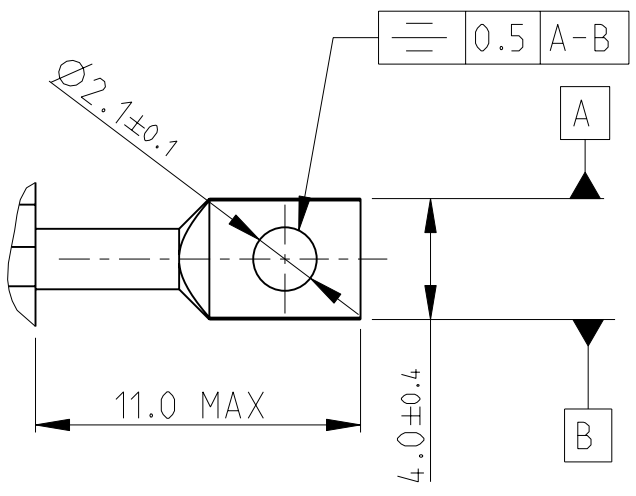
DISSIPATION AT 25°C : 50 WATTS MOUNTED ON STANDARD HEATSINK
 BS OHMIC RANGE : R051 TO 72K
 STABILITY : ΔR < =1% PER 1000Hrs
 ISOLATION VOLTAGE : 2500V DC/AC pk
 MAX WORKING VOLTAGE : 1250V DC/AC rms
 TEMP COEFFICIENT : > 1R0 50ppm
 > 100R 25ppm
 CLIMATIC CATEGORY : 55/200/56



RoHS Compliant



DETAIL A
SCALE 4:1



| | | | | | |
|--|--|----------------------------|--|----------------------|-----------------|
| THIS DRAWING IS A CONTROLLED DOCUMENT FOR TYCO ELECTRONICS CORPORATION IT IS SUBJECT TO CHANGE AND THE CONTROLLING ENGINEERING ORGANIZATION SHOULD BE CONTACTED FOR THE LATEST REVISION. | | DWN DAVE KENNEDY 22.SEP.05 | Tyco Electronics Corporation Dorcan, Swindon, SN3 5HH | | |
| DIMENSIONS: mm | | CHK J CATCHPOLE 23.SEP.05 | NAME NNSA50 | | |
| TOLERANCES UNLESS OTHERWISE SPECIFIED: | | APVD J CATCHPOLE 23.SEP.05 | PRODUCT SPEC - | | |
| 0 PLC ±0.5 | | APPLICATION SPEC - | | | |
| 1 PLC ±0.2 | | WEIGHT - | | | |
| 2 PLC ±0.1 | | SIZE A3 | CAGE CODE 00779 | DRAWING NO C-1625985 | RESTRICTED TO - |
| 3 PLC ± | | CUSTOMER DRAWING | | | |
| 4 PLC ± | | SCALE 3:1 | | | |
| ANGLES ±5° | | SHEET 1 OF 1 | | | |
| FINISH - | | REV D1 | | | |