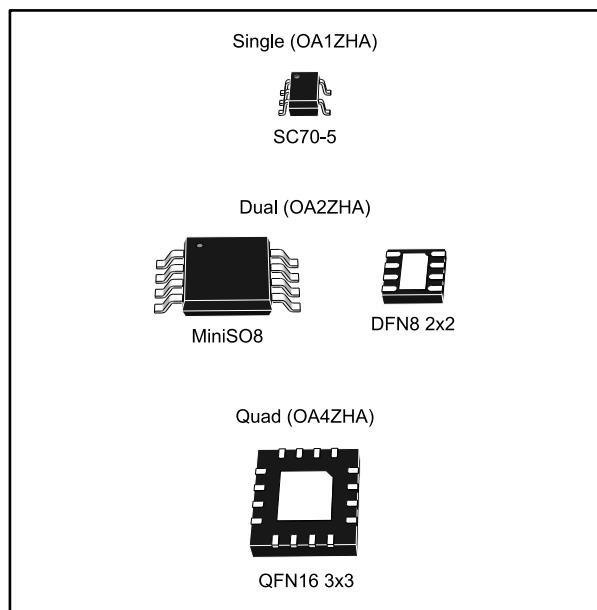


## High precision 5 $\mu$ V zero drift, low-power op amps

Datasheet - production data



### Features

- Very high accuracy and stability: offset voltage 5  $\mu$ V max at 25  $^{\circ}$ C, 8  $\mu$ V over full temperature range (-40  $^{\circ}$ C to 125  $^{\circ}$ C)
- Rail-to-rail input and output
- Low supply voltage: 1.8 - 5.5 V
- Low power consumption: 40  $\mu$ A max. at 5 V
- Gain bandwidth product: 400 kHz
- High tolerance to ESD: 4 kV HBM
- Extended temperature range: -40 to 125  $^{\circ}$ C
- Micro-packages: SC70-5, DFN8 2x2, and QFN16 3x3

### Benefits

- High precision operational amplifiers (op amps) with no need for calibration
- Accuracy virtually unaffected by temperature change

### Applications

- Wearable
- Fitness and healthcare
- Medical instrumentation

### Description

The OA1ZHA, OA2ZHA, OA4ZHA series of low-power, high-precision op amps offers very low input offset voltages with virtually zero drift.

OA1ZHA, OA2ZHA, OA4ZHA are respectively the single, dual and quad op amp versions, with pinout compatible with industry standards.

The OA1ZHA, OA2ZHA, OA4ZHA series offers rail-to-rail input and output, excellent speed/power consumption ratio, and 400 kHz gain bandwidth product, while consuming less than 40  $\mu$ A at 5 V. All devices also feature an ultra-low input bias current.

The OA1ZHA, OA2ZHA, OA4ZHA family is the ideal choice for wearable, fitness and healthcare applications.

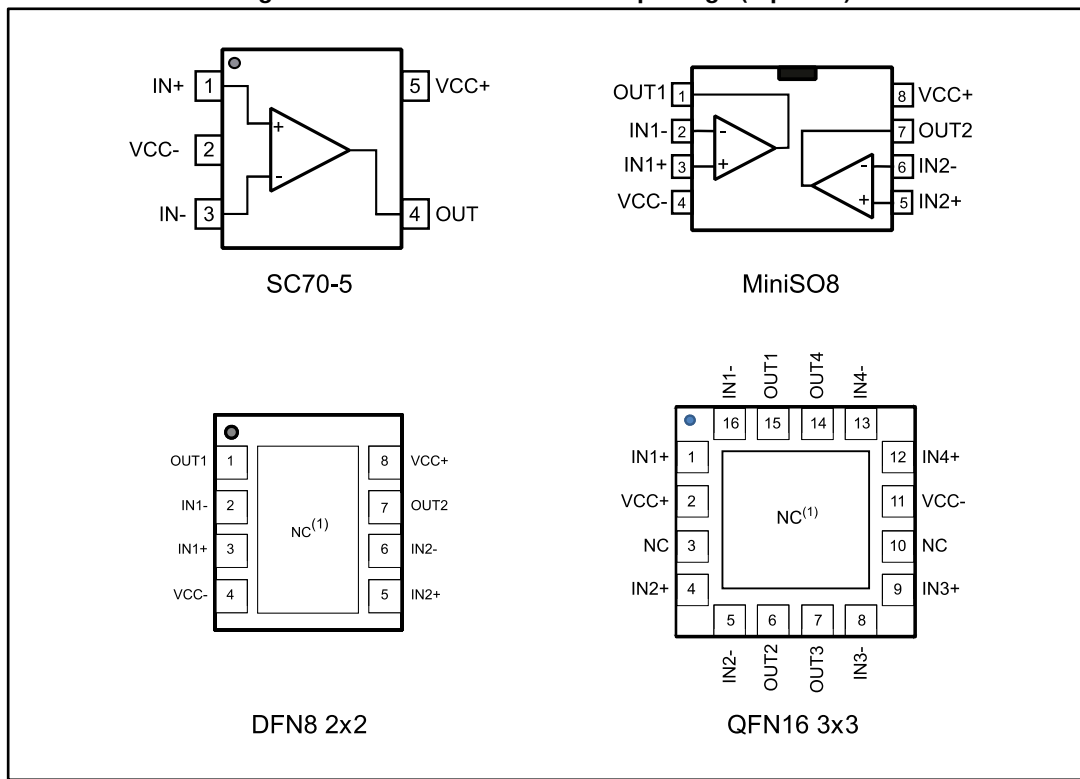
---

**Contents**

<b>1</b>	<b>Package pin connections.....</b>	<b>3</b>
<b>2</b>	<b>Absolute maximum ratings and operating conditions .....</b>	<b>4</b>
<b>3</b>	<b>Electrical characteristics .....</b>	<b>5</b>
<b>4</b>	<b>Electrical characteristic curves .....</b>	<b>11</b>
<b>5</b>	<b>Application information .....</b>	<b>17</b>
5.1	Operation theory .....	17
5.1.1	Time domain.....	17
5.1.2	Frequency domain.....	18
5.2	Operating voltages.....	19
5.3	Input pin voltage ranges.....	19
5.4	Rail-to-rail input.....	19
5.5	Input offset voltage drift over temperature.....	20
5.6	Rail-to-rail output.....	20
5.7	Capacitive load.....	21
5.8	PCB layout recommendations.....	21
5.9	Optimized application recommendation .....	22
5.10	EMI rejection ration (EMIRR) .....	22
5.11	Application examples .....	23
5.11.1	Oxygen sensor .....	23
5.11.2	Precision instrumentation amplifier .....	24
5.11.3	Low-side current sensing.....	24
<b>6</b>	<b>Package information .....</b>	<b>26</b>
6.1	SC70-5 (or SOT323-5) package information.....	27
6.2	MiniSO8 package information .....	28
6.3	DFN8 2x2 package information.....	29
6.4	QFN16 3x3 package information.....	31
<b>7</b>	<b>Ordering information.....</b>	<b>33</b>
<b>8</b>	<b>Revision history .....</b>	<b>34</b>

# 1 Package pin connections

Figure 1: Pin connections for each package (top view)



1. The exposed pads of the DFN8 2x2 and the QFN16 3x3 can be connected to VCC- or left floating.

## 2 Absolute maximum ratings and operating conditions

Table 1: Absolute maximum ratings (AMR)

Symbol	Parameter	Value	Unit	
V <sub>CC</sub>	Supply voltage <sup>(1)</sup>	6	V	
V <sub>id</sub>	Differential input voltage <sup>(2)</sup>	±V <sub>CC</sub>		
V <sub>in</sub>	Input voltage <sup>(3)</sup>	(V <sub>CC-</sub> ) - 0.2 to (V <sub>CC+</sub> ) + 0.2		
I <sub>in</sub>	Input current <sup>(4)</sup>	10	mA	
T <sub>stg</sub>	Storage temperature	-65 to 150	°C	
T <sub>j</sub>	Maximum junction temperature	150		
R <sub>thja</sub>	Thermal resistance junction-to-ambient <sup>(5)/(6)</sup>	SC70-5	205	°C/W
		MiniSO8	190	
		DFN8 2x2	57	
		QFN16 3x3	39	
ESD	HBM: human body model <sup>(7)</sup>	OA1ZHA only	4	kV
	MM: machine model <sup>(8)</sup>		300	V
	CDM: charged device model		1.5	kV
		QFN16 3x3	TBD	
	Latch-up immunity	200	mA	

**Notes:**

- <sup>(1)</sup>All voltage values, except differential voltage, are with respect to network ground terminal.
- <sup>(2)</sup>The differential voltage is the non-inverting input terminal with respect to the inverting input terminal.
- <sup>(3)</sup>V<sub>CC</sub> - V<sub>in</sub> must not exceed 6 V, V<sub>in</sub> must not exceed 6 V.
- <sup>(4)</sup>Input current must be limited by a resistor in series with the inputs.
- <sup>(5)</sup>R<sub>th</sub> are typical values.
- <sup>(6)</sup>Short-circuits can cause excessive heating and destructive dissipation.
- <sup>(7)</sup>Human body model: 100 pF discharged through a 1.5 kΩ resistor between two pins of the device, done for all couples of pin combinations with other pins floating.
- <sup>(8)</sup>Machine model: a 200 pF cap is charged to the specified voltage, then discharged directly between two pins of the device with no external series resistor (internal resistor < 5 Ω), done for all couples of pin combinations with other pins floating.

Table 2: Operating conditions

Symbol	Parameter	Value	Unit
V <sub>CC</sub>	Supply voltage	1.8 to 5.5	V
V <sub>icm</sub>	Common mode input voltage range	(V <sub>CC-</sub> ) - 0.1 to (V <sub>CC+</sub> ) + 0.1	
T <sub>oper</sub>	Operating free air temperature range	-40 to 125	°C

### 3 Electrical characteristics

Table 3: Electrical characteristics at VCC+ = 1.8 V with VCC- = 0 V, Vicm = VCC/2, T = 25 °C, and RL = 10 kΩ connected to VCC/2 (unless otherwise specified)

Symbol	Parameter	Conditions	Min.	Typ.	Max.	Unit
<b>DC performance</b>						
V <sub>io</sub>	Input offset voltage	T = 25 °C		1	5	μV
		-40 °C < T < 125 °C			8	
ΔV <sub>io</sub> /ΔT	Input offset voltage drift <sup>(1)</sup>	-40 °C < T < 125 °C		10	30	nV/°C
I <sub>ib</sub>	Input bias current (V <sub>out</sub> = V <sub>CC</sub> /2)	T = 25 °C		50	200 <sup>(2)</sup>	pA
		-40 °C < T < 125 °C			300 <sup>(2)</sup>	
I <sub>io</sub>	Input offset current (V <sub>out</sub> = V <sub>CC</sub> /2)	T = 25 °C		100	400 <sup>(2)</sup>	pA
		-40 °C < T < 125 °C			600 <sup>(2)</sup>	
CMR	Common mode rejection ratio, 20 log (ΔV <sub>icm</sub> /ΔV <sub>io</sub> ), V <sub>ic</sub> = 0 V to V <sub>CC</sub> , V <sub>out</sub> = V <sub>CC</sub> /2, R <sub>L</sub> > 1 MΩ	T = 25 °C	110	122		dB
		-40 °C < T < 125 °C	110			
A <sub>vd</sub>	Large signal voltage gain, V <sub>out</sub> = 0.5 V to (V <sub>CC</sub> - 0.5 V)	T = 25 °C	118	135		dB
		-40 °C < T < 125 °C	110			
V <sub>OH</sub>	High-level output voltage	T = 25 °C			30	mV
		-40 °C < T < 125 °C			70	
V <sub>OL</sub>	Low-level output voltage	T = 25 °C			30	mV
		-40 °C < T < 125 °C			70	
I <sub>out</sub>	I <sub>sink</sub> (V <sub>out</sub> = V <sub>CC</sub> )	T = 25 °C	7	8		mA
		-40 °C < T < 125 °C	6			
	I <sub>source</sub> (V <sub>out</sub> = 0 V)	T = 25 °C	5	7		
		-40 °C < T < 125 °C	4			
I <sub>CC</sub>	Supply current (per amplifier), V <sub>out</sub> = V <sub>CC</sub> /2, R <sub>L</sub> > 1 MΩ)	T = 25 °C		28	40	μA
		-40 °C < T < 125 °C			40	
<b>AC performance</b>						
GBP	Gain bandwidth product	R <sub>L</sub> = 10 kΩ, C <sub>L</sub> = 100 pF		400		kHz
F <sub>u</sub>	Unity gain frequency			300		
φ <sub>m</sub>	Phase margin			55		Degrees
G <sub>m</sub>	Gain margin			17		dB
SR	Slew rate <sup>(3)</sup>			0.17		V/μs
t <sub>s</sub>	Setting time		To 0.1 %, V <sub>in</sub> = 1 V <sub>p-p</sub> , R <sub>L</sub> = 10 kΩ, C <sub>L</sub> = 100 pF		50	
e <sub>n</sub>	Equivalent input noise voltage	f = 1 kHz		60		nV/√Hz
		f = 10 kHz		60		
C <sub>s</sub>	Channel separation	f = 100 Hz		120		dB
t <sub>init</sub>	Initialization time	T = 25 °C		50		μs
		-40 °C < T < 125 °C		100		

**Notes:**

<sup>(1)</sup>See [Section 5.5: "Input offset voltage drift over temperature"](#). Input offset measurements are performed on x100 gain configuration. The amplifiers and the gain setting resistors are at the same temperature.

<sup>(2)</sup>Guaranteed by design

<sup>(3)</sup>Slew rate value is calculated as the average between positive and negative slew rates.

**Table 4: Electrical characteristics at VCC+ = 3.3 V with VCC- = 0 V, Vicm = VCC/2, T = 25 °C, and RL = 10 kΩ connected to VCC/2 (unless otherwise specified)**

Symbol	Parameter	Conditions	Min.	Typ.	Max.	Unit
<b>DC performance</b>						
V <sub>io</sub>	Input offset voltage	T = 25 °C		1	5	μV
		-40 °C < T < 125 °C			8	
ΔV <sub>io</sub> /ΔT	Input offset voltage drift <sup>(1)</sup>	-40 °C < T < 125 °C		10	30	nV/°C
I <sub>ib</sub>	Input bias current (V <sub>out</sub> = V <sub>CC</sub> /2)	T = 25 °C		60	200 <sup>(2)</sup>	pA
		-40 °C < T < 125 °C			300 <sup>(2)</sup>	
I <sub>io</sub>	Input offset current (V <sub>out</sub> = V <sub>CC</sub> /2)	T = 25 °C		120	400 <sup>(2)</sup>	pA
		-40 °C < T < 125 °C			600 <sup>(2)</sup>	
CMR	Common mode rejection ratio, 20 log (ΔV <sub>icm</sub> /ΔV <sub>io</sub> ), V <sub>ic</sub> = 0 V to V <sub>CC</sub> , V <sub>out</sub> = V <sub>CC</sub> /2, R <sub>L</sub> > 1 MΩ	T = 25 °C	115	128		dB
		-40 °C < T < 125 °C	115			
A <sub>vd</sub>	Large signal voltage gain, V <sub>out</sub> = 0.5 V to (V <sub>CC</sub> - 0.5 V)	T = 25 °C	118	135		dB
		-40 °C < T < 125 °C	110			
V <sub>OH</sub>	High-level output voltage	T = 25 °C			30	mV
		-40 °C < T < 125 °C			70	
V <sub>OL</sub>	Low-level output voltage	T = 25 °C			30	mV
		-40 °C < T < 125 °C			70	
I <sub>out</sub>	I <sub>sink</sub> (V <sub>out</sub> = V <sub>CC</sub> )	T = 25 °C	15	18		mA
		-40 °C < T < 125 °C	12			
	I <sub>source</sub> (V <sub>out</sub> = 0 V)	T = 25 °C	14	16		
		-40 °C < T < 125 °C	10			
I <sub>CC</sub>	Supply current (per amplifier), V <sub>out</sub> = V <sub>CC</sub> /2, R <sub>L</sub> > 1 MΩ)	T = 25 °C		29	40	μA
		-40 °C < T < 125 °C			40	
<b>AC performance</b>						
GBP	Gain bandwidth product	R <sub>L</sub> = 10 kΩ, C <sub>L</sub> = 100 pF		400		kHz
F <sub>u</sub>	Unity gain frequency			300		
φ <sub>m</sub>	Phase margin			56		Degrees
G <sub>m</sub>	Gain margin			19		dB
SR	Slew rate <sup>(3)</sup>			0.19		V/μs
t <sub>s</sub>	Setting time	To 0.1 %, V <sub>in</sub> = 1 V <sub>p-p</sub> , R <sub>L</sub> = 10 kΩ, C <sub>L</sub> = 100 pF		50		μs
e <sub>n</sub>	Equivalent input noise voltage	f = 1 kHz		40		nV/√Hz
		f = 10 kHz		40		
C <sub>s</sub>	Channel separation	f = 100 Hz		120		dB
t <sub>init</sub>	Initialization time	T = 25 °C		50		μs
		-40 °C < T < 125 °C		100		

**Notes:**



<sup>(1)</sup>See [Section 5.5: "Input offset voltage drift over temperature"](#). Input offset measurements are performed on x100 gain configuration. The amplifiers and the gain setting resistors are at the same temperature.

<sup>(2)</sup>Guaranteed by design

<sup>(3)</sup>Slew rate value is calculated as the average between positive and negative slew rates.



Table 5: Electrical characteristics at VCC+ = 5 V with VCC- = 0 V, Vicm = VCC/2, T = 25 °C, and RL = 10 kΩ connected to VCC/2 (unless otherwise specified)

Symbol	Parameter	Conditions	Min.	Typ.	Max.	Unit
<b>DC performance</b>						
V <sub>io</sub>	Input offset voltage	T = 25 °C		1	5	μV
		-40 °C < T < 125 °C			8	
ΔV <sub>io</sub> /ΔT	Input offset voltage drift <sup>(1)</sup>	-40 °C < T < 125 °C		10	30	nV/°C
I <sub>ib</sub>	Input bias current (V <sub>out</sub> = V <sub>CC</sub> /2)	T = 25 °C		70	200 <sup>(2)</sup>	pA
		-40 °C < T < 125 °C			300 <sup>(2)</sup>	
I <sub>io</sub>	Input offset current (V <sub>out</sub> = V <sub>CC</sub> /2)	T = 25 °C		140	400 <sup>(2)</sup>	pA
		-40 °C < T < 125 °C			600 <sup>(2)</sup>	
CMR	Common mode rejection ratio, 20 log (ΔV <sub>icm</sub> /ΔV <sub>io</sub> ), V <sub>ic</sub> = 0 V to V <sub>CC</sub> , V <sub>out</sub> = V <sub>CC</sub> /2, R <sub>L</sub> > 1 MΩ	T = 25 °C	115	136		dB
		-40 °C < T < 125 °C	115			
SVR	Supply voltage rejection ratio, 20 log (ΔV <sub>CC</sub> /ΔV <sub>io</sub> ), V <sub>CC</sub> = 1.8 V to 5.5 V, V <sub>out</sub> = V <sub>CC</sub> /2, R <sub>L</sub> > 1 MΩ	T = 25 °C	120	140		dB
		-40 °C < T < 125 °C	120			
A <sub>vd</sub>	Large signal voltage gain, V <sub>out</sub> = 0.5 V to (V <sub>CC</sub> - 0.5 V)	T = 25 °C	120	135		dB
		-40 °C < T < 125 °C	110			
EMIRR <sup>(3)</sup>	EMI rejection rate = -20 log (V <sub>RFpeak</sub> /ΔV <sub>io</sub> )	V <sub>RF</sub> = 100 mV <sub>p</sub> , f = 400 MHz		84		dB
		V <sub>RF</sub> = 100 mV <sub>p</sub> , f = 900 MHz		87		
		V <sub>RF</sub> = 100 mV <sub>p</sub> , f = 1800 MHz		90		
		V <sub>RF</sub> = 100 mV <sub>p</sub> , f = 2400 MHz		91		
V <sub>OH</sub>	High-level output voltage	T = 25 °C			30	mV
		-40 °C < T < 125 °C			70	
V <sub>OL</sub>	Low-level output voltage	T = 25 °C			30	mV
		-40 °C < T < 125 °C			70	
I <sub>out</sub>	I <sub>sink</sub> (V <sub>out</sub> = V <sub>CC</sub> )	T = 25 °C	15	18		mA
		-40 °C < T < 125 °C	14			
	I <sub>source</sub> (V <sub>out</sub> = 0 V)	T = 25 °C	14	17		
		-40 °C < T < 125 °C	12			
I <sub>CC</sub>	Supply current (per amplifier), V <sub>out</sub> = V <sub>CC</sub> /2, R <sub>L</sub> > 1 MΩ	T = 25 °C		31	40	μA
		-40 °C < T < 125 °C			40	
<b>AC performance</b>						
GBP	Gain bandwidth product	R <sub>L</sub> = 10 kΩ, C <sub>L</sub> = 100 pF		400		kHz
F <sub>u</sub>	Unity gain frequency			300		
φ <sub>m</sub>	Phase margin			53		Degrees
G <sub>m</sub>	Gain margin			19		dB
SR	Slew rate <sup>(4)</sup>			0.19		V/μs

## Electrical characteristics

## OA1ZHA, OA2ZHA, OA4ZHA

Symbol	Parameter	Conditions	Min.	Typ.	Max.	Unit
$t_s$	Setting time	To 0.1 %, $V_{in} = 100$ mVp-p, $R_L = 10$ k $\Omega$ , $C_L = 100$ pF		10		$\mu$ s
$e_n$	Equivalent input noise voltage	$f = 1$ kHz		37		nV/ $\sqrt$ Hz
		$f = 10$ kHz		37		
$C_s$	Channel separation	$f = 100$ Hz		120		dB
$t_{init}$	Initialization time	$T = 25$ °C		50		$\mu$ s
		$-40$ °C < $T$ < $125$ °C		100		

**Notes:**

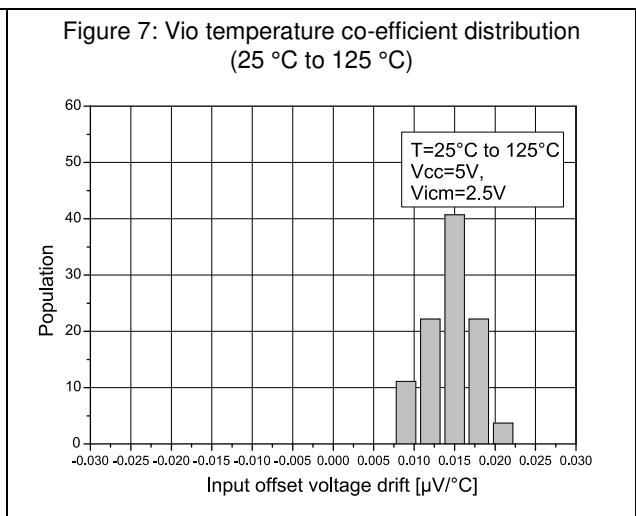
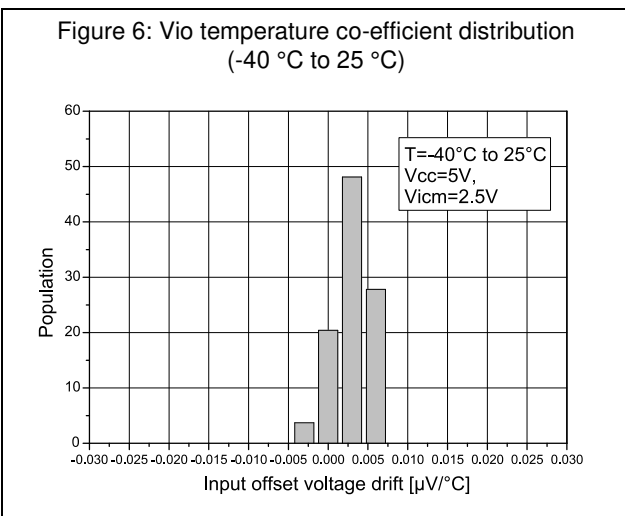
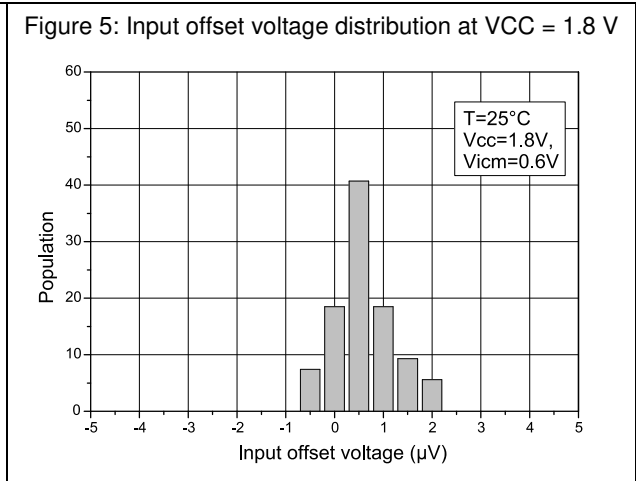
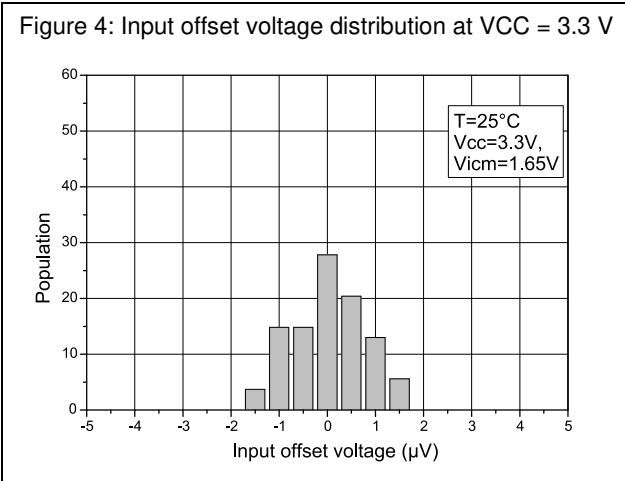
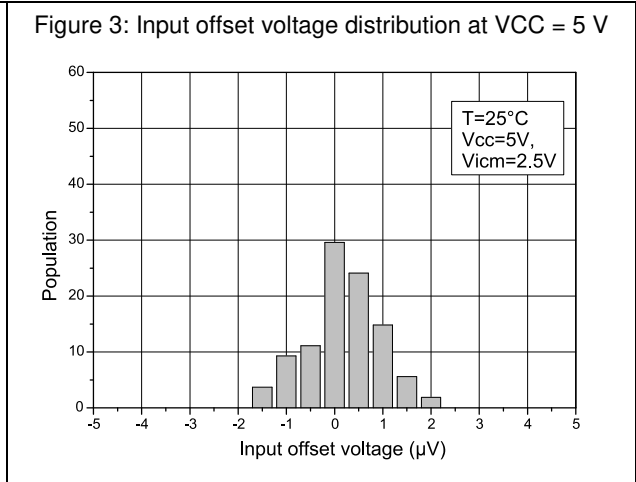
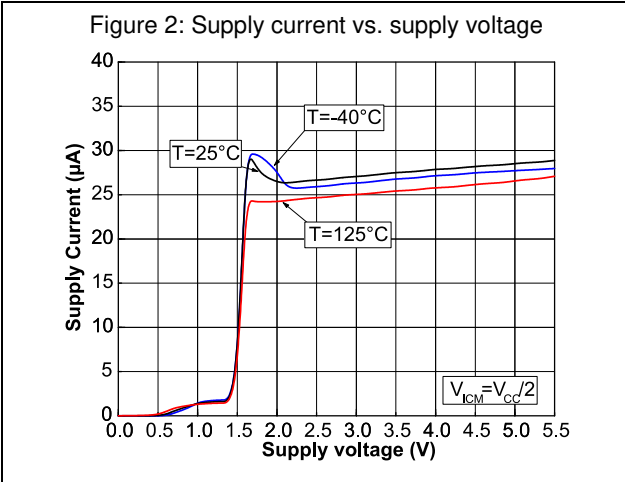
(1) See [Section 5.5: "Input offset voltage drift over temperature"](#). Input offset measurements are performed on x100 gain configuration. The amplifiers and the gain setting resistors are at the same temperature.

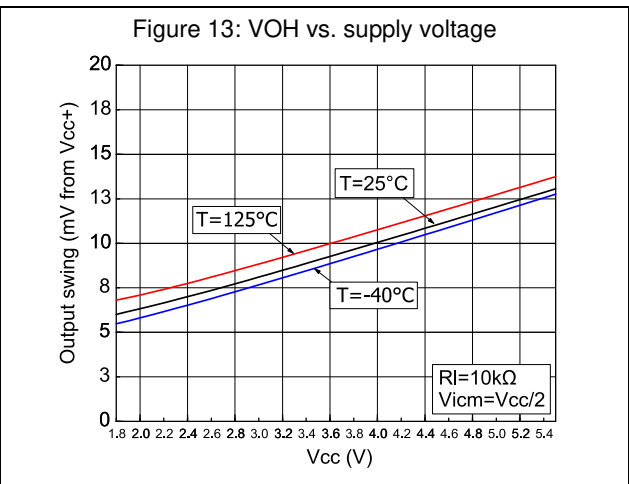
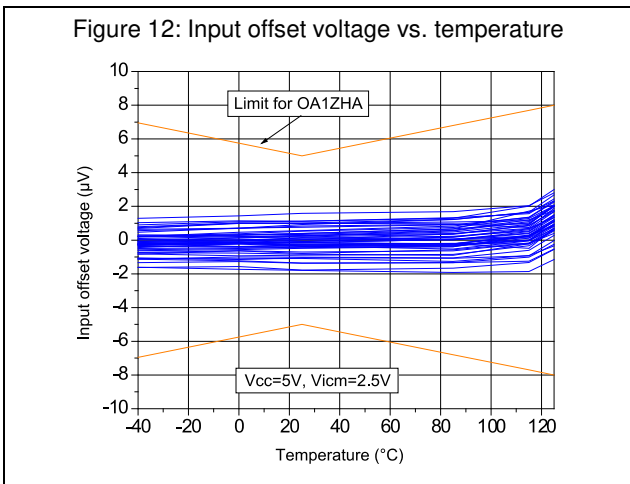
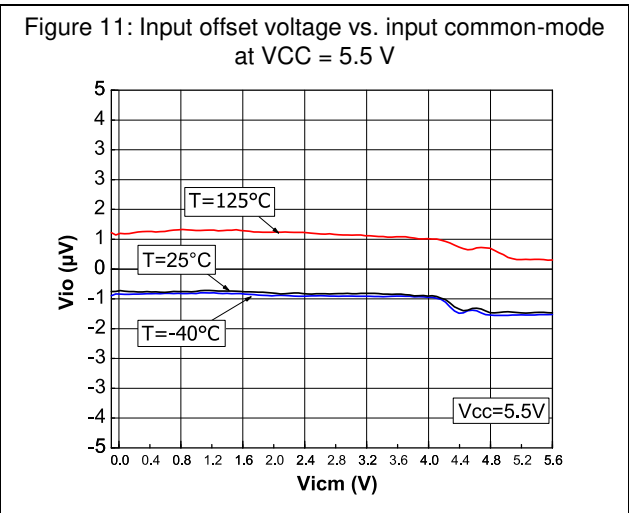
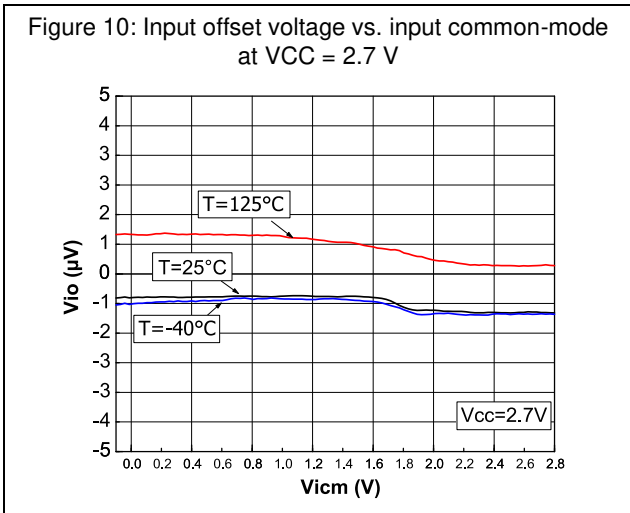
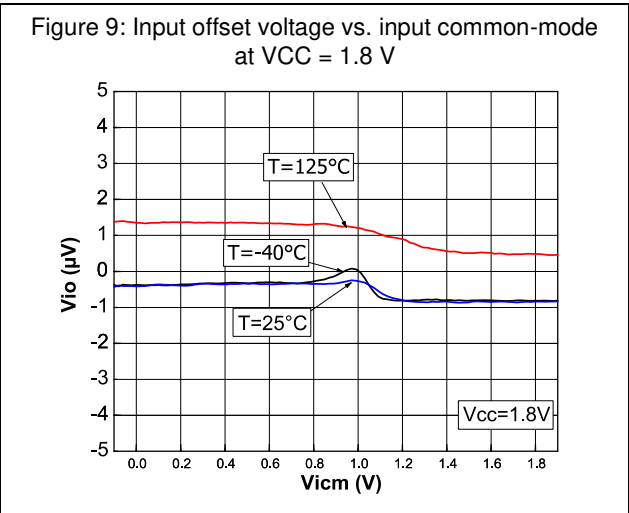
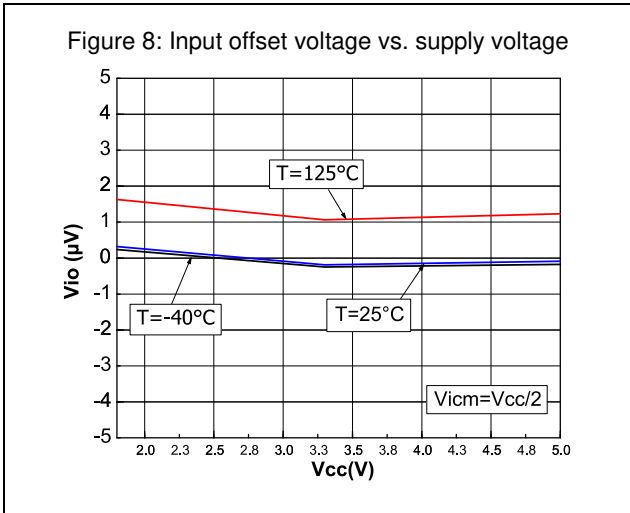
(2) Guaranteed by design

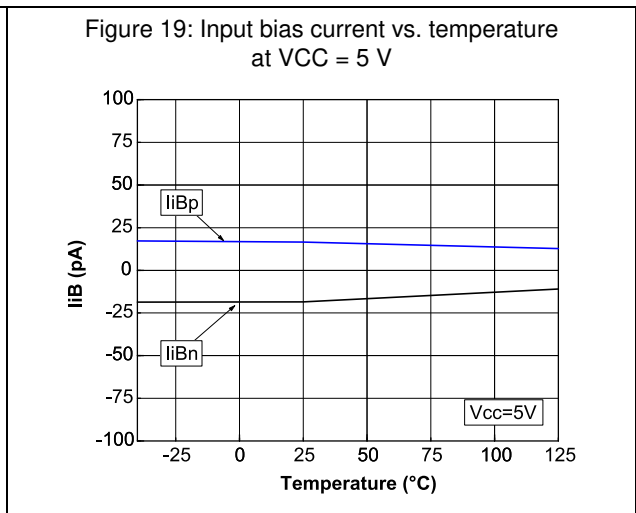
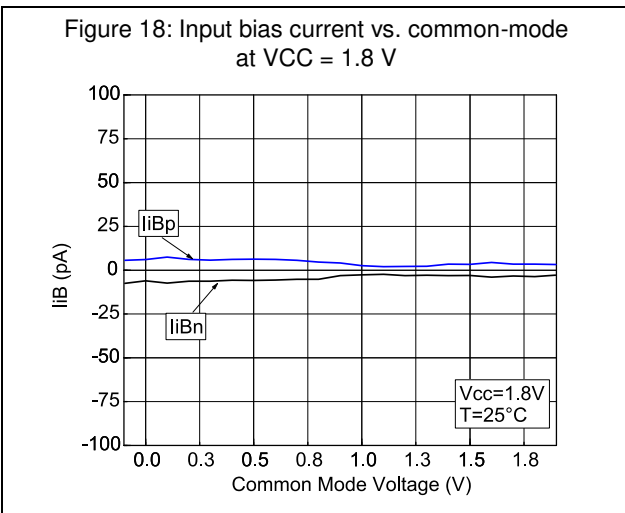
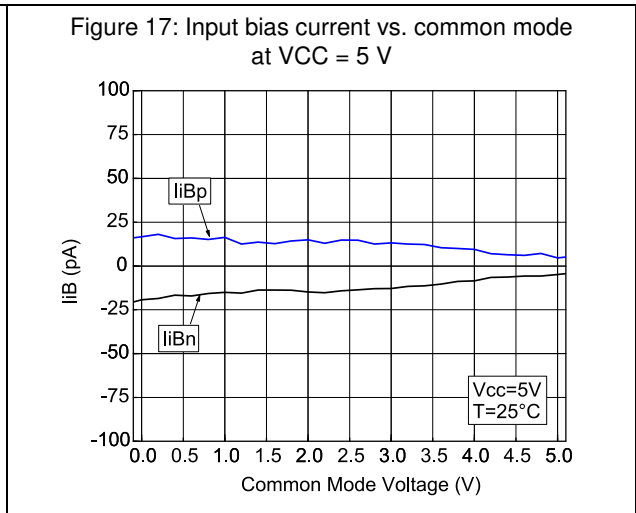
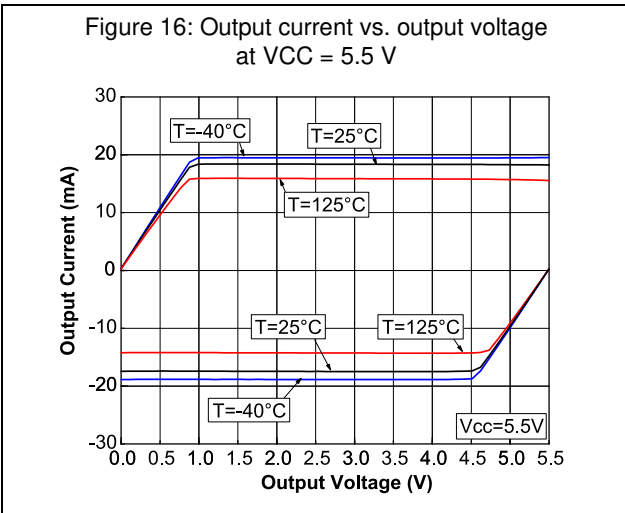
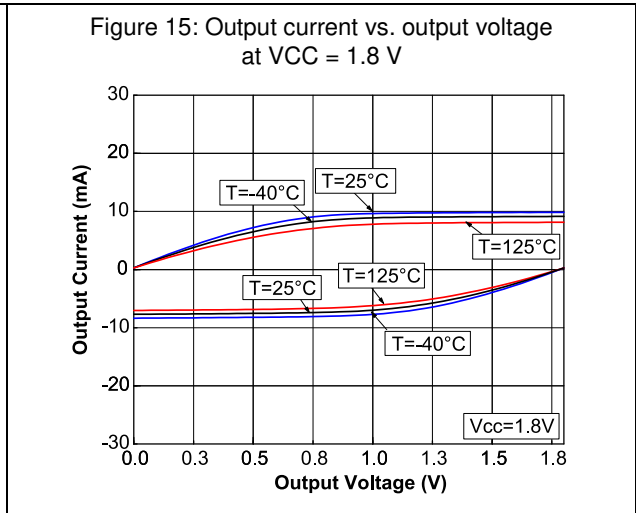
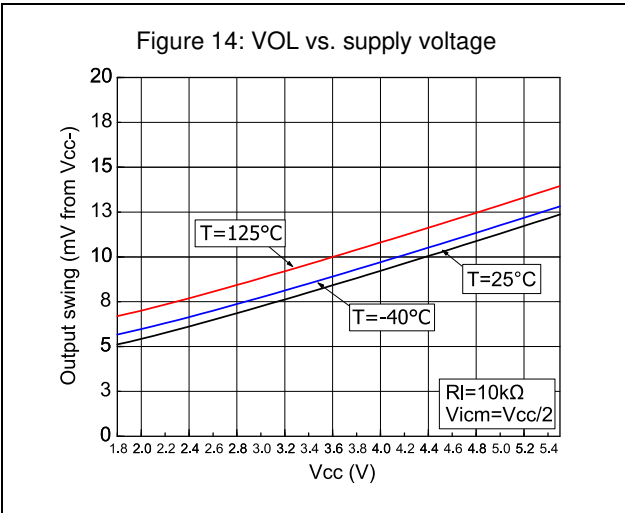
(3) Tested on SC70-5 package

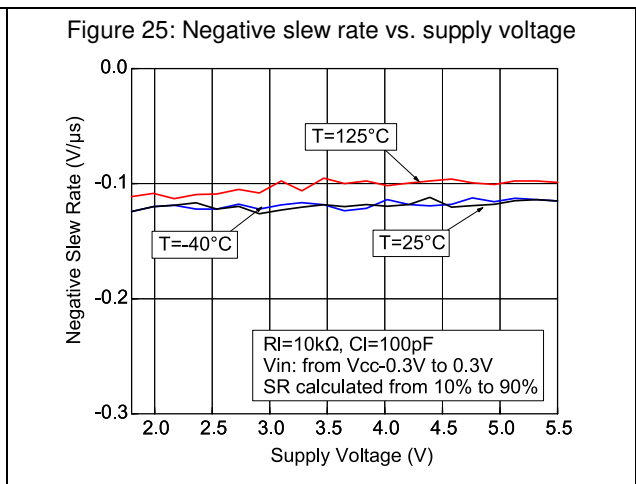
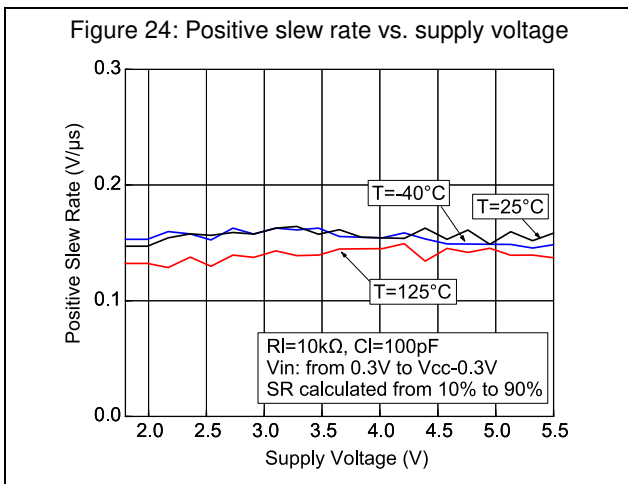
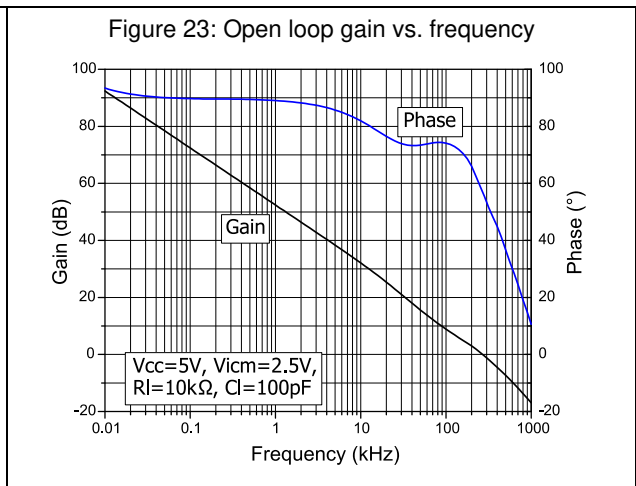
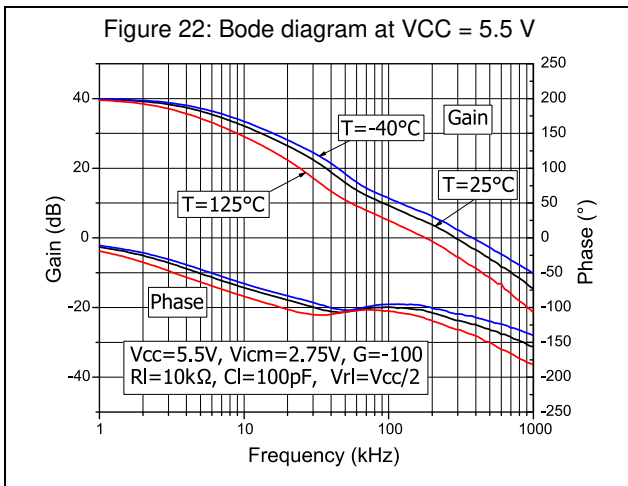
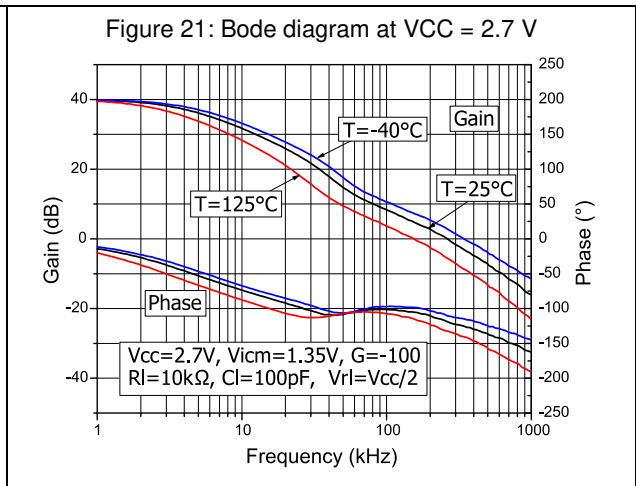
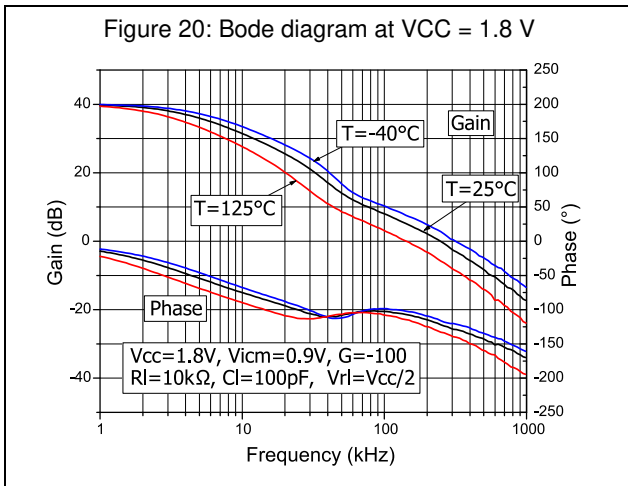
(4) Slew rate value is calculated as the average between positive and negative slew rates.

## 4 Electrical characteristic curves









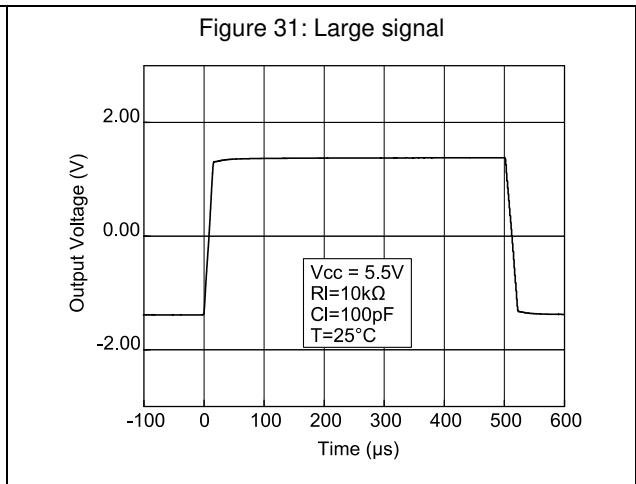
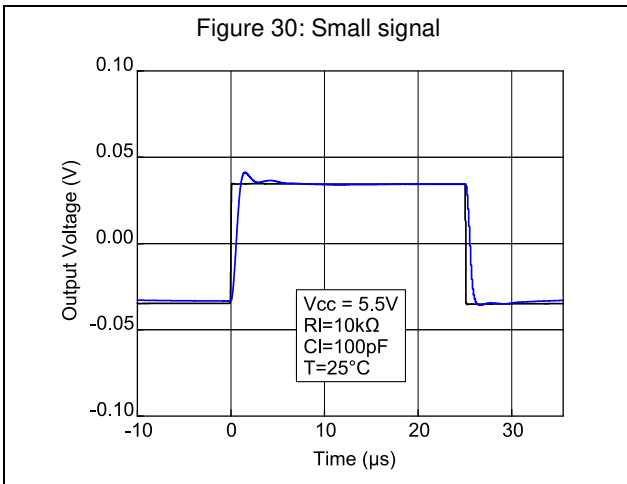
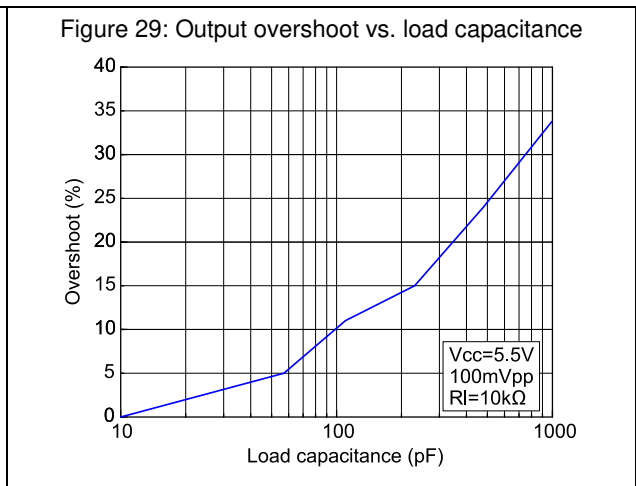
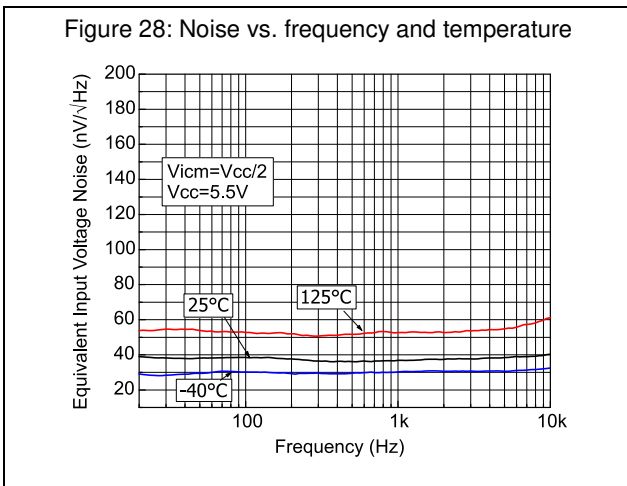
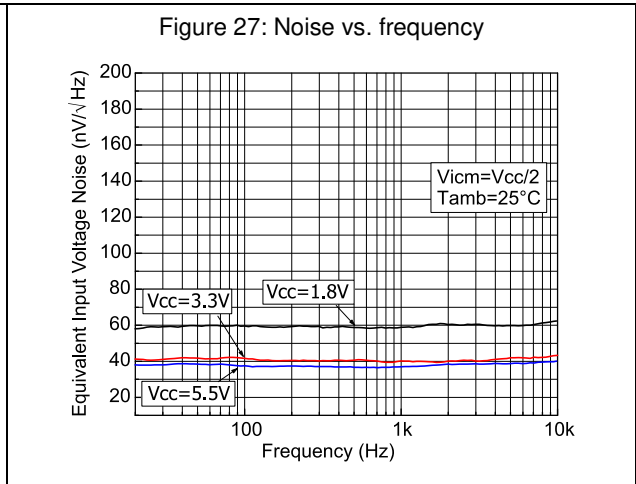
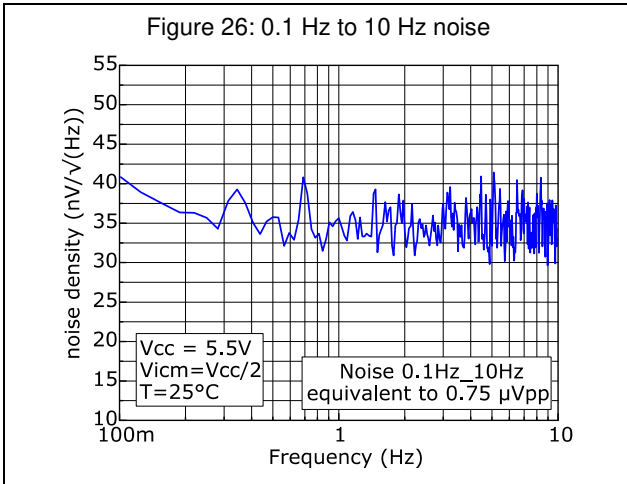


Figure 32: Positive overvoltage recovery at VCC = 1.8 V

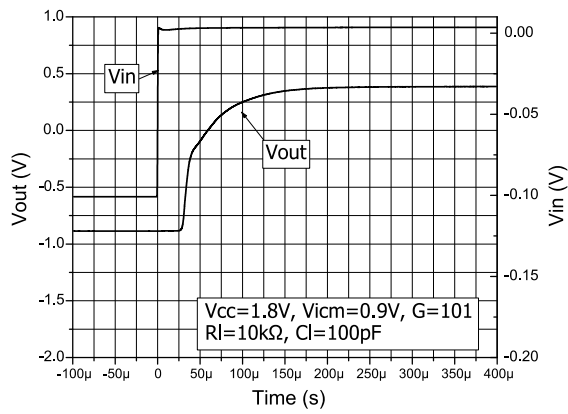


Figure 33: Positive overvoltage recovery at VCC = 5 V

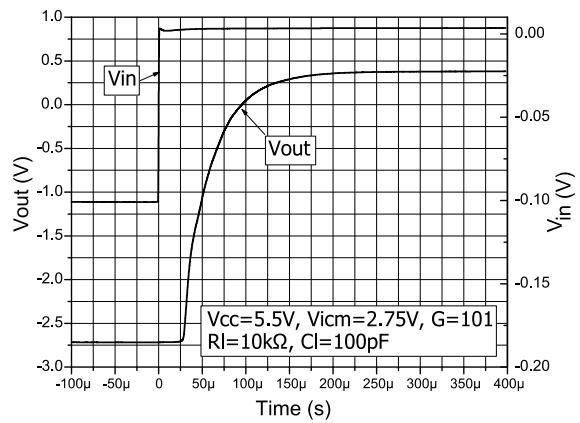


Figure 34: Negative overvoltage recovery at VCC = 1.8 V

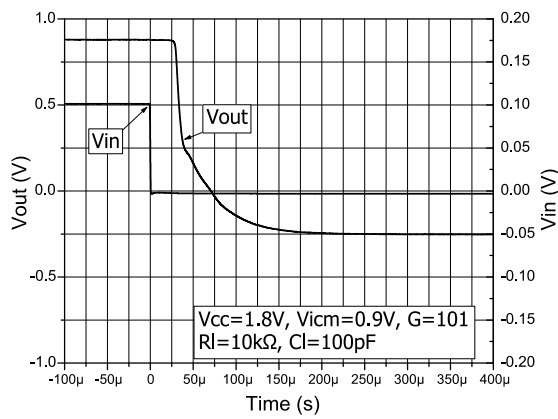


Figure 35: Negative overvoltage recovery at VCC = 5 V

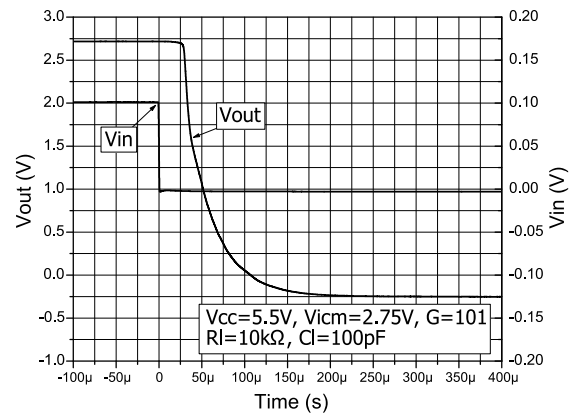


Figure 36: PSRR vs. frequency

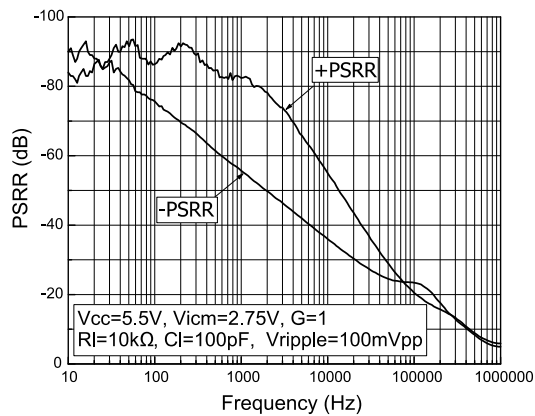
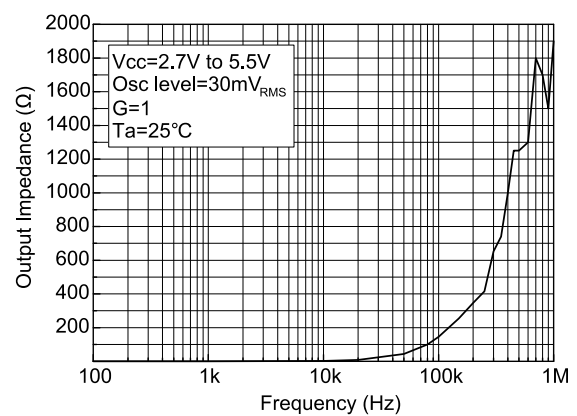


Figure 37: Output impedance vs. frequency





## 5 Application information

### 5.1 Operation theory

The OA1ZHA, OA2ZHA and OA4ZHA are high precision CMOS op amp. They achieve a low offset drift and no 1/f noise thanks to their chopper architecture. Chopper-stabilized amps constantly correct low-frequency errors across the inputs of the amplifier.

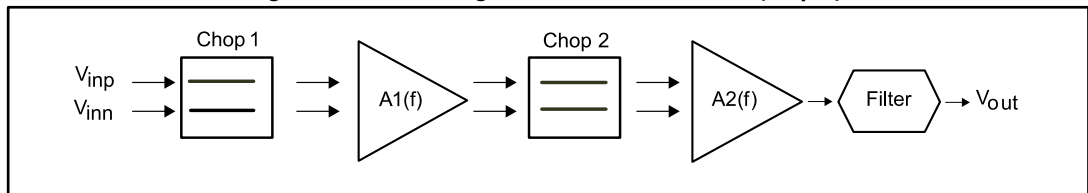
Chopper-stabilized amplifiers can be explained with respect to:

- Time domain
- Frequency domain

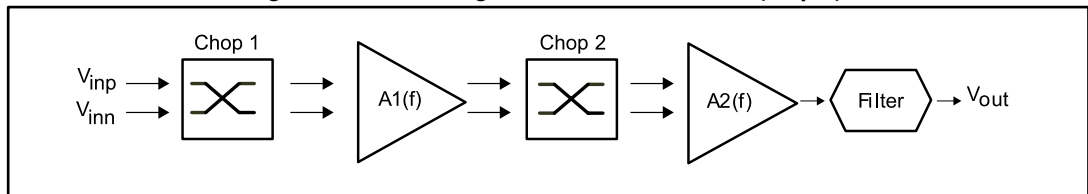
#### 5.1.1 Time domain

The basis of the chopper amplifier is realized in two steps. These steps are synchronized thanks to a clock running at 400 kHz.

**Figure 38: Block diagram in the time domain (step 1)**



**Figure 39: Block diagram in the time domain (step 2)**



*Figure 38: "Block diagram in the time domain (step 1)"* shows step 1, the first clock cycle, where  $V_{io}$  is amplified in the normal way.

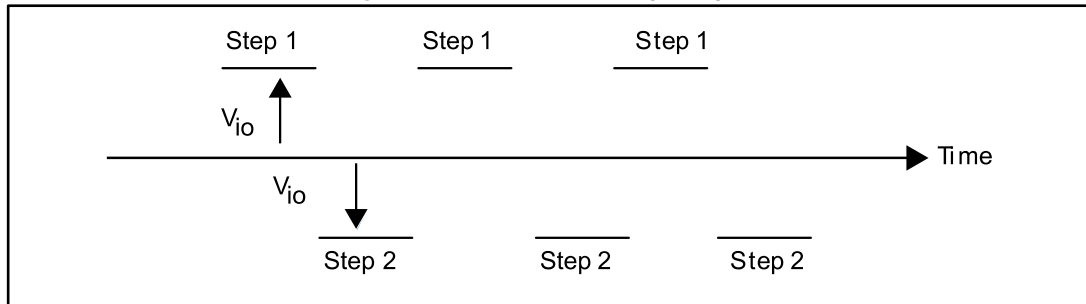
*Figure 39: "Block diagram in the time domain (step 2)"* shows step 2, the second clock cycle, where Chop1 and Chop2 swap paths. At this time, the  $V_{io}$  is amplified in a reverse way as compared to step 1.

At the end of these two steps, the average  $V_{io}$  is close to zero.

The  $A2(f)$  amplifier has a small impact on the  $V_{io}$  because the  $V_{io}$  is expressed as the input offset and is consequently divided by  $A1(f)$ .

In the time domain, the offset part of the output signal before filtering is shown in [Figure 40: "Vio cancellation principle"](#).

**Figure 40: Vio cancellation principle**



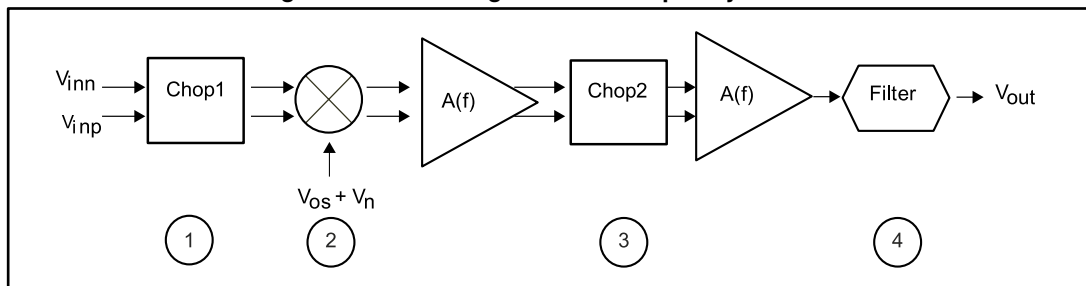
The low pass filter averages the output value resulting in the cancellation of the  $V_{io}$  offset.

The  $1/f$  noise can be considered as an offset in low frequency and it is canceled like the  $V_{io}$ , thanks to the chopper technique.

### 5.1.2 Frequency domain

The frequency domain gives a more accurate vision of chopper-stabilized amplifier architecture.

**Figure 41: Block diagram in the frequency domain**



The modulation technique transposes the signal to a higher frequency where there is no  $1/f$  noise, and demodulate it back after amplification.

1. According to [Figure 41: "Block diagram in the frequency domain"](#), the input signal  $V_{in}$  is modulated once (Chop1) so all the input signal is transposed to the high frequency domain.
2. The amplifier adds its own error ( $V_{io}$  (output offset voltage) + the noise  $V_n$  ( $1/f$  noise)) to this modulated signal.
3. This signal is then demodulated (Chop2), but since the noise and the offset are modulated only once, they are transposed to the high frequency, leaving the output signal of the amplifier without any offset and low frequency noise. Consequently, the input signal is amplified with a very low offset and  $1/f$  noise.
4. To get rid of the high frequency part of the output signal (which is useless) a low pass filter is implemented.

To further suppress the remaining ripple down to a desired level, another low pass filter may be added externally on the output of the OA1ZHA, OA2ZHA and OA4ZHA device.

### 5.2 Operating voltages

OA1ZHA, OA2ZHA and OA4ZHA CMOS op amp can operate from 1.8 to 5.5 V. The parameters are fully specified for 1.8 V, 3.3 V, and 5 V power supplies. However, the parameters are very stable in the full  $\zeta_{xx}$  range and several characterization curves show the OA1ZHA, OA2ZHA and OA4ZHA op amp characteristics at 1.8 V and 5.5 V. Additionally, the main specifications are guaranteed in extended temperature ranges from -40 to 125 °C.

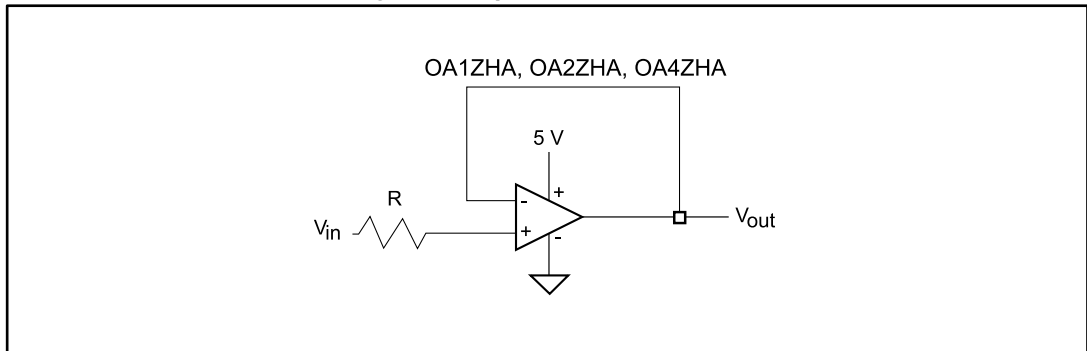
### 5.3 Input pin voltage ranges

OA1ZHA, OA2ZHA and OA4ZHA CMOS op amp can operate from 1.8 to 5.5 V. The parameters are fully specified for 1.8 V, 3.3 V, and have internal ESD diode protection on the inputs. These diodes are connected between the input and each supply rail to protect the input MOSFETs from electrical discharge.

If the input pin voltage exceeds the power supply by 0.5 V, the ESD diodes become conductive and excessive current can flow through them. Without limitation this over current can damage the device.

In this case, it is important to limit the current to 10 mA, by adding resistance on the input pin, as described in [Figure 42: "Input current limitation"](#).

Figure 42: Input current limitation



### 5.4 Rail-to-rail input

OA1ZHA, OA2ZHA and OA4ZHA CMOS op amp have a rail-to-rail input, and the input common mode range is extended from  $(V_{CC-}) - 0.1$  V to  $(V_{CC+}) + 0.1$  V.

## 5.5 Input offset voltage drift over temperature

The maximum input voltage drift variation over temperature is defined as the offset variation related to the offset value measured at 25 °C. The operational amplifier is one of the main circuits of the signal conditioning chain, and the amplifier input offset is a major contributor to the chain accuracy. The signal chain accuracy at 25 °C can be compensated during production at application level. The maximum input voltage drift over temperature enables the system designer to anticipate the effect of temperature variations.

The maximum input voltage drift over temperature is computed using [Equation 1](#).

### Equation 1

$$\frac{\Delta V_{io}}{\Delta T} = \max \left| \frac{V_{io}(T) - V_{io}(25\text{ °C})}{T - 25\text{ °C}} \right|$$

where T = -40 °C and 125 °C.

The OA1ZHA, OA2ZHA and OA4ZHA CMOS datasheet maximum value is guaranteed by measurements on a representative sample size ensuring a C<sub>pk</sub> (process capability index) greater than 1.3.

## 5.6 Rail-to-rail output

The operational amplifier output levels can go close to the rails: to a maximum of 30 mV above and below the rail when connected to a 10 kΩ resistive load to V<sub>CC</sub>/2.

## 5.7 Capacitive load

Driving large capacitive loads can cause stability problems. Increasing the load capacitance produces gain peaking in the frequency response, with overshoot and ringing in the step response. It is usually considered that with a gain peaking higher than 2.3 dB an op amp might become unstable.

Generally, the unity gain configuration is the worst case for stability and the ability to drive large capacitive loads.

Figure 43: "Stability criteria with a serial resistor at VDD = 5 V" and Figure 44: "Stability criteria with a serial resistor at VDD = 1.8 V" show the serial resistor that must be added to the output, to make a system stable. Figure 45: "Test configuration for R<sub>iso</sub>" shows the test configuration using an isolation resistor, R<sub>iso</sub>.

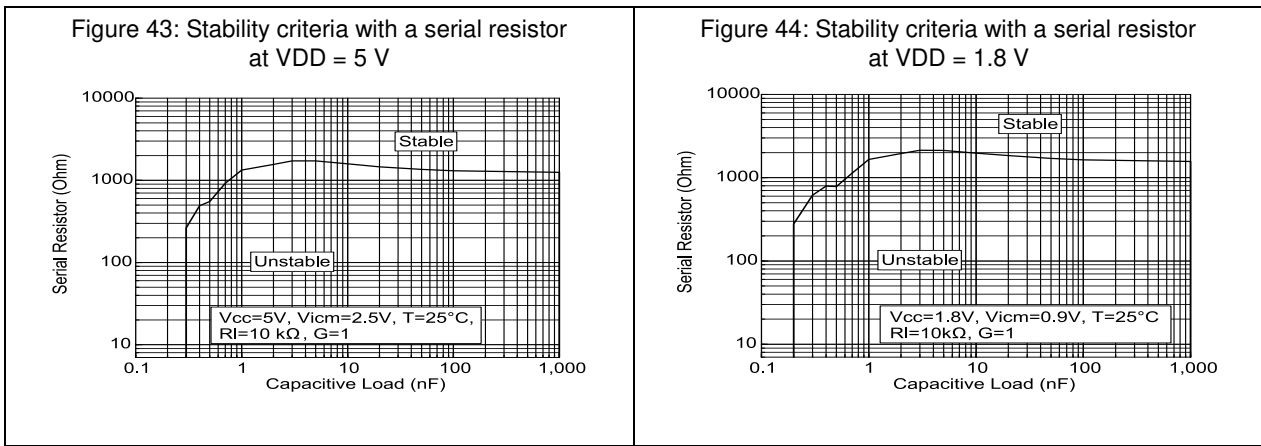
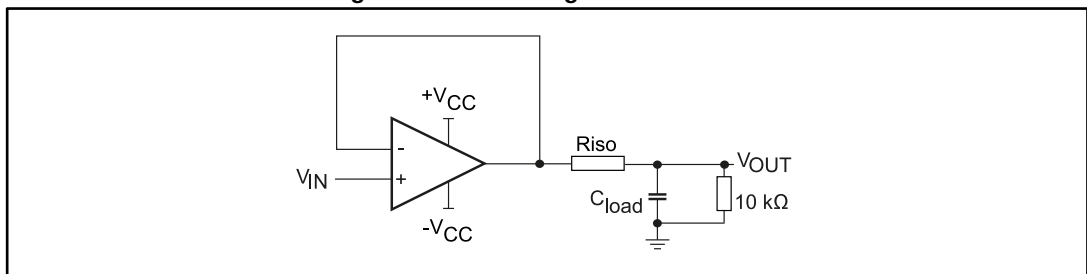


Figure 45: Test configuration for R<sub>iso</sub>



## 5.8 PCB layout recommendations

Particular attention must be paid to the layout of the PCB, tracks connected to the amplifier, load, and power supply. The power and ground traces are critical as they must provide adequate energy and grounding for all circuits. Good practice is to use short and wide PCB traces to minimize voltage drops and parasitic inductance.

In addition, to minimize parasitic impedance over the entire surface, a multi-via technique that connects the bottom and top layer ground planes together in many locations is often used.

The copper traces that connect the output pins to the load and supply pins should be as wide as possible to minimize trace resistance.

## 5.9 Optimized application recommendation

OA1ZHA, OA2ZHA and OA4ZHA CMOS op amp are based on chopper architecture. As they are switched devices, it is strongly recommended to place a 0.1  $\mu\text{F}$  capacitor as close as possible to the supply pins.

A good decoupling has several advantages for an application. First, it helps to reduce electromagnetic interference. Due to the modulation of the chopper, the decoupling capacitance also helps to reject the small ripple that may appear on the output.

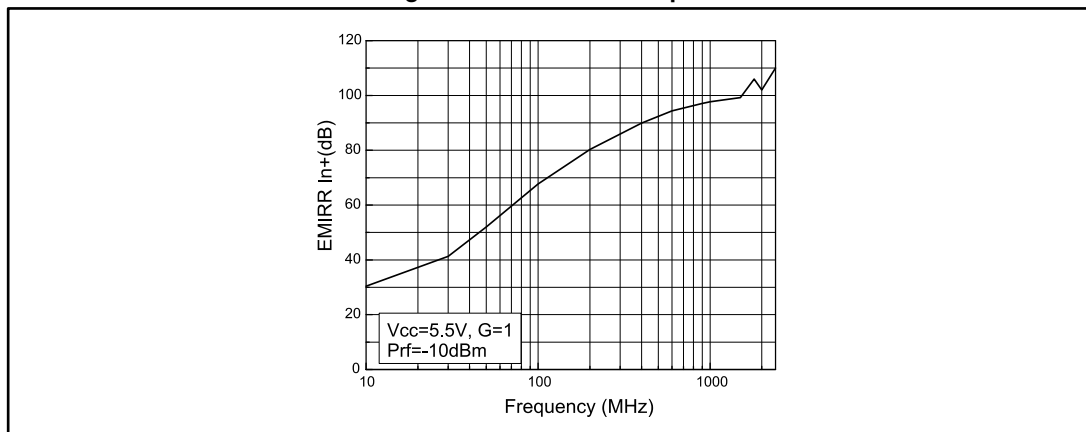
OA1ZHA, OA2ZHA and OA4ZHA CMOS op amp have been optimized for use with 10 k $\Omega$  in the feedback loop. With this, or a higher value of resistance, these devices offer the best performance.

## 5.10 EMI rejection ration (EMIRR)

The electromagnetic interference (EMI) rejection ratio, or EMIRR, describes the EMI immunity of operational amplifiers. An adverse effect that is common to many op amp is a change in the offset voltage as a result of RF signal rectification.

OA1ZHA, OA2ZHA and OA4ZHA CMOS op amp have been specially designed to minimize susceptibility to EMIRR and show an extremely good sensitivity. *Figure 46: "EMIRR on IN+ pin"* shows the EMIRR IN+ of the OA1ZHA, OA2ZHA and OA4ZHA measured from 10 MHz up to 2.4 GHz.

Figure 46: EMIRR on IN+ pin

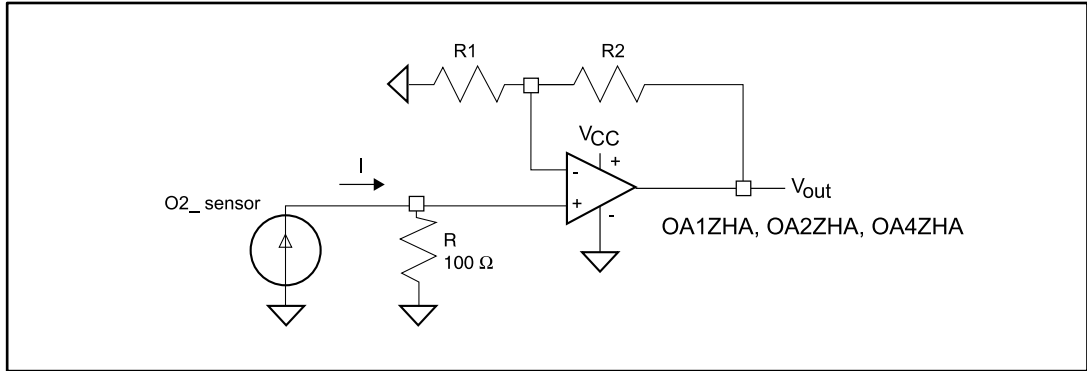


## 5.11 Application examples

### 5.11.1 Oxygen sensor

The electrochemical sensor creates a current proportional to the concentration of the gas being measured. This current is converted into voltage thanks to R resistance. This voltage is then amplified by OA1ZHA, OA2ZHA and OA4ZHA CMOS op amp (see [Figure 47: "Oxygen sensor principle schematic"](#)).

Figure 47: Oxygen sensor principle schematic



The output voltage is calculated using [Equation 2](#):

#### Equation 2

$$V_{out} = (I \times R - V_{io}) \times \left( \frac{R_2}{R_1} + 1 \right)$$

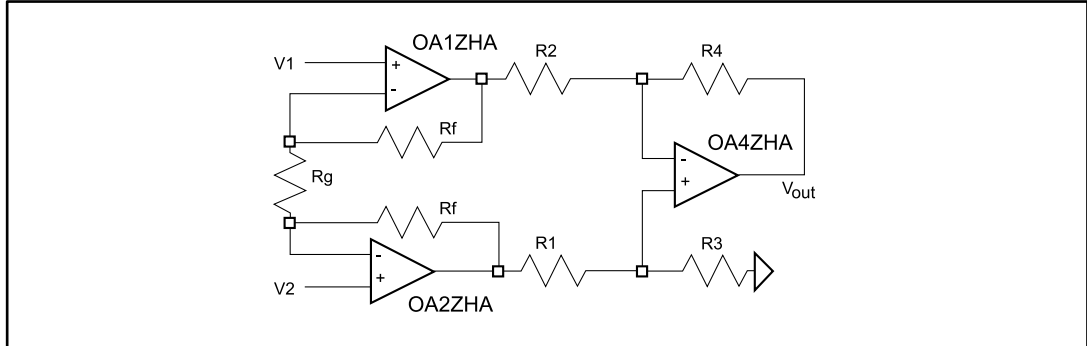
As the current delivered by the O2 sensor is extremely low, the impact of the  $V_{io}$  can become significant with a traditional operational amplifier. The use of the chopper amplifier of the OA1ZHA, OA2ZHA and OA4ZHA is perfect for this application.

In addition, using OA1ZHA, OA2ZHA and OA4ZHA op amp for the O2 sensor application ensures that the measurement of O2 concentration is stable even at different temperature thanks to a very good  $\Delta V_{io}/\Delta T$ .

5.11.2 Precision instrumentation amplifier

The instrumentation amplifier uses three op amp. The circuit, shown in [Figure 48: "Precision instrumentation amplifier schematic"](#), exhibits high input impedance, so that the source impedance of the connected sensor has no impact on the amplification.

Figure 48: Precision instrumentation amplifier schematic



The gain is set by tuning the  $R_g$  resistor. With  $R_1 = R_2$  and  $R_3 = R_4$ , the output is given by [Equation 3](#).

Equation 3

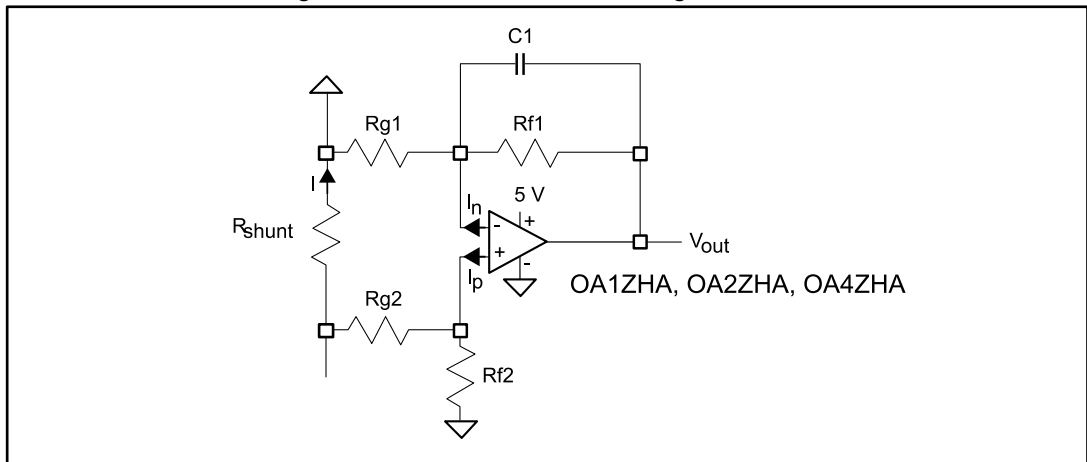
$$V_{out} = (V_2 - V_1) \left[ \frac{R_4}{R_2} \cdot \frac{2R_f}{R_g} + 1 \right]$$

The matching of  $R_1$ ,  $R_2$  and  $R_3$ ,  $R_4$  is important to ensure a good common mode rejection ratio (CMR).

5.11.3 Low-side current sensing

Power management mechanisms are found in most electronic systems. Current sensing is useful for protecting applications. The low-side current sensing method consists of placing a sense resistor between the load and the circuit ground. The resulting voltage drop is amplified using OA1ZHA, OA2ZHA and OA4ZHA CMOS op amp (see [Figure 49: "Low-side current sensing schematic"](#)).

Figure 49: Low-side current sensing schematic





$V_{out}$  can be expressed as follows:

**Equation 4**

$$V_{out} = R_{shunt} \times I \left( 1 - \frac{R_{g2}}{R_{g2} + R_{f2}} \right) \left( 1 + \frac{R_{f1}}{R_{g1}} \right) + I_p \left( \frac{R_{g2} \times R_{f2}}{R_{g2} + R_{f2}} \right) \times \left( 1 + \frac{R_{f1}}{R_{g1}} \right) - I_n \times R_{f1} - V_{io} \left( 1 + \frac{R_{f1}}{R_{g1}} \right)$$

Assuming that  $R_{f2} = R_{f1} = R_f$  and  $R_{g2} = R_{g1} = R_g$ , [Equation 4](#) can be simplified as follows:

**Equation 5**

$$V_{out} = R_{shunt} \times I \left( \frac{R_f}{R_g} \right) - V_{io} \left( 1 + \frac{R_f}{R_g} \right) + R_f \times I_{io}$$

The main advantage of using the chopper of the OA1ZHA, OA2ZHA and OA4ZHA, for a low-side current sensing, is that the errors due to  $V_{io}$  and  $I_{io}$  are extremely low and may be neglected.

Therefore, for the same accuracy, the shunt resistor can be chosen with a lower value, resulting in lower power dissipation, lower drop in the ground path, and lower cost.

Particular attention must be paid on the matching and precision of  $R_{g1}$ ,  $R_{g2}$ ,  $R_{f1}$ , and  $R_{f2}$ , to maximize the accuracy of the measurement.

## 6 Package information

In order to meet environmental requirements, ST offers these devices in different grades of ECOPACK® packages, depending on their level of environmental compliance. ECOPACK® specifications, grade definitions and product status are available at: [www.st.com](http://www.st.com). ECOPACK® is an ST trademark.

### 6.1 SC70-5 (or SOT323-5) package information

Figure 50: SC70-5 (or SOT323-5) package outline

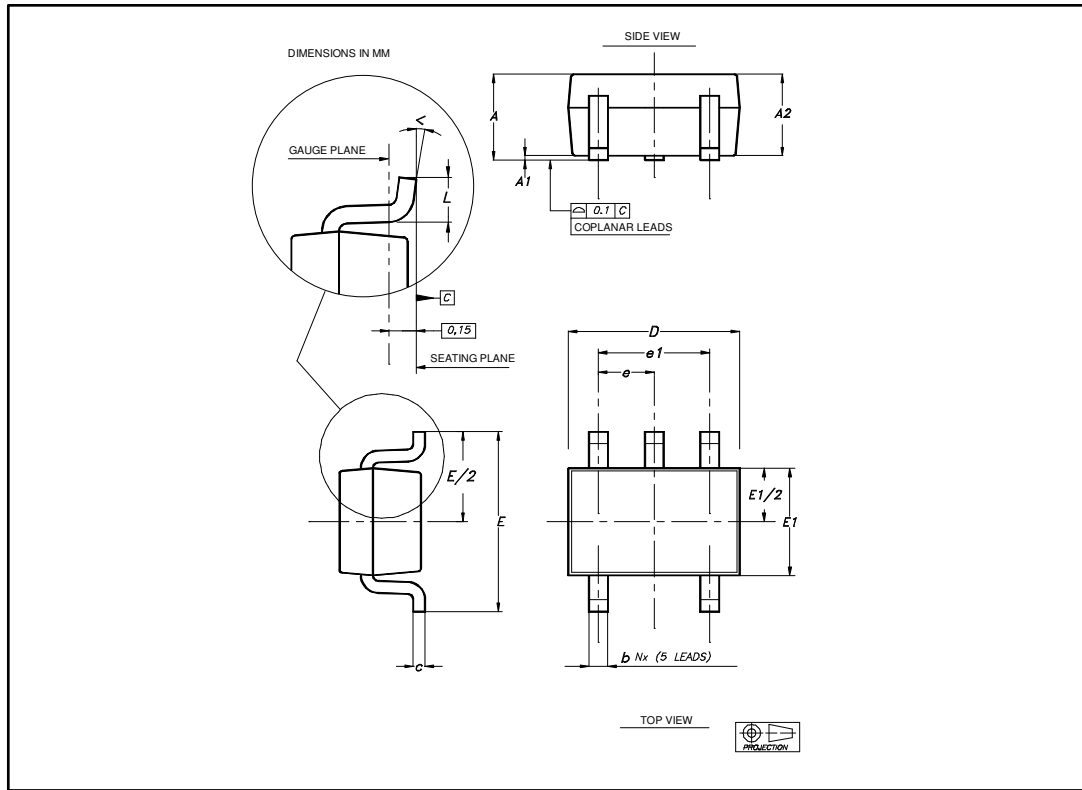


Table 6: SC70-5 (or SOT323-5) mechanical data

Ref.	Dimensions					
	Millimeters			Inches		
	Min.	Typ.	Max.	Min.	Typ.	Max.
A	0.80		1.10	0.032		0.043
A1			0.10			0.004
A2	0.80	0.90	1.00	0.032	0.035	0.039
b	0.15		0.30	0.006		0.012
c	0.10		0.22	0.004		0.009
D	1.80	2.00	2.20	0.071	0.079	0.087
E	1.80	2.10	2.40	0.071	0.083	0.094
E1	1.15	1.25	1.35	0.045	0.049	0.053
e		0.65			0.025	
e1		1.30			0.051	
L	0.26	0.36	0.46	0.010	0.014	0.018
<	0°		8°	0°		8°

## 6.2 MiniSO8 package information

Figure 51: MiniSO8 package outline

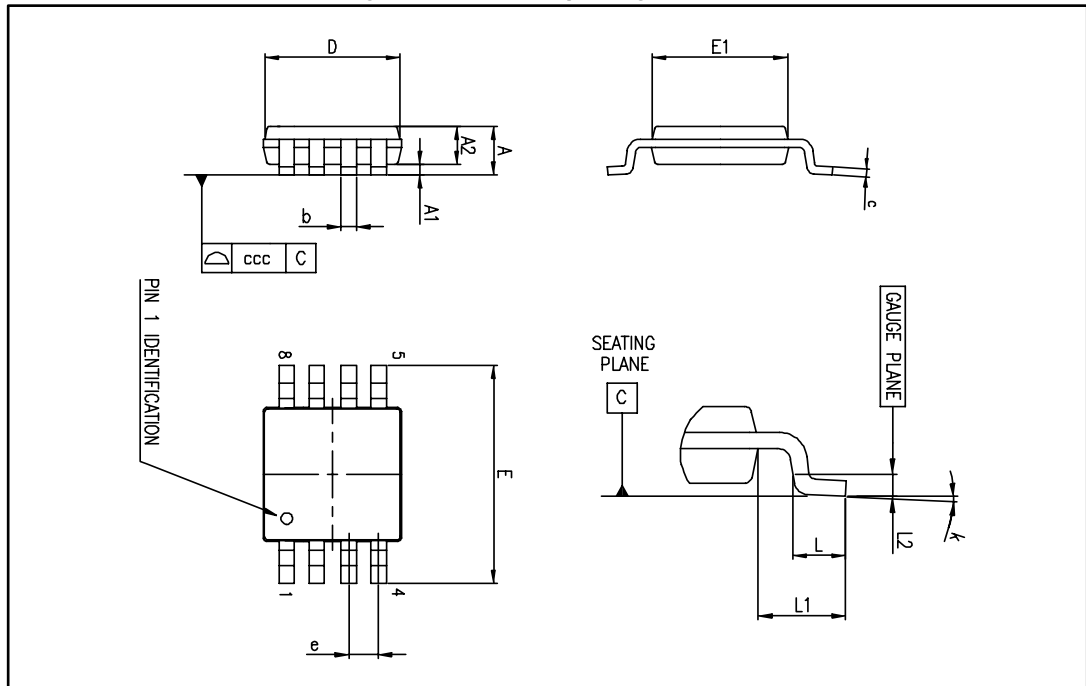


Table 7: MiniSO8 mechanical data

Ref.	Dimensions					
	Millimeters			Inches		
	Min.	Typ.	Max.	Min.	Typ.	Max.
A			1.1			0.043
A1	0		0.15	0		0.006
A2	0.75	0.85	0.95	0.030	0.033	0.037
b	0.22		0.40	0.009		0.016
c	0.08		0.23	0.003		0.009
D	2.80	3.00	3.20	0.11	0.118	0.126
E	4.65	4.90	5.15	0.183	0.193	0.203
E1	2.80	3.00	3.10	0.11	0.118	0.122
e		0.65			0.026	
L	0.40	0.60	0.80	0.016	0.024	0.031
L1		0.95			0.037	
L2		0.25			0.010	
k	0°		8°	0°		8°
ccc			0.10			0.004

### 6.3 DFN8 2x2 package information

Figure 52: DFN8 2x2 package outline

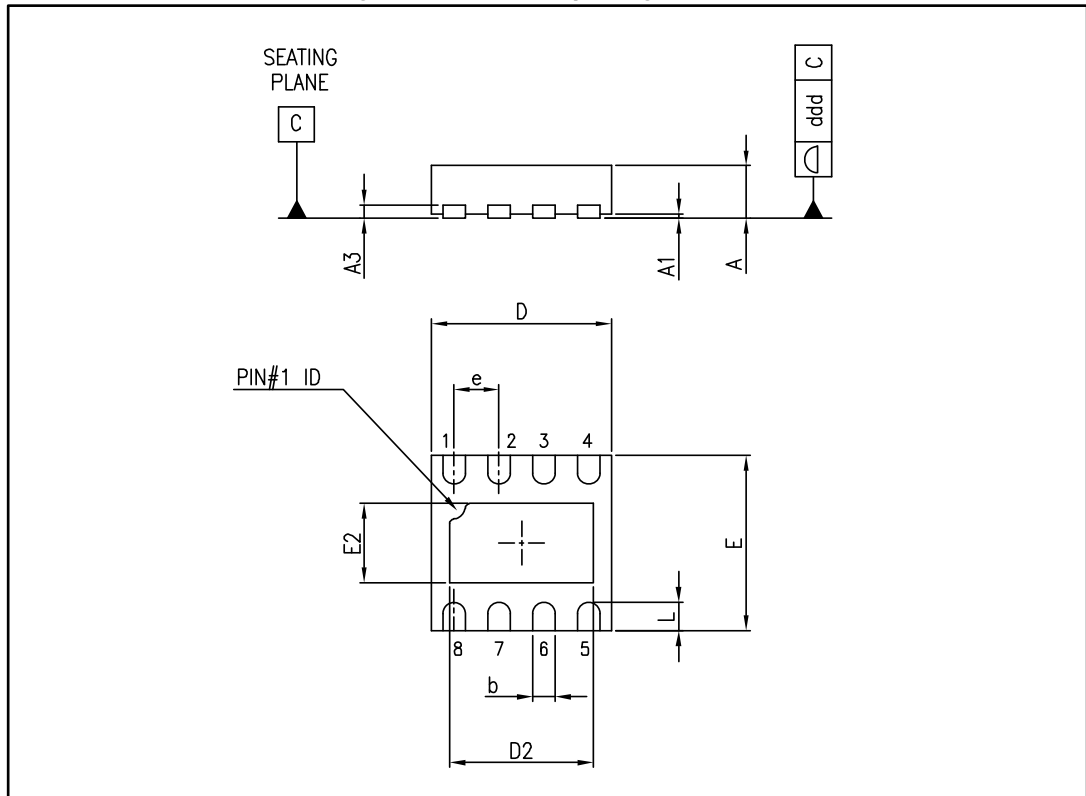
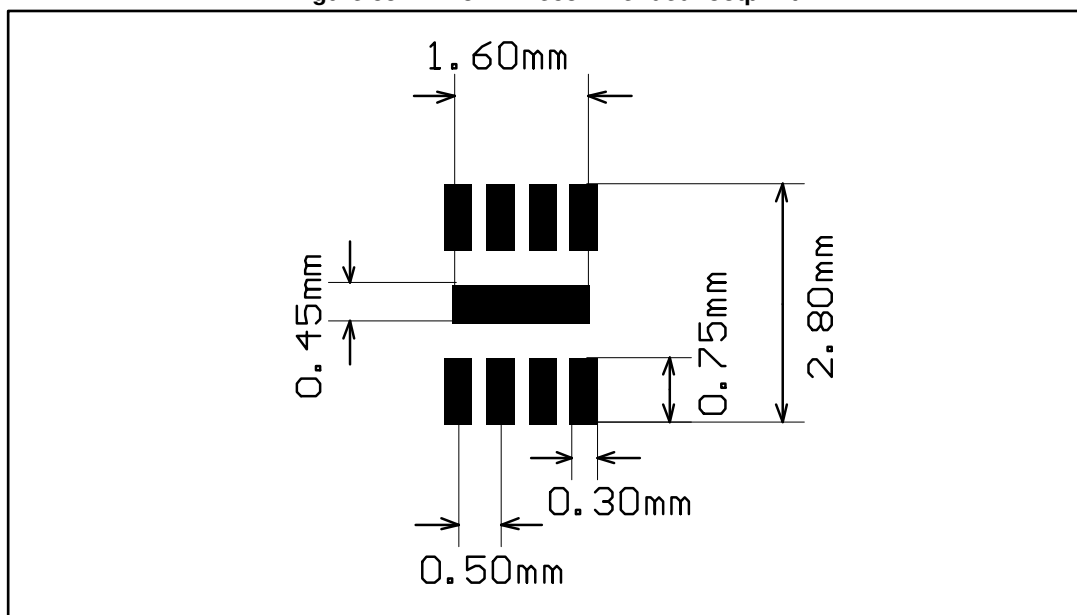


Table 8: DFN8 2x2 mechanical data

Ref.	Dimensions					
	Millimeters			Inches		
	Min.	Typ.	Max.	Min.	Typ.	Max.
A	0.51	0.55	0.60	0.020	0.022	0.024
A1			0.05			0.002
A3		0.15			0.006	
b	0.18	0.25	0.30	0.007	0.010	0.012
D	1.85	2.00	2.15	0.073	0.079	0.085
D2	1.45	1.60	1.70	0.057	0.063	0.067
E	1.85	2.00	2.15	0.073	0.079	0.085
E2	0.75	0.90	1.00	0.030	0.035	0.039
e		0.50			0.020	
L	0.225	0.325	0.425	0.009	0.013	0.017
ddd			0.08			0.003

Figure 53: DFN8 2x2 recommended footprint



### 6.4 QFN16 3x3 package information

Figure 54: QFN16 3x3 package outline

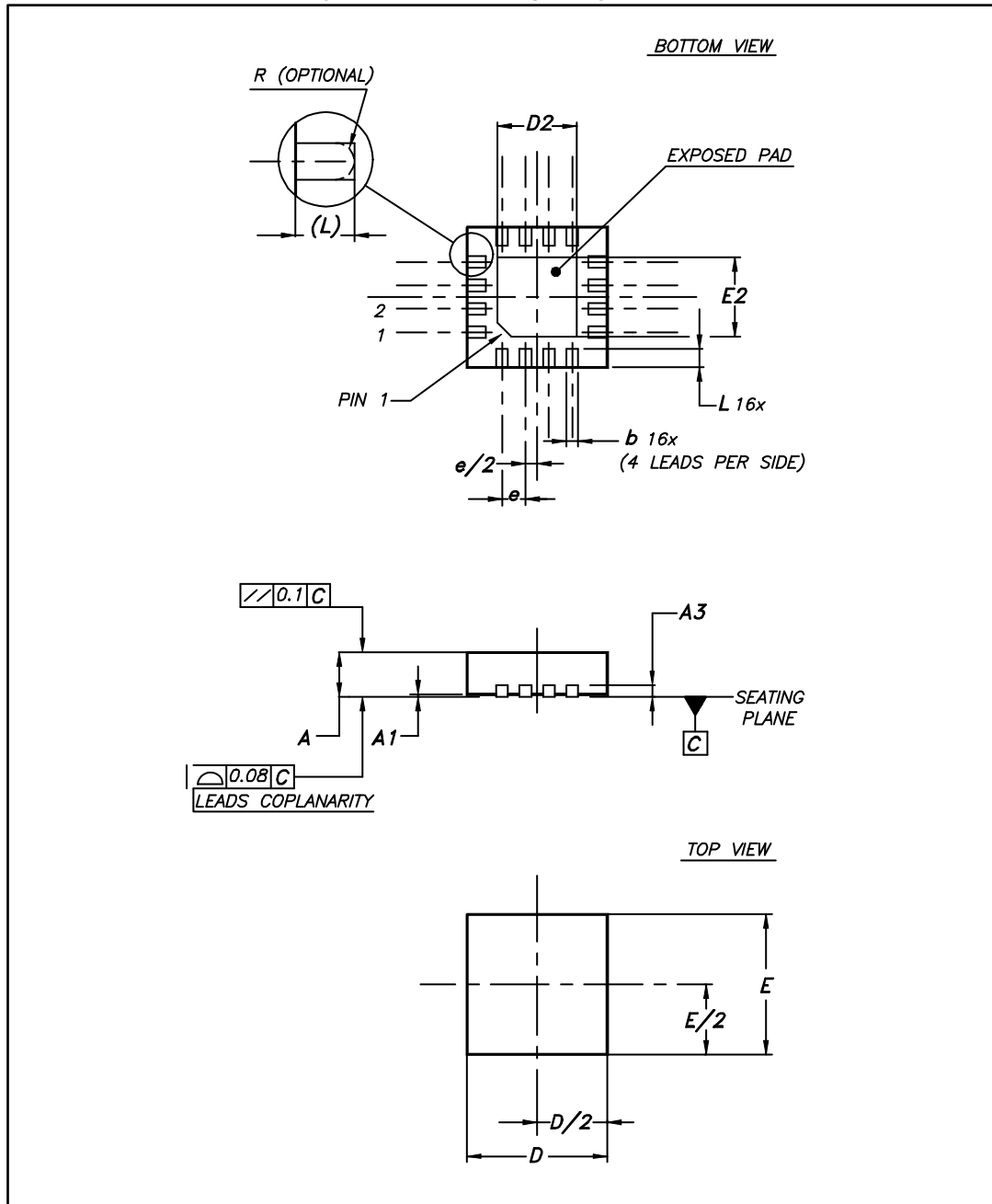
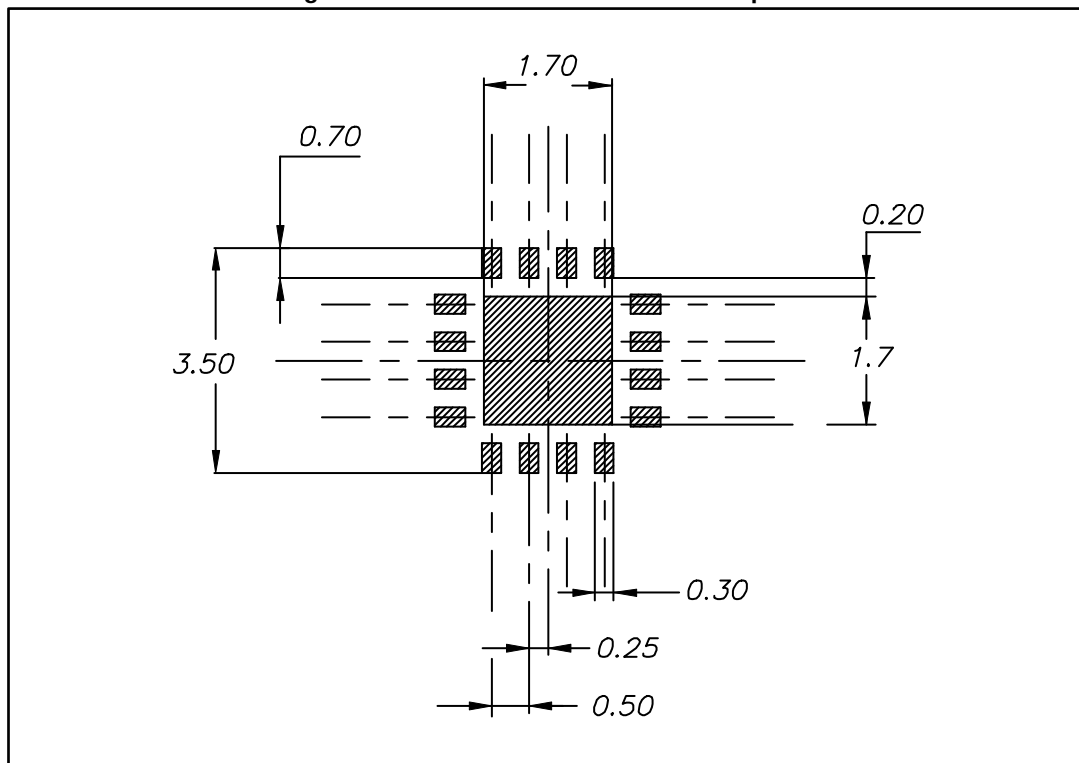


Table 9: QFN16 3x3 mechanical data

Ref.	Dimensions					
	Millimeters			Inches		
	Min.	Typ.	Max.	Min.	Typ.	Max.
A	0.80	0.90	1.00	0.031	0.035	0.039
A1	0		0.05	0		0.002
A3		0.20			0.008	
b	0.18		0.30	0.007		0.012
D	2.90	3.00	3.10	0.114	0.118	0.122
D2	1.50		1.80	0.059		0.071
E	2.90	3.00	3.10	0.114	0.118	0.122
E2	1.50		1.80	0.059		0.071
e		0.50			0.020	
L	0.30		0.50	0.012		0.020

Figure 55: QFN16 3x3 recommended footprint





## 7 Ordering information

Table 10: Order codes

Order code	Temperature range	Package	Packaging	Marking
OA1ZHA22C	-40 to 125 °C	SC70-5	Tape and reel	K44
OA2ZHA34S		MiniSO8		K208
OA2ZHA22Q		DFN8 2x2		K33
OA4ZHA33Q		QFN16 3x3		K193

## 8 Revision history

**Table 11: Document revision history**

Date	Revision	Changes
04-Mar-2014	1	Initial release.
30-Jun-2016	2	Updated document layout Removed "Device summary" table from cover page and added information to <a href="#">Table 10: "Order codes"</a> . <a href="#">Section 6.4: "QFN16 3x3 package information"</a> : added recommended footprint. Added <a href="#">Section 7: "Ordering information"</a> <a href="#">Table 10: "Order codes"</a> : updated marking of MiniSO8 package.
03-Aug-2017	3	Added minimum and typical dimension values for row L in <a href="#">Table 8: "DFN8 2x2 mechanical data"</a> .

**IMPORTANT NOTICE – PLEASE READ CAREFULLY**

STMicroelectronics NV and its subsidiaries ("ST") reserve the right to make changes, corrections, enhancements, modifications, and improvements to ST products and/or to this document at any time without notice. Purchasers should obtain the latest relevant information on ST products before placing orders. ST products are sold pursuant to ST's terms and conditions of sale in place at the time of order acknowledgement.

Purchasers are solely responsible for the choice, selection, and use of ST products and ST assumes no liability for application assistance or the design of Purchasers' products.

No license, express or implied, to any intellectual property right is granted by ST herein.

Resale of ST products with provisions different from the information set forth herein shall void any warranty granted by ST for such product.

ST and the ST logo are trademarks of ST. All other product or service names are the property of their respective owners.

Information in this document supersedes and replaces information previously supplied in any prior versions of this document.

© 2017 STMicroelectronics – All rights reserved