



MADE IN THE USA

Product Description:

- Face Mask Dispenser - Tie
- Holds one box of tie face masks
- Two-way keyholes for dual position wall mounting
- White Powder-Coated Steel

Primary Area for Product Usage:

- Surgical areas, interventional radiology, areas with a scrub sink

Dispenses:

- Box(es) no larger than 7.38"W x 6.75"H x 4.75"D (18.7 cm x 17.1 cm x 12.1 cm)
- Box(es) no smaller than 6.63"W x 3.25"H x 4.00"D (16.8 cm x 8.3 cm x 10.2 cm)

Package Specifications:

- Package Qty 12 per case
- 16"W x 12"H x 12"D (40.6 cm x 30.5 cm x 30.5 cm)
- 13.0 lbs (5.9 kg) - approximated

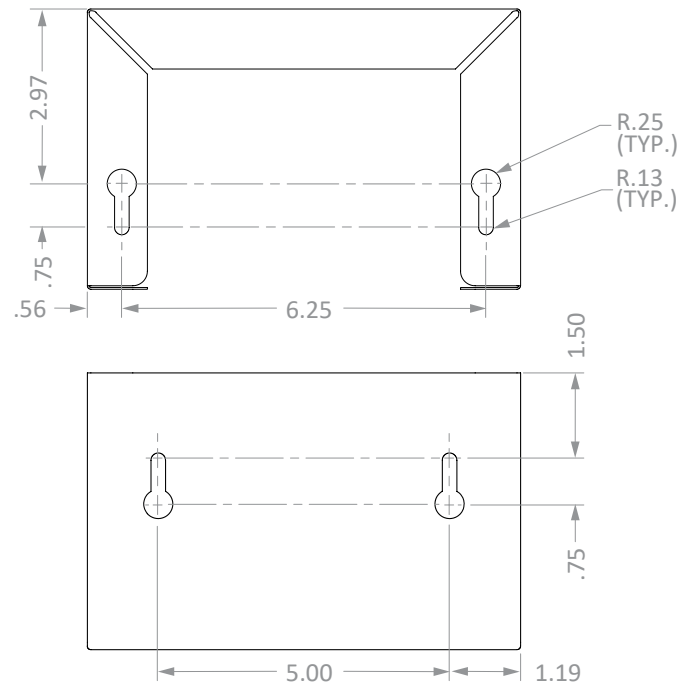
Product Specifications (overall external dimensions):

- 7.44"W x 4.75"H x 4.81"D (18.9 cm x 12.1 cm x 12.2 cm)
- 0.9 lbs (0.4 kg) - approximated

Mounting Specifications:

Related Products (each sold separately):

- FB-037: Face Mask Dispenser - Earloop (shown below)
- FB-040: Face Mask Dispenser - Tie
- FB-090: Face Mask Dispenser - Shield

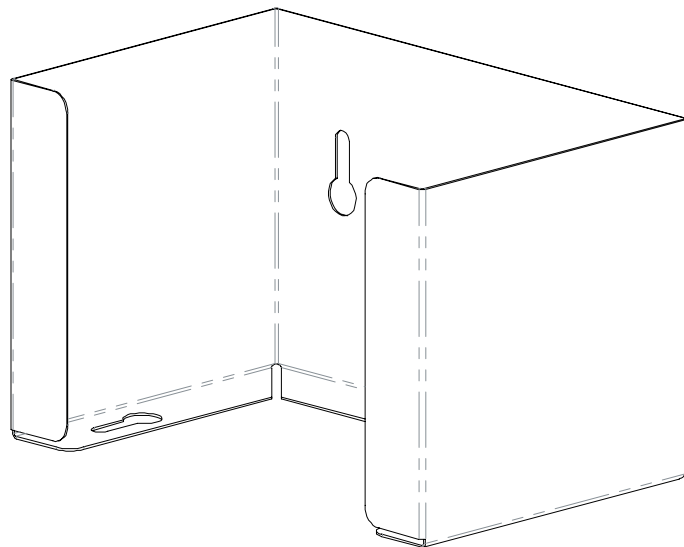




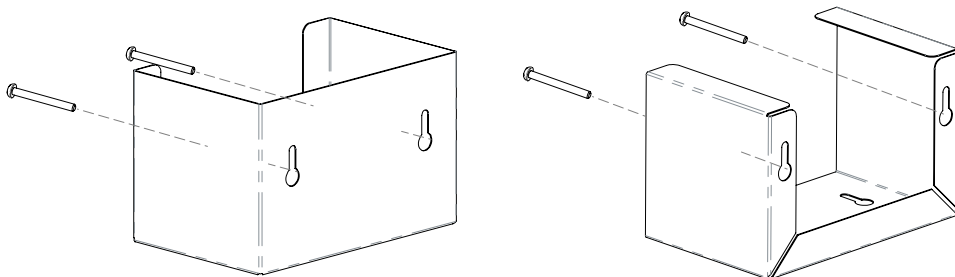
Installation

Always mount dispensers securely *prior* to loading with product.

- Wide flanges on all sides hold a variety of box sizes.



- Mount securely to a wall with screws approved and supplied by building maintenance.



Parts included:

- Dispenser

Tools Required:

- No tools required to assemble dispenser

Care and Construction

Powder-Coated Steel

Material Characteristics

Designed for Long-Term, Heavy-Duty Applications

Our steel dispensers and stands are coated with polyester powders which makes them highly resistant to corrosion.

Powder-coated steel is ideal for dispensers used in a healthcare or an industrial setting because it is impact resistant and is not effected by extremes in temperature.

Dispensers and stands made of powder-coated steel are both attractive and functional, providing years of service.

Care and Cleaning

For best results, clean by washing the surface with a diluted solution of a mild, non-abrasive detergent in cold or warm water and a non-abrasive cloth. Standard hospital cleaning supplies can be used.

Dry with a soft cloth. Do not use any solvent-based materials, abrasives (e.g. Scotch-brite, steel wool), or apply excessive force during cleaning.