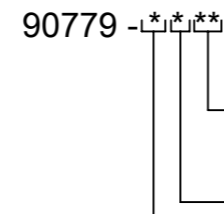


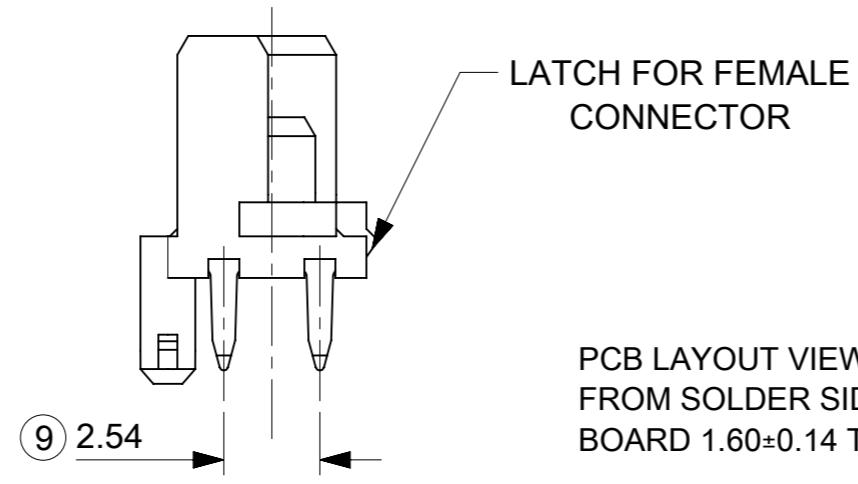
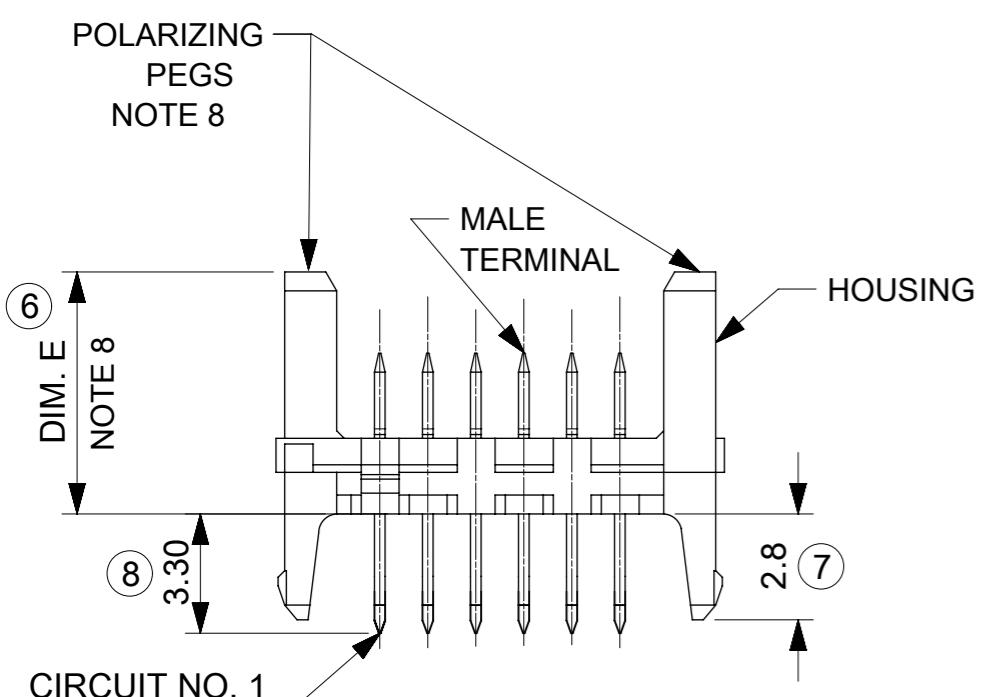
0 = 4-6µm TIN ASSY
 3 = 0.76µm GOLD ASSY
 7 = 0.76µm GOLD ASSY, TUBED
 9 = 4-6µm TIN ASSY TUBED



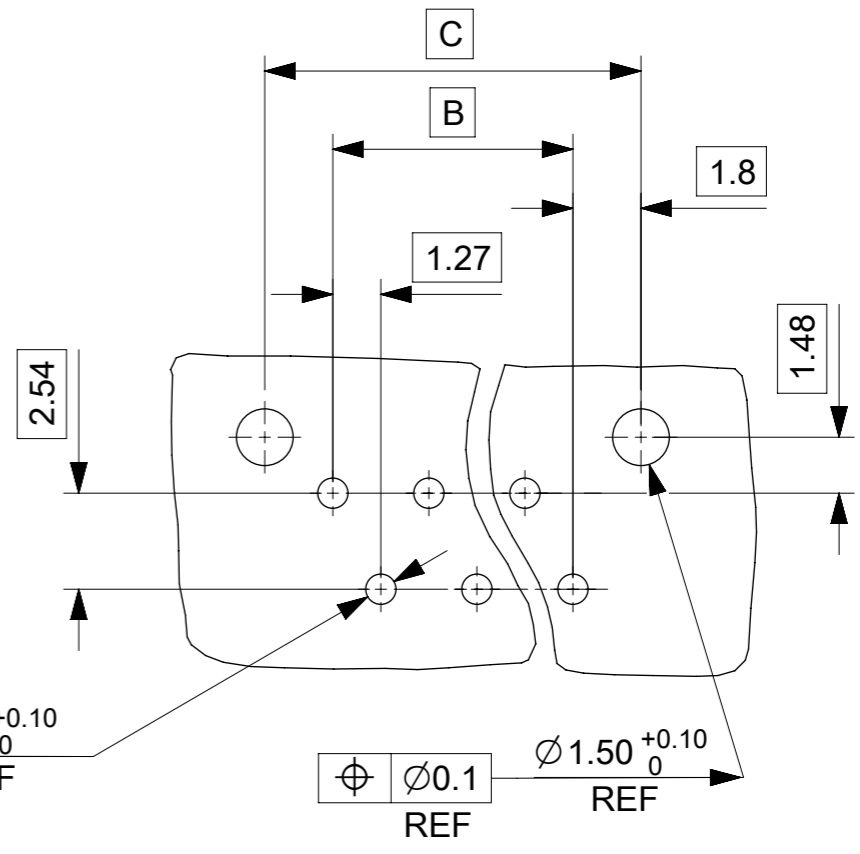
CIRCUIT SIZE 04 CCT TO 26 CCT
 -SEE ABOVE TABLE FOR PART CODE
 0 - STANDARD
 9 - SHORT VERSION

90779-**13	26	36.80	31.75	35.35	37.26
90779-**12	24	34.26	29.21	32.81	34.72
90779-**11	22	31.72	26.67	30.27	32.18
90779-**10	20	29.18	24.13	27.73	29.64
90779-**08	18	26.64	21.59	25.19	27.10
90779-**07	16	24.10	19.05	22.65	24.56
90779-**06	14	21.56	16.51	20.11	22.02
90779-**05	12	19.02	13.97	17.57	19.48
90779-**04	10	16.48	11.43	15.03	16.94
90779-**03	8	13.94	8.89	12.49	14.40
90779-**02	6	11.40	6.35	9.95	11.86
90779-**01	4	8.86	3.81	7.41	9.32
PART NO.	NO. OF CCTS	DIM. A	DIM. B	DIM. C	DIM. D

MOULD BASE COLOUR: NATURAL



PCB LAYOUT VIEWED FROM SOLDER SIDE.
 BOARD 1.60±0.14 THK



- NOTES:**
- HOUSING. NYLON 46, GLASS FILLED UL 94 V-0, NATURAL (WHITE).
 - TERMINAL: BRASS
 PLATING TIN: 1.27 MICROMETRE MIN. NICKEL UNDER 4-6 MICROMETRE TIN
 PLATING GOLD : UNDERPLATED 1.27µm MIN NICKEL 3-5µm TIN SELECTIVE
 0.76µm MIN. SELECTIVE GOLD
 - APPLICATION CLASS TO DIN 40040 HME (-25°C/+100°C)
 - PIN PUSH FORCE 7N
 - TEST VOLTAGE: 750V.A.C./1 MIN
 - COMPATIBLE WITH MOLEX PART 90327
 - PRODUCT SPECIFICATION: PS-99020-0011
 - POLARISING PEG AVAILABLE IN 2 OPTIONS
 DIM E: STANDARD 6.40mm
 DIM E: SHORT VERSION 4.10mm
 - PACKAGING SPECIFICATION: PK-90325-002

LAST INSPECTION NUMBER USED: 9

FUNCTIONAL SYMBOLS		THIS DRAWING CONTAINS INFORMATION THAT IS PROPRIETARY TO MOLEX ELECTRONIC TECHNOLOGIES, LLC AND SHOULD NOT BE USED WITHOUT WRITTEN PERMISSION		CURRENT REV DESC: CAD MIGRATION	
▽A = 0	mm	SCALE	5:1	molex	
▽E = 0	GENERAL TOLERANCES (UNLESS SPECIFIED)				
▽F = 0	ANGULAR TOL ± °				
DIVISIONAL SYMBOLS		4 PLACES ±			
		3 PLACES ± 0.2		EC NO: 738955	
		2 PLACES ± 0.2		DRWN: GOWTHP 2023/02/02	
		1 PLACE ±		CHK'D: GOWTHP 2023/02/16	
		0 PLACES ±		APPR: ISHWARG 2023/02/20	
DRAFT WHERE APPLICABLE MUST REMAIN WITHIN DIMENSIONS		THIRD ANGLE PROJECTION	DRAWING	SERIES	MATERIAL NUMBER
			A3-SIZE	90779	SDA-90779
					CUSTOMER
					GENERAL MARKET
					SHEET NUMBER
					1 OF 1