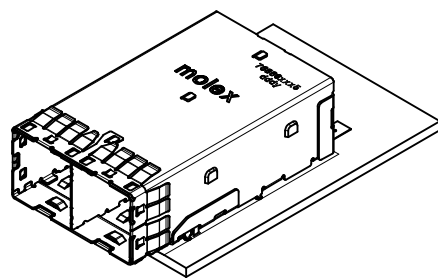


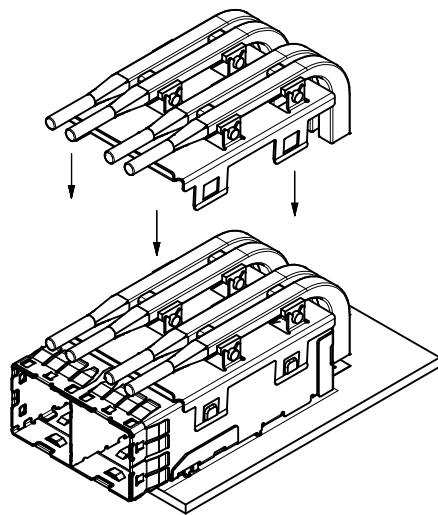
NOTES:

1. MATERIALS:  
 LIGHT PIPE: HALOGEN FREE, CLEAR POLYCARBONATE  
 COVER: STAINLESS STEEL ALLOY
2. PACKAGING SPECIFICATION: PK-76994-001
3. MATES WITH: 76866-00\*5

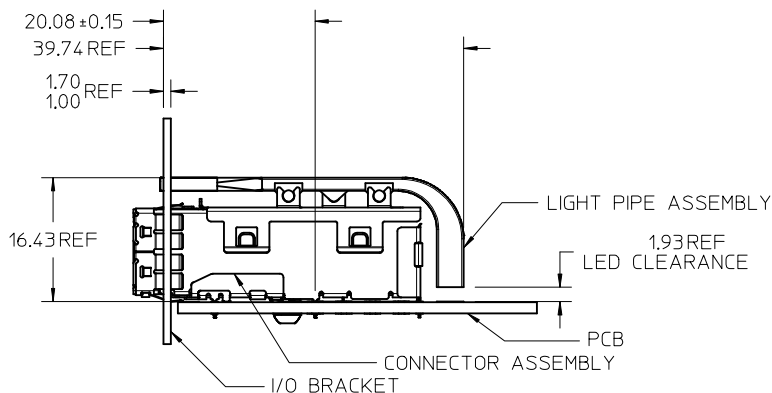
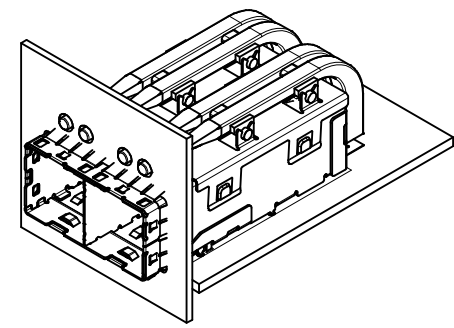
UPDATED MATL SPEC EC NO: UCP2014-1665 DRWN:TMCCLELL 2013/10/15 CHKD:TMCCLELLAND 2013/10/16 APPR:MBANAKIS 2013/10/17	QUALITY SYMBOLS ∇=0 ∇=0 ∇=0	GENERAL TOLERANCES (UNLESS SPECIFIED)		DIMENSION STYLE <b>MM ONLY</b>	SCALE <b>4:1</b>	DESIGN UNITS <b>METRIC</b>	THIRD ANGLE PROJECTION		
		4 PLACES ± --- ± ---	3 PLACES ± --- ± ---	2 PLACES ± 0.13 ± ---	1 PLACE ± 0.25 ± ---	0 PLACE ± ±	DRAWN BY DATE KLANG 2009/06/03		
		ANGULAR ±1/2°		DRAFT WHERE APPLICABLE MUST REMAIN WITHIN DIMENSIONS		CHECKED BY DATE TMCCLELLAND 2013/10/16		APPROVED BY DATE MBANAKIS 2010/01/14	
		MATERIAL NO. <b>76994-0003</b>		DOCUMENT NO. <b>SD-76994-003</b>		SHEET NO. 1 OF 2			



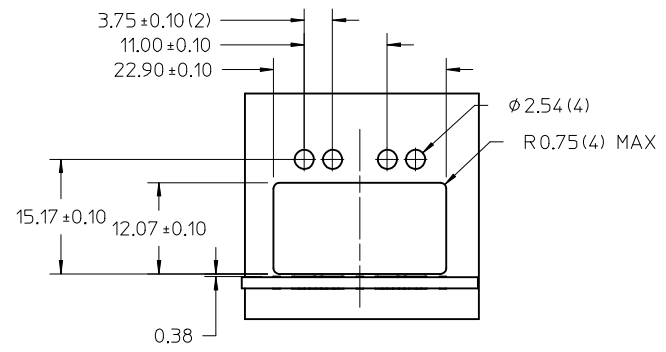
CONNECTOR AS APPLIED TO PCB



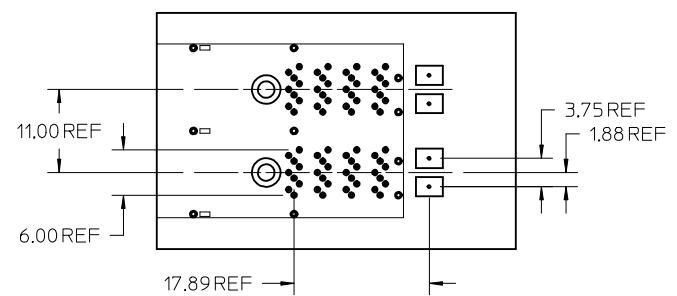
LIGHT PIPES AS APPLIED TO CONNECTOR



ASSEMBLED VIEW



I/O BRACKET CUT OUT (BRACKET NOT SUPPLIED)



SEE SHEET 1 EC NO: UCP2014-1665 DRWN:TMCCLELL 2013/10/15 CHKD:TMCCLELLAND 2013/10/16 APPR:MBANAKIS 2013/10/17	QUALITY SYMBOLS ▽=0 ▽=0 ▽=0	GENERAL TOLERANCES (UNLESS SPECIFIED)		DIMENSION STYLE <b>MM ONLY</b>	SCALE <b>2:1</b>	DESIGN UNITS <b>METRIC</b>	THIRD ANGLE PROJECTION		
		4 PLACES ± --- ± --- 3 PLACES ± --- ± --- 2 PLACES ± 0.13 ± --- 1 PLACE ± 0.25 ± ---	mm INCH	DRAWN BY DATE KLANG 2009/06/03	CHECKED BY DATE TMCCLELLAND 2013/10/16	IPASS PLUS HD 1X2 LIGHT PIPE & CLIP ASSEMBLY			
		ANGULAR ± 1/2°		APPROVED BY DATE MBANAKIS 2010/01/14	MOLEX INCORPORATED				
		DRAFT WHERE APPLICABLE MUST REMAIN WITHIN DIMENSIONS	SEE SHEET 1	MATERIAL NO.	DOCUMENT NO. SD-76994-003	SHEET NO. 2 OF 2			