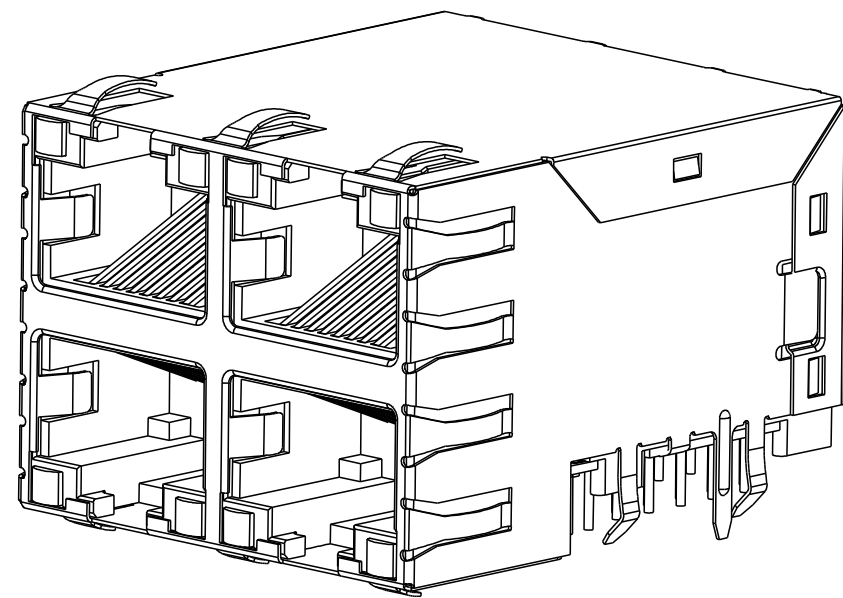
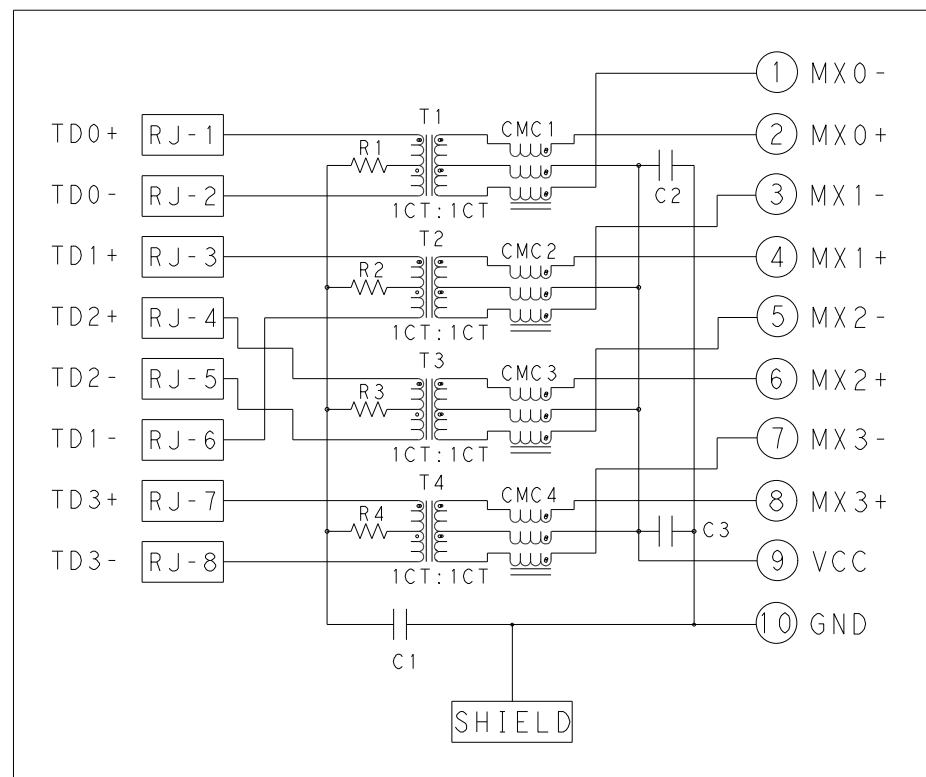


REVISIONS					
P	LYR	DESCRIPTION	DATE	DWN	APPD
E		LOGO CHANGE	02APR2013	TR	KZ



S8G56 GIGABIT CIRCUIT Δ Δ

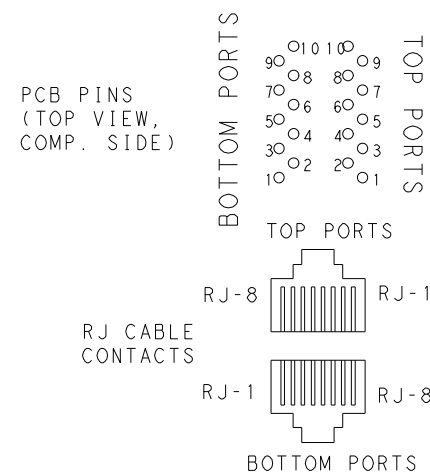
TOP AND BOTTOM PORTS



C1 = 1000pF, 2kV CAPACITOR
 C2 - C3 = 10nF, 50V CAPACITORS
 R1-R4 = 75 Ohms, 1/16 W, RESISTORS

PIN DESIGNATIONS

(REPEAT FOR EACH VERTICAL PAIR OF PORTS))



- 1 MATERIALS:
- HOUSING: THERMOPLASTIC, BLACK, FLAMMABILITY RATING UL 94V-0.
 - SHIELD: BRASS, PREPLATED WITH 0.76um MIN SEMI-BRIGHT NICKEL, POST DIPPED WITH 2.54um MIN SAC SOLDER ON SOLDER TAILS.
 - CONTACTS: PHOSPHOR BRONZE, PLATED WITH 1.27um MIN OVERALL NICKEL UNDERPLATE, SELECTIVE 1.27um MIN GOLD AT MATING INTERFACE AND 2.54um MIN MATTE TIN ON SOLDER TAILS.
 - LED: DIFFUSED EPOXY LENS, CARBON STEEL LEAD FRAME LEADS, PREPLATED WITH 2.03um MIN SILVER OVER 1.02um MIN NICKEL OVER 1.02um MIN COPPER UNDERPLATE, POST PLATED WITH 2.54um MIN MATTE TIN AND/OR 2.54um MIN SAC SOLDER DIP OR PURE TIN SOLDER DIP.

- Δ MAGNETICS
- APPLICATION: 10/100/1000 BASE-T
 - IMPEDANCE: 100 OHMS
 - TURNS RATIO (CHIP:CABLE): 1:1 ALL FOUR PAIRS
 - OPEN CIRCUIT INDUCTANCE (OCL): 350uH MIN @100kHz, 0.1VRMS, 8mADC BIAS FROM 0 °C TO 70 °C, ALL FOUR PAIRS
 - ALL FOUR PAIRS BI-DIRECTIONAL
 - PERFORMANCE @ 25 °C:
 - INSERTION LOSS (IL): 1.1dB MAX FROM 0.5MHz TO 100MHz
 - RETURN LOSS (RL): 18dB MIN FROM 0.5MHz TO 40MHz
 - 12-20LOG(f/80)dB MIN FROM 40.1MHz TO 100MHz
 - CROSSTALK ATTENUATION: 35dB MIN FROM 0.5MHz TO 40MHz
 - 33-20LOG(f/50)dB MIN FROM 40.1MHz TO 100MHz
 - COMMON MODE REJECTION RATIO (CMRR): 30dB MIN FROM 0.5MHz TO 100MHz
 - ISOLATION VOLTAGE: 2250VDC (MAX) FOR 60 SECONDS WITH A RISE TIME OF 500V/SEC AND WITH ALL PORTS CONNECTED.

- Δ PART NUMBER, DATE CODE AND COUNTRY OF ORIGIN ARE LOCATED IN THE APPROXIMATE AREA SHOWN. DATE CODE YY IS YEAR, WW IS WORK WEEK, D IS DAY OF WEEK, WITH SUNDAY=1

- Δ TRP LOGO AND AGENCY APPROVAL LOGO ARE LOCATED IN THE APPROXIMATE AREA SHOWN.

- Δ RJ45 CAVITIES CONFORM TO FCC RULES AND REGULATION PART 68 SUBPART F.

- Δ LEDS ARE DRIVEN WITH CONSTANT CURRENT AT APPROX. 20mA.
- DOMINANT WAVELENGTH (λ D)
- GREEN, 568nm TYP AT IF=20mA
 - YELLOW, 588nm TYP AT IF=20mA
- FORWARD VOLTAGE(VF)
- GREEN, 2.2V TYP AT IF=20mA
 - YELLOW, 2.1V TYP AT IF=20mA

- Δ INDICATED MAGNETIC CONNECTIONS ARE SYMMETRICAL AND SUPPORT AUTO-MDI/MDIX.

- 8 OPERATING TEMPERATURE: FROM 0 °C TO 70 °C

- 9 THE PARTS ARE RECOMMENDED FOR WAVE SOLDERING PROCESS, PEAK TEMPERATURE 260 °C MAX. 10 SECONDS MAX.

GREEN	YELLOW	GREEN	YELLOW	1	1840922-3
GREEN/YELLOW	GREEN/YELLOW	GREEN/YELLOW	GREEN/YELLOW	1	1840922-1
BOTTOM LED 2 (LEFT)	BOTTOM LED 1 (RIGHT)	TOP LED 2 (LEFT)	TOP LED 1 (RIGHT)	REAR PCB GND TABS	PART NUMBER

THIS DRAWING IS A CONTROLLED DOCUMENT. DWN: RICHARD QIAN 21DEC2009
 CHK: FRANK LIU 21DEC2009
 APD: LI JUN RAO 21DEC2009

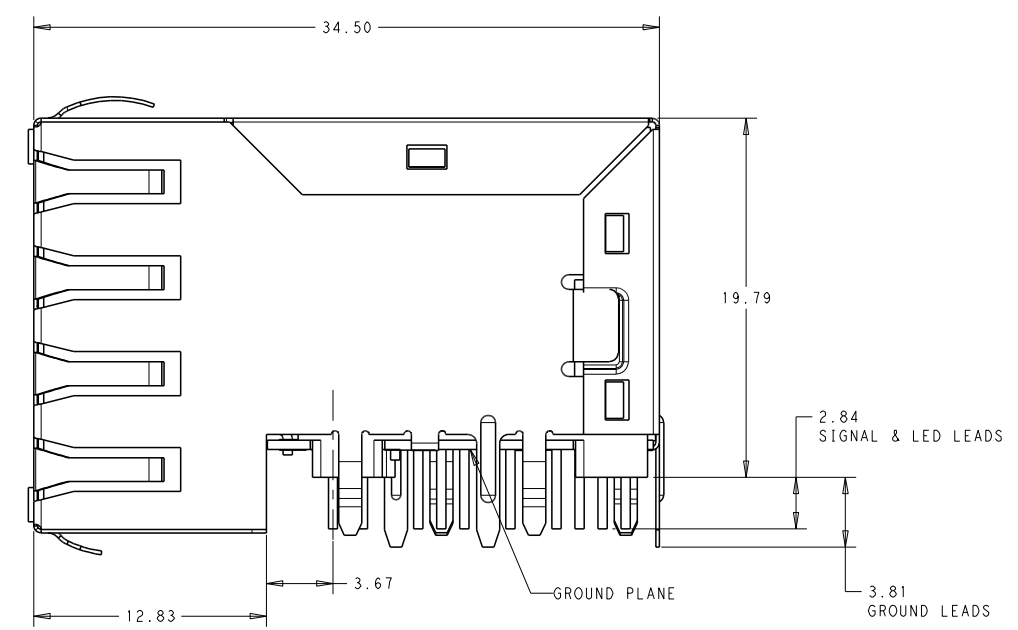
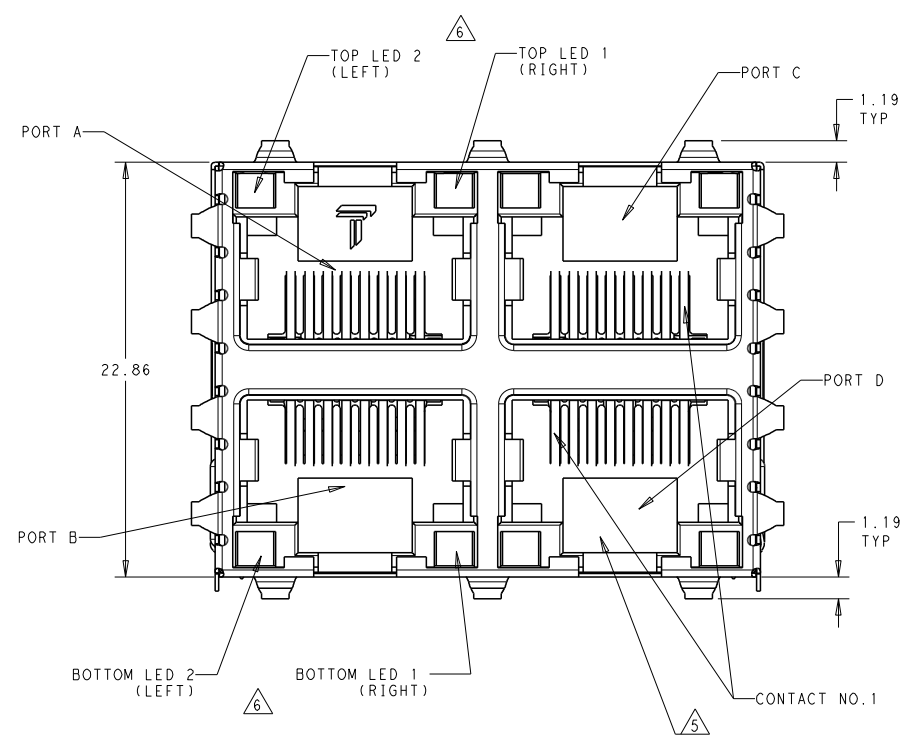
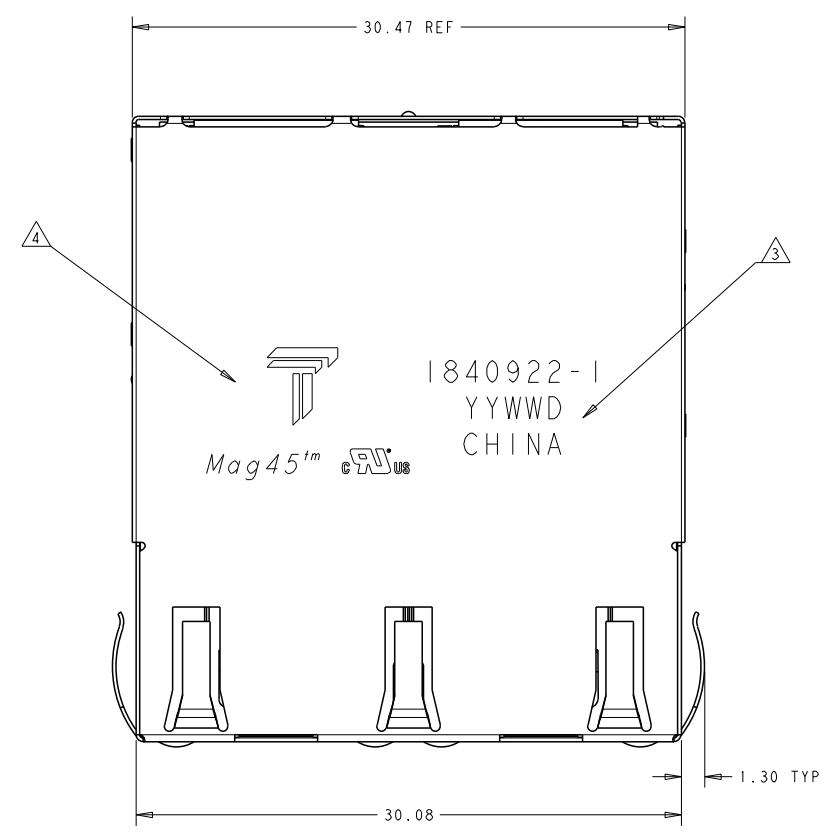
DIMENSIONS: mm
 TOLERANCES UNLESS OTHERWISE SPECIFIED:
 0 PLC ±
 1 PLC ±
 2 PLC ±0.25
 3 PLC ±
 4 PLC ±
 ANGLES ±
 FINISH ±

PRODUCT SPEC: 108-104004
 APPLICATION SPEC: -
 WEIGHT: -

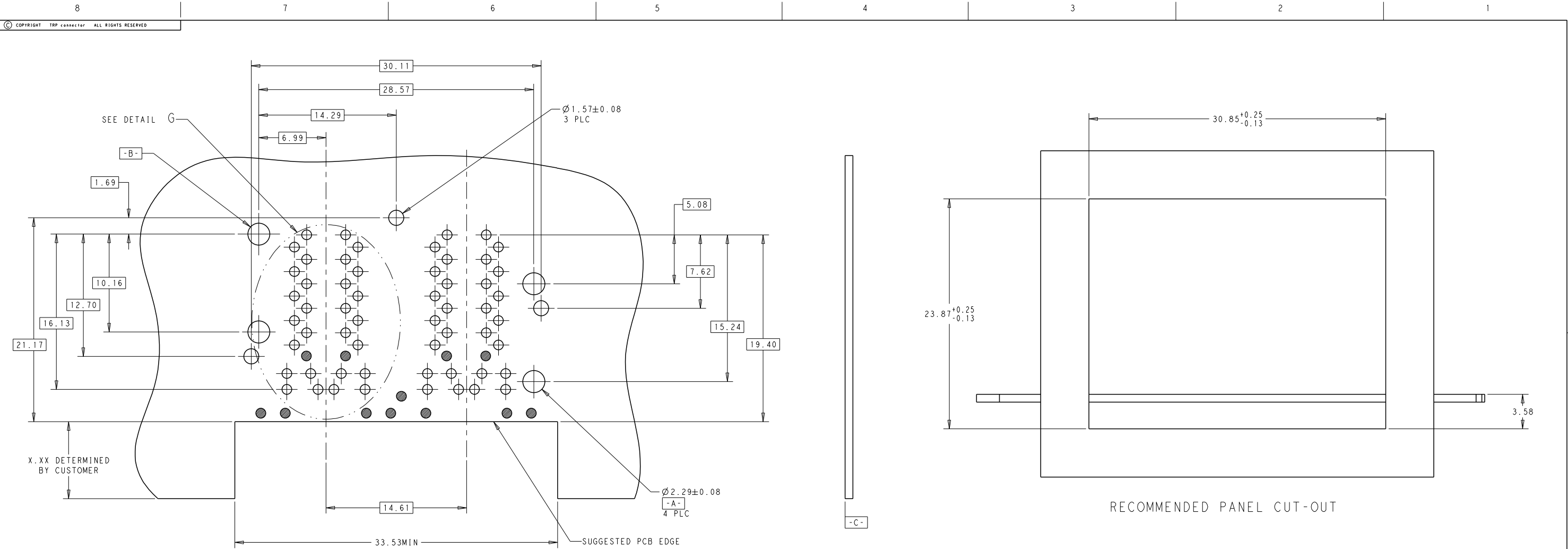
MATERIAL: -
 FINISH: -

NAME: 2X2 MAG45(TM) MODULAR JACK, OFFSET S8G56 GIGABIT CIRCUIT, W/ LED'S
 SIZE: A1
 CAGE CODE: -
 DRAWING NO: C=1840922
 RESTRICTED TO: -

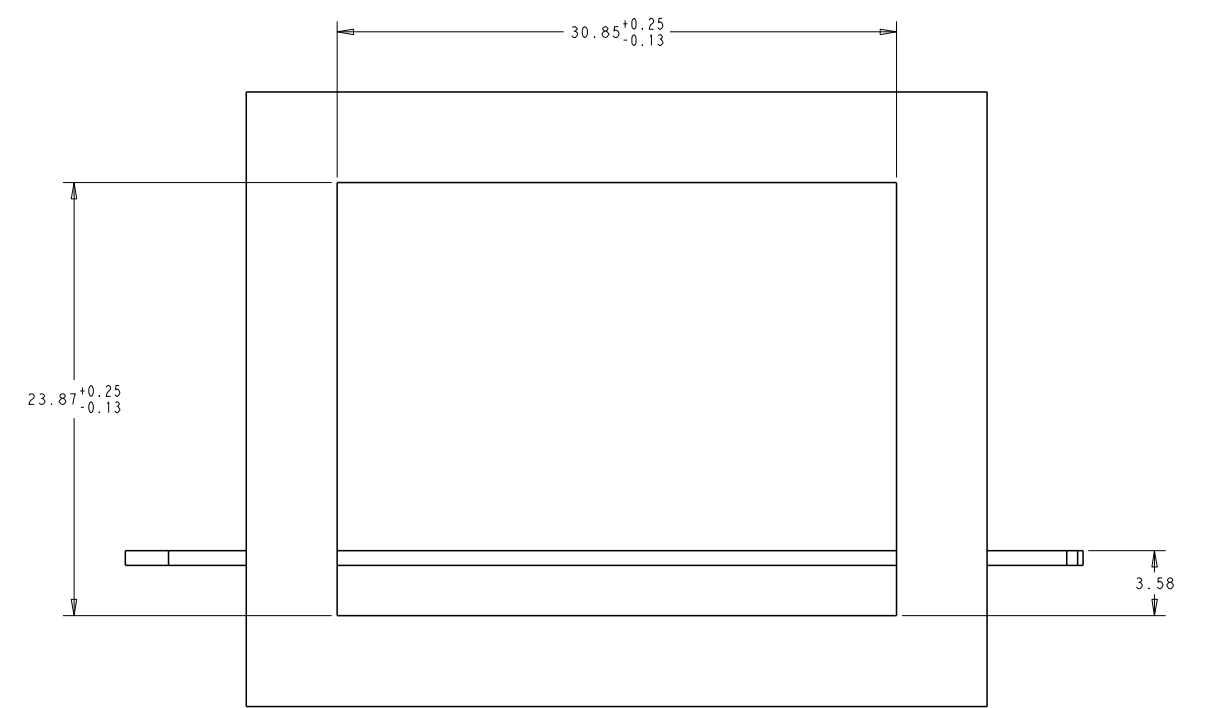
CUSTOMER DRAWING
 SCALE: 4:1
 SHEET: 1 OF 4
 REV: E



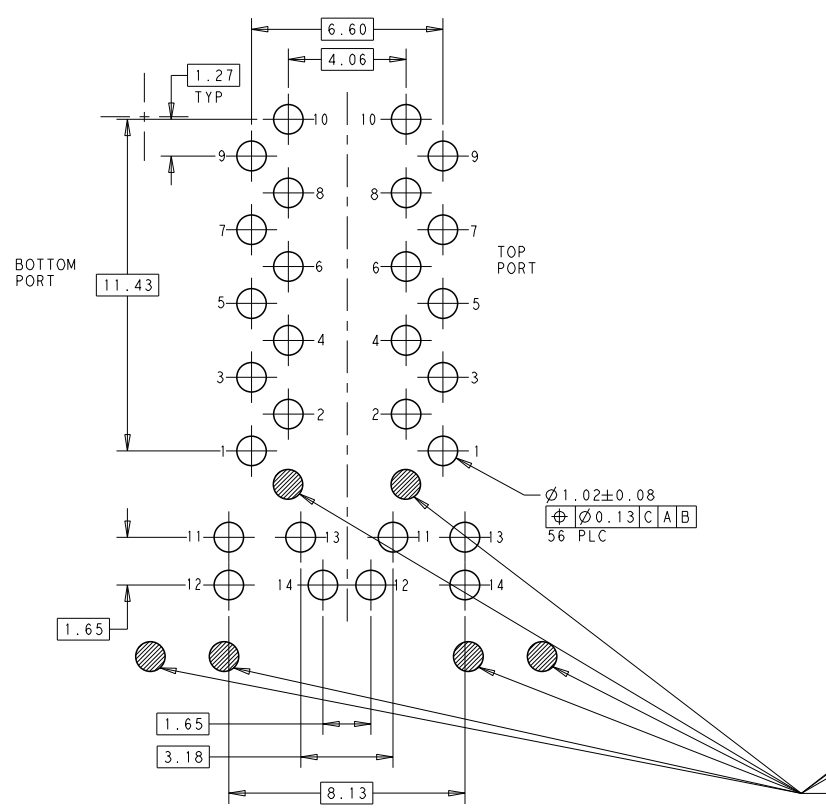
THIS DRAWING IS A CONTROLLED DOCUMENT.		OWN: RICHARD QIAN 21DEC2009	 TRP connector Dongguan China
		CHK: FRANK LIU 21DEC2009	
DIMENSIONS: mm		APPD: LI JUN RAO 21DEC2009	NAME: 2X2 MAG45(TM) MODULAR JACK, OFFSET S8G56 GIGABIT CIRCUIT, W/ LED'S APPLICATION SPEC
0 PLC ± 1 PLC ± 2 PLC ±0.25 3 PLC ± 4 PLC ± ANGLES ± FINISH		PRODUCT SPEC 108-104004 APPLICATION SPEC	
MATERIAL		WEIGHT	SIZE: A1 CAGE CODE: C=1840922 CUSTOMER DRAWING
		SCALE: 4:1	SHEET 2 OF 4 REV E



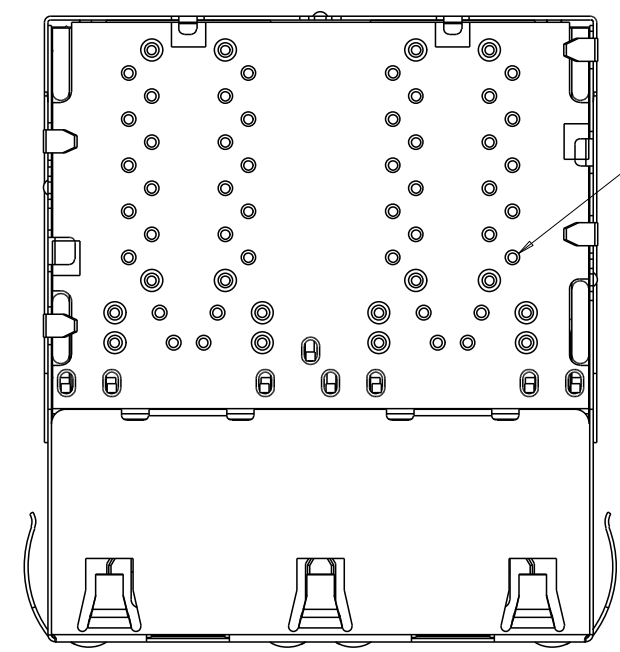
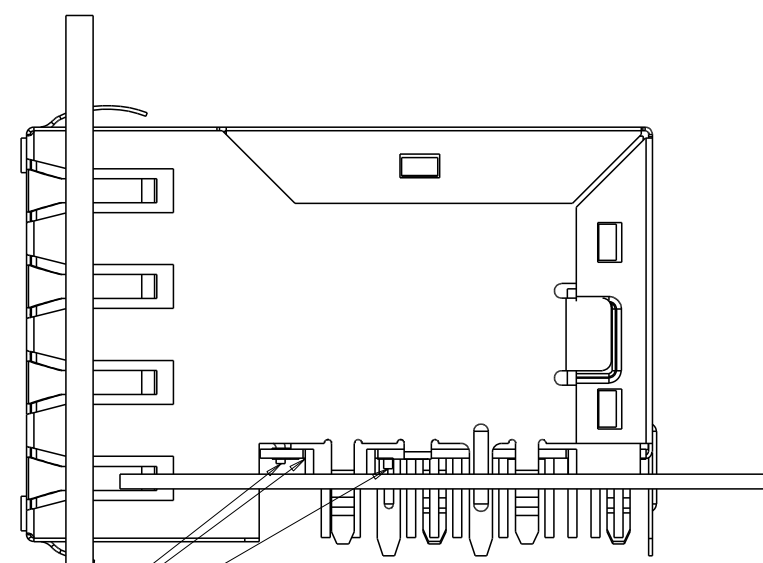
RECOMMENDED
PC BOARD LAYOUT VIEW FROM COMPONENT SIDE



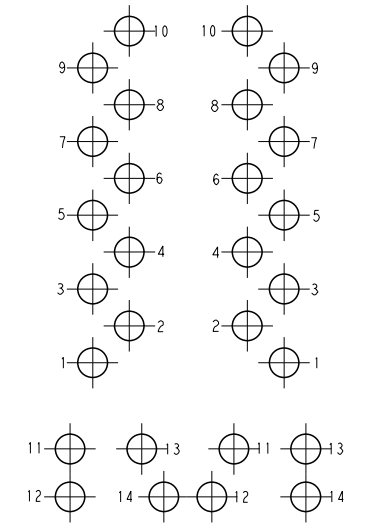
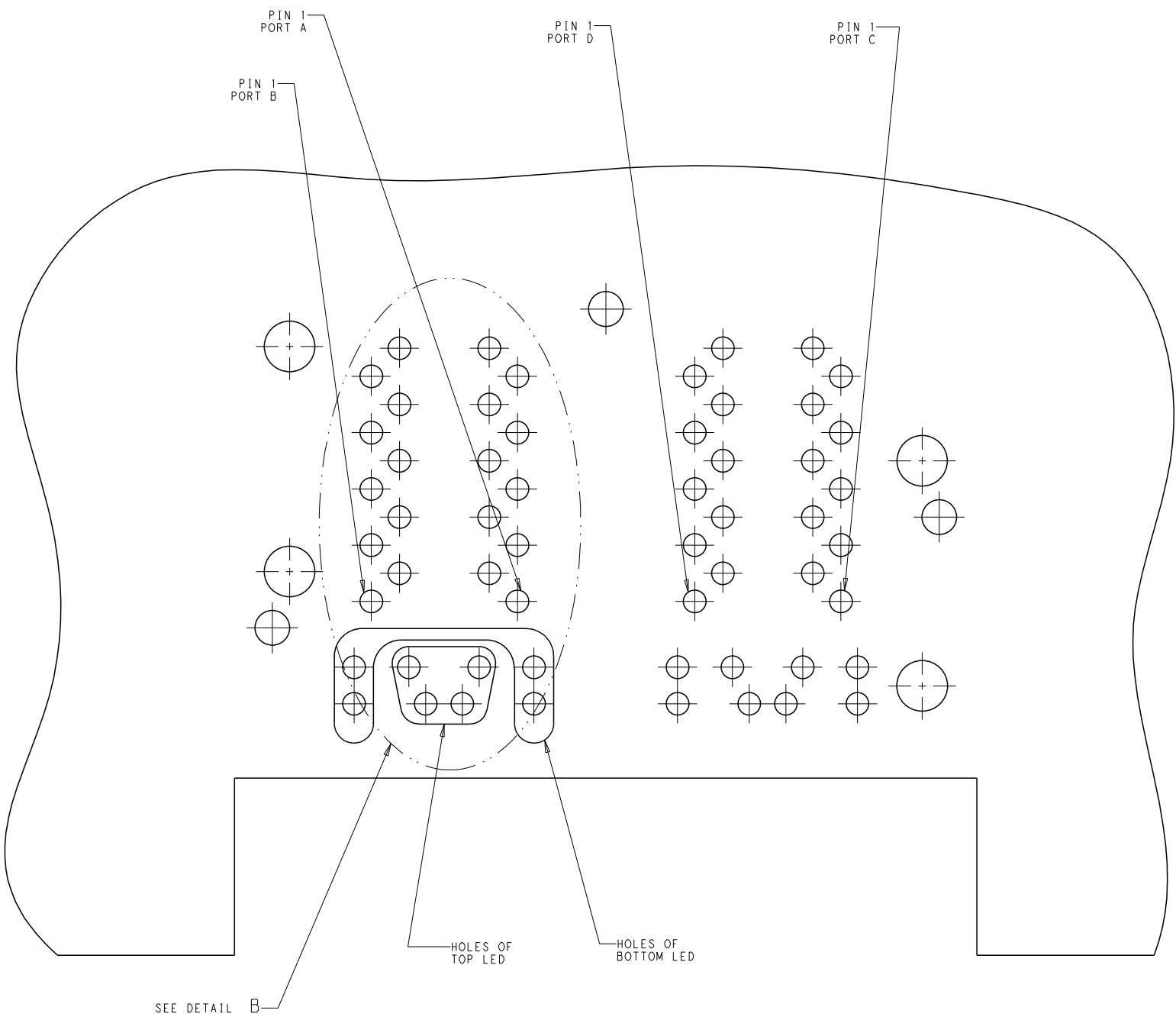
RECOMMENDED PANEL CUT-OUT



DETAIL G
SCALE 8:1



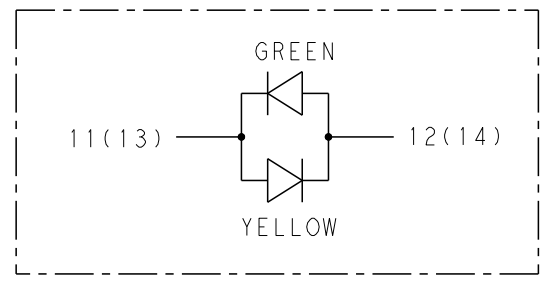
THIS DRAWING IS A CONTROLLED DOCUMENT.		DWN: RICHARD QIAN 21DEC2009 CHK: FRANK LIU 21DEC2009 APVD: LI JUN RAO 21DEC2009	 TRP connector Dongguan China
DIMENSIONS: mm	TOLERANCES UNLESS OTHERWISE SPECIFIED: 0 PLC ±: 1 PLC ±0.25 2 PLC ±: 3 PLC ±: 4 PLC ±: ANGLES ±: FINISH :	PRODUCT SPEC: 108-104004 APPLICATION SPEC:	NAME: 2X2 MAG45(TM) MODULAR JACK, OFFSET S8G56 GIGABIT CIRCUIT, W/ LED'S SIZE: A1 CAGE CODE: C=1840922 DRAWING NO: 1840922
MATERIAL:		WEIGHT:	RESTRICTED TO: - SCALE: 5:1 SHEET: 3 OF 4 REV: E
CUSTOMER DRAWING			



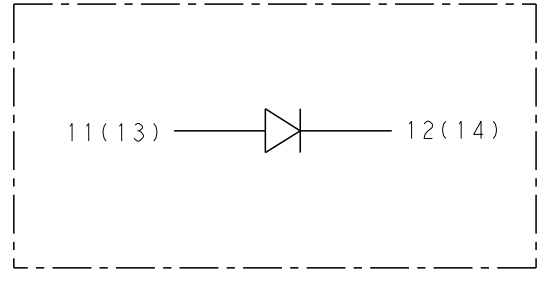
DETAIL B
SCALE 8:1

LED HOLE DESIGNATIONS VIEWED FROM COMPONENT SIDE

BI-COLOR-LED



SINGLE-COLOR-LED



THIS DRAWING IS A CONTROLLED DOCUMENT.		DWN: RICHARD QIAN 21DEC2009 CHK: FRANK LIU 21DEC2009 APVD: LI JUN RAO 21DEC2009	TRP connector Dongguan China
DIMENSIONS: mm	TOLERANCES UNLESS OTHERWISE SPECIFIED: 0 PLC ± 1 PLC ± 2 PLC ±0.25 3 PLC ± 4 PLC ± ANGLES ±	PRODUCT SPEC 108-104004 APPLICATION SPEC	NAME: 2X2 MAG45(TM) MODULAR JACK, OFFSET S8G56 GIGABIT CIRCUIT, W/ LED'S SIZE: CAGE CODE: DRAWING NO: A1 - ©=1840922 RESTRICTED TO:
MATERIAL:	FINISH:	WEIGHT:	SCALE: 8:1 SHEET 4 OF 4 REV E
CUSTOMER DRAWING			