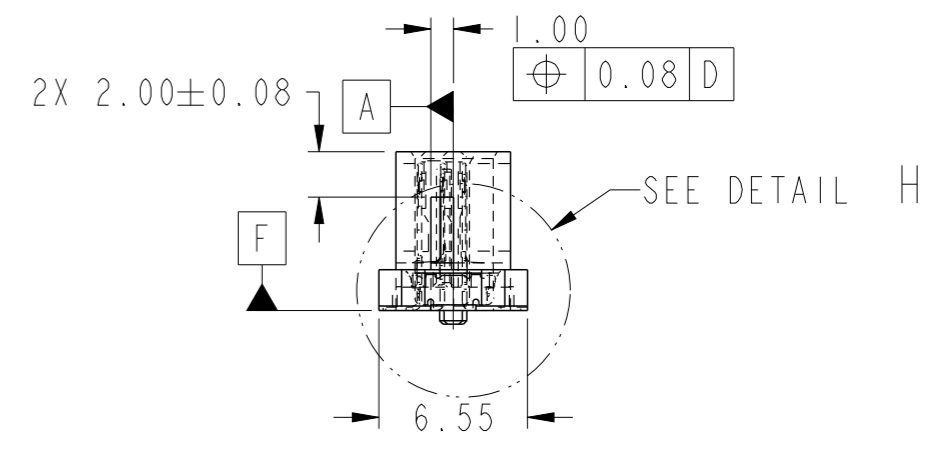
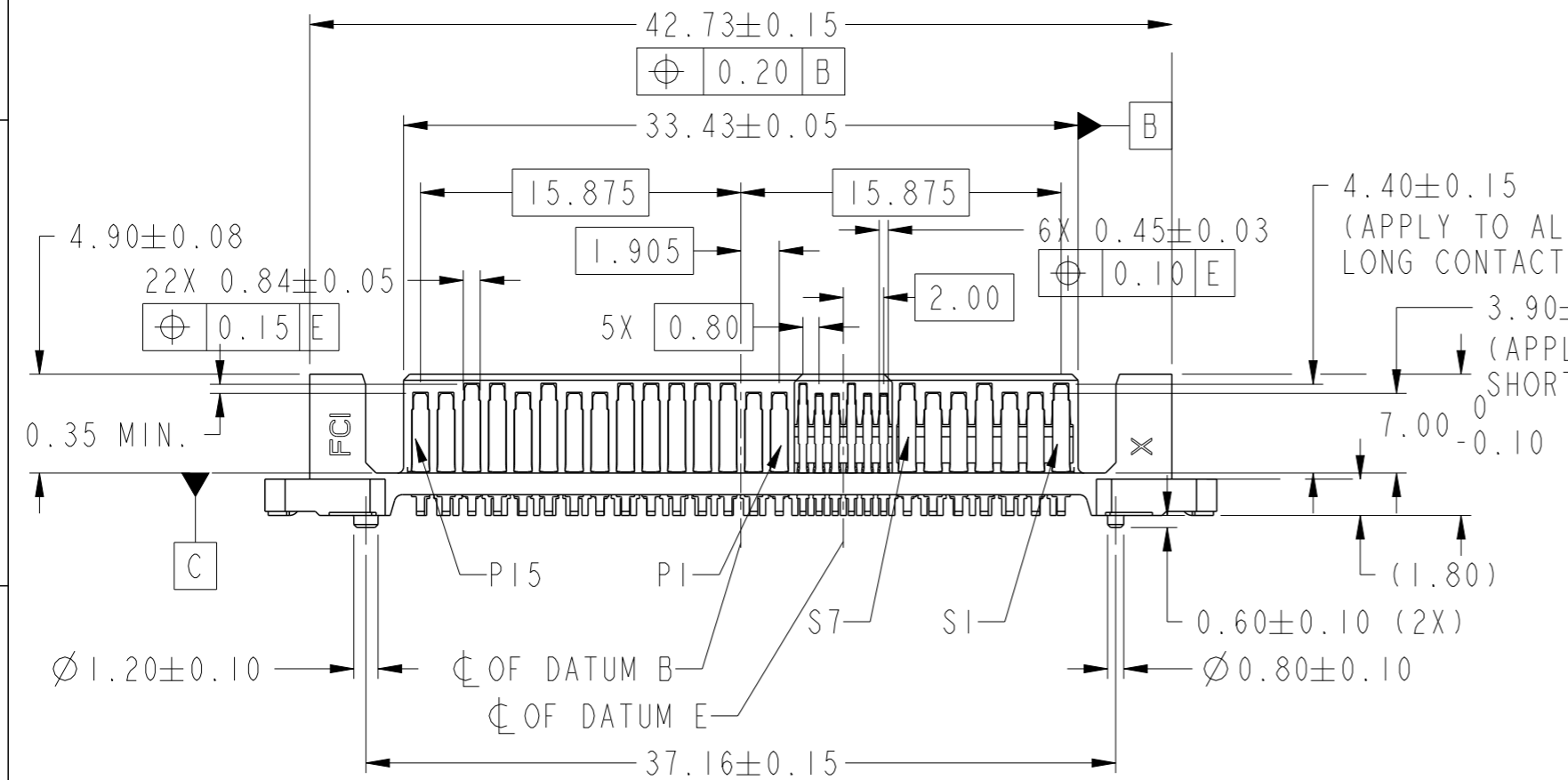
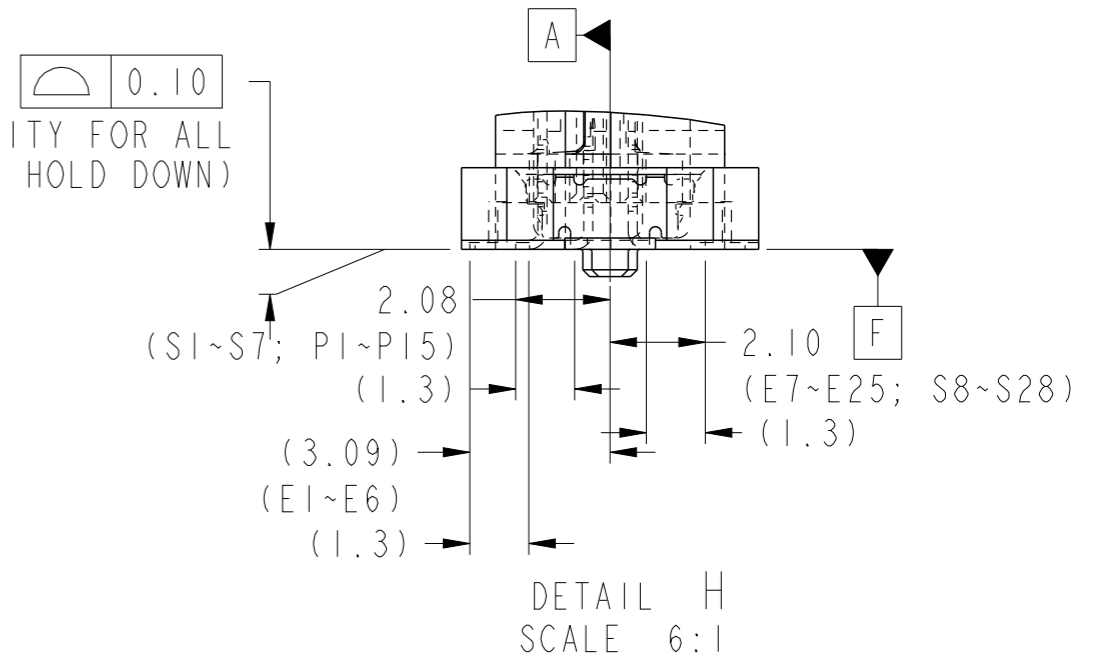
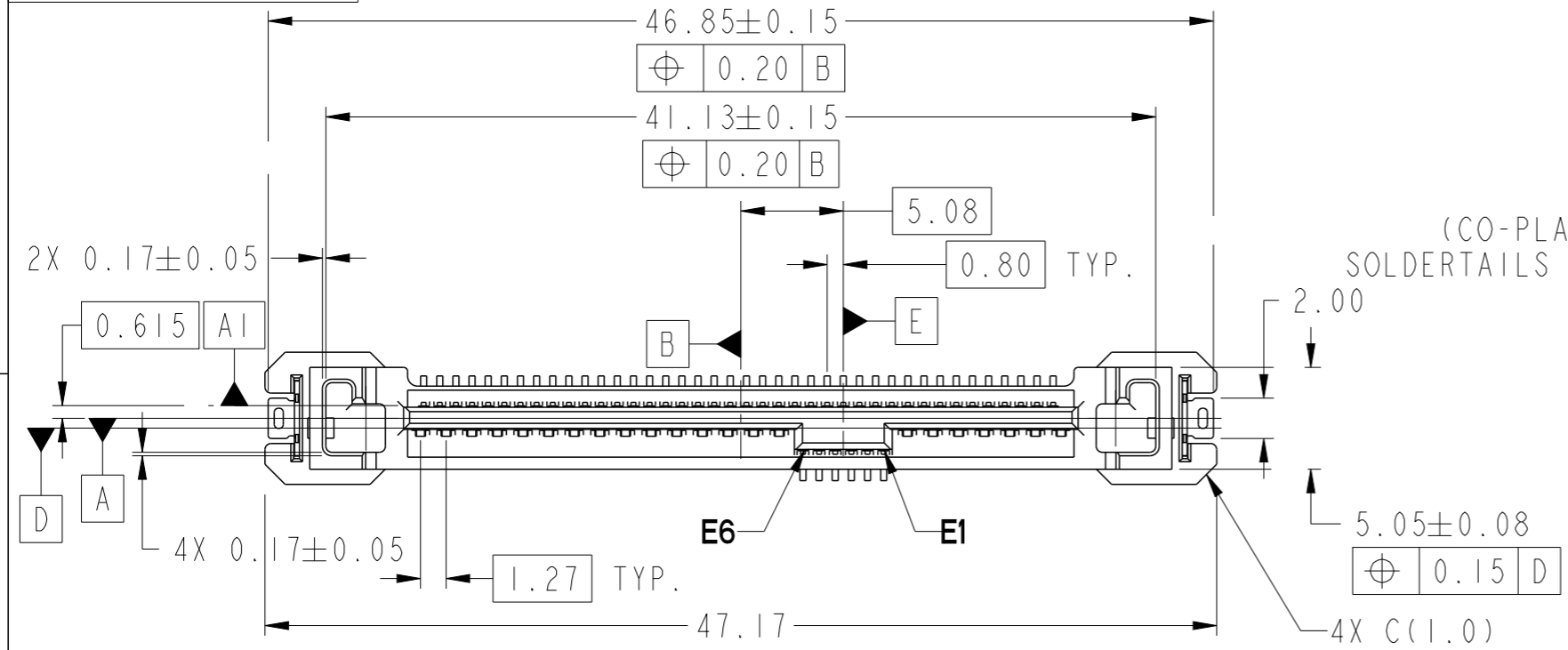


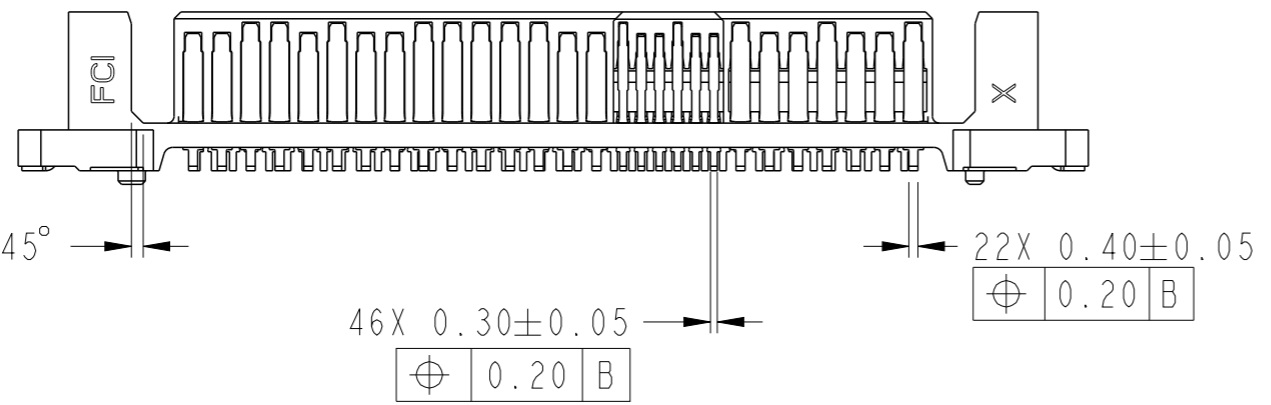
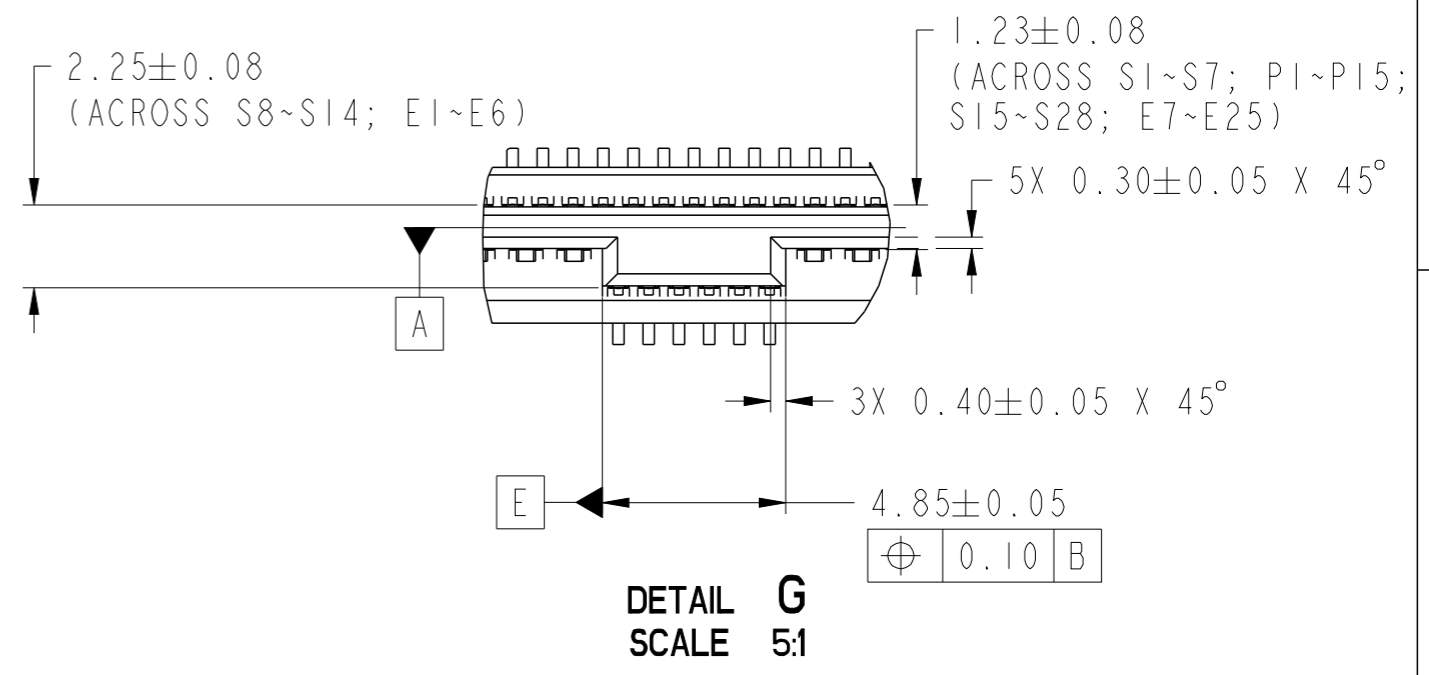
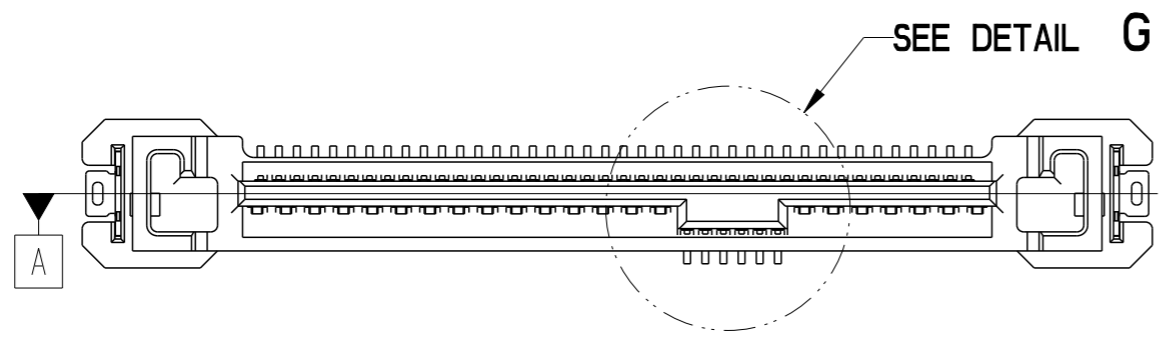
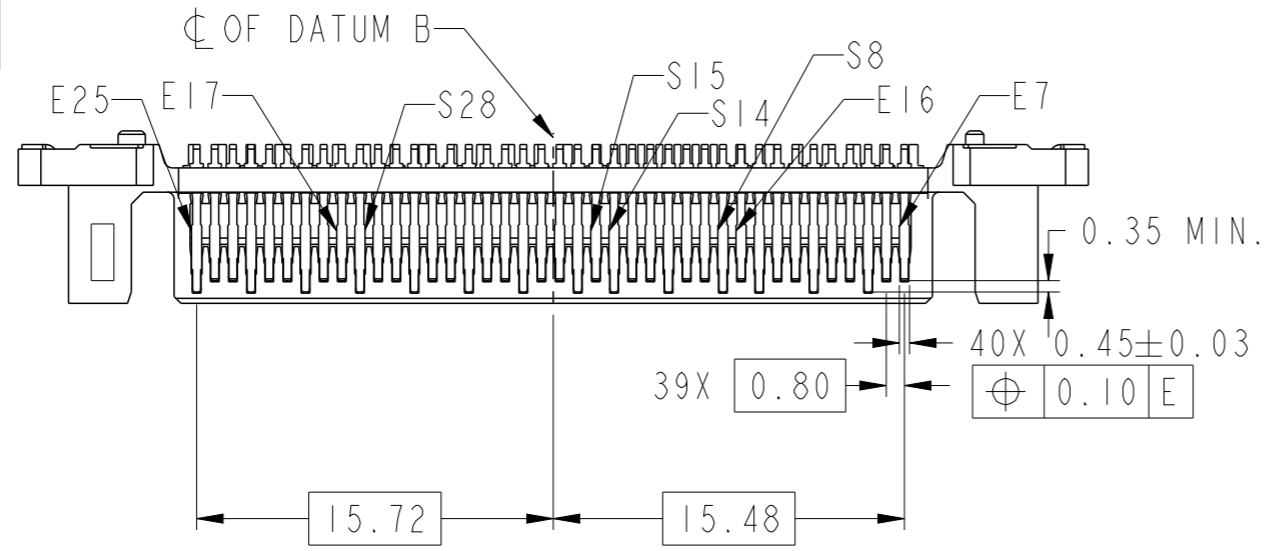
PRODUCT NUMBER
10123699-002C-TRLF



Amphenol FCI
© 2016 AFCI

spec ref	-	dr	Jeffrey Lim	2014/08/28	projection	MM	size	A3	scale	3:1
tolerance std	ISO 406 ISO 1101	eng	Jeffrey Lim	2019/09/13			ecn no	ELX-S-34822-2		
TOLERANCES UNLESS OTHERWISE SPECIFIED		chr	-	apppr			Koon-Poh Tay	2019/09/18	product family	-
surface	linear	0.X	±0.25	Amphenol FCI		SAS/PCIE PLUG VERTICAL SMT PLUG ASSY		dwg no 10123699	rev F	
		0.XX	±0.13							
		0.XXX	±0.050							
	angular	0°	±2°	cat. no.	-	Product - Customer Drw		sheet 1 of 4		

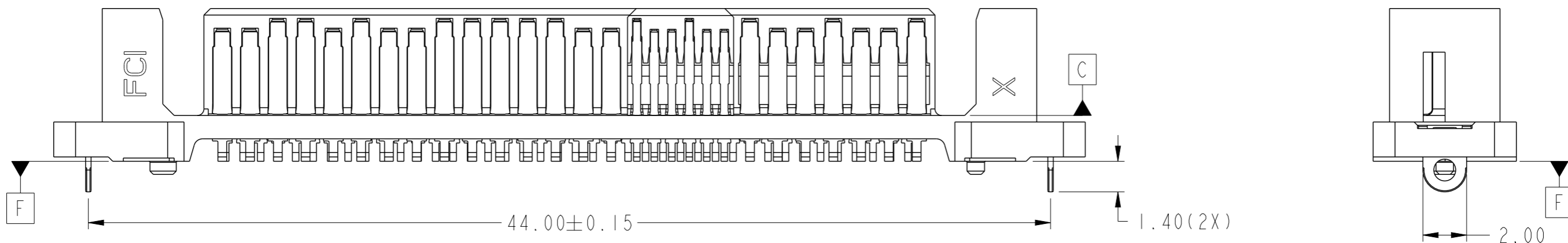
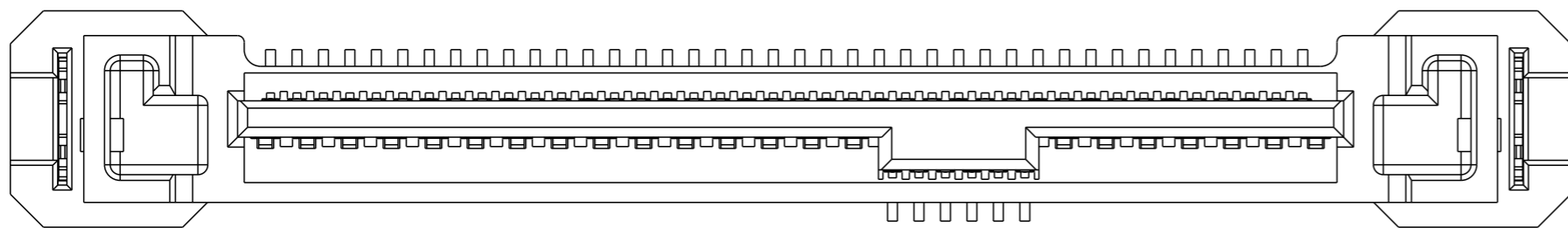
PRODUCT NUMBER
SEE TABLE



Amphenol FCI
© 2016 AFCI

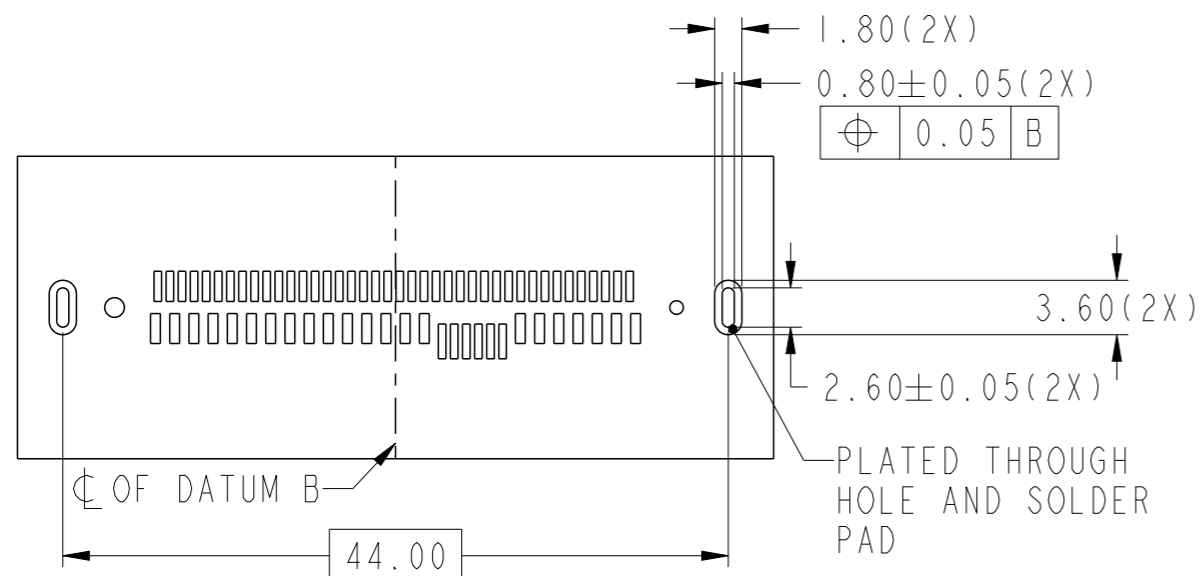
spec ref	-	dr	Jeffrey Lim	2014/08/28	projection	MM	size	A3	scale	3:1	
tolerance std	ISO 406 ISO 1101	eng	Jeffrey Lim	2019/09/13			ecn no	ELX-S-34822-2			
TOLERANCES UNLESS OTHERWISE SPECIFIED		chr	-	-			rel level	Released			
surface	linear	appr	Koon-Poh Tay	2019/09/18	product family	-	dwg no	10123699		rev	F
ISO 1302	angular			cat. no.	-	Product - Customer Drw	sheet 2 of 4				
	0.X	±0.25									
	0.XX	±0.13									
	0.XXX	±0.050									
	0°	±2°									

PRODUCT NO.
10123699-003C-TRLF



SCALE 5:1

FOR MORE DIMENSIONS, REFER TO 10123699-002C-TRLF



SCALE 2:1

RECOMMENDED PCB LAYOUT FOR 10123699-003C-TRLF
(FOR MORE DIMENSIONS, REFER TO PCB LAYOUT FOR 10123699-002C-TRLF)

spec ref	-	dr	Jeffrey Lim	2014/08/28	projection	MM	size	A3	scale	1:1
tolerance std	ISO 406 ISO 1101	eng	Jeffrey Lim	2019/09/13			ecn no	ELX-S-34822-2		
TOLERANCES UNLESS OTHERWISE SPECIFIED		chr	-	-			rel level	Released		
surface	linear	appr	Koon-Poh Tay	2019/09/18	product family	-	rel level	Released		
ISO 1302	angular			SAS/PCIE PLUG		dwg no	10123699	rev	F	
				VERTICAL SMT PLUG ASSY		Product - Customer Drw		sheet 3 of 4		

