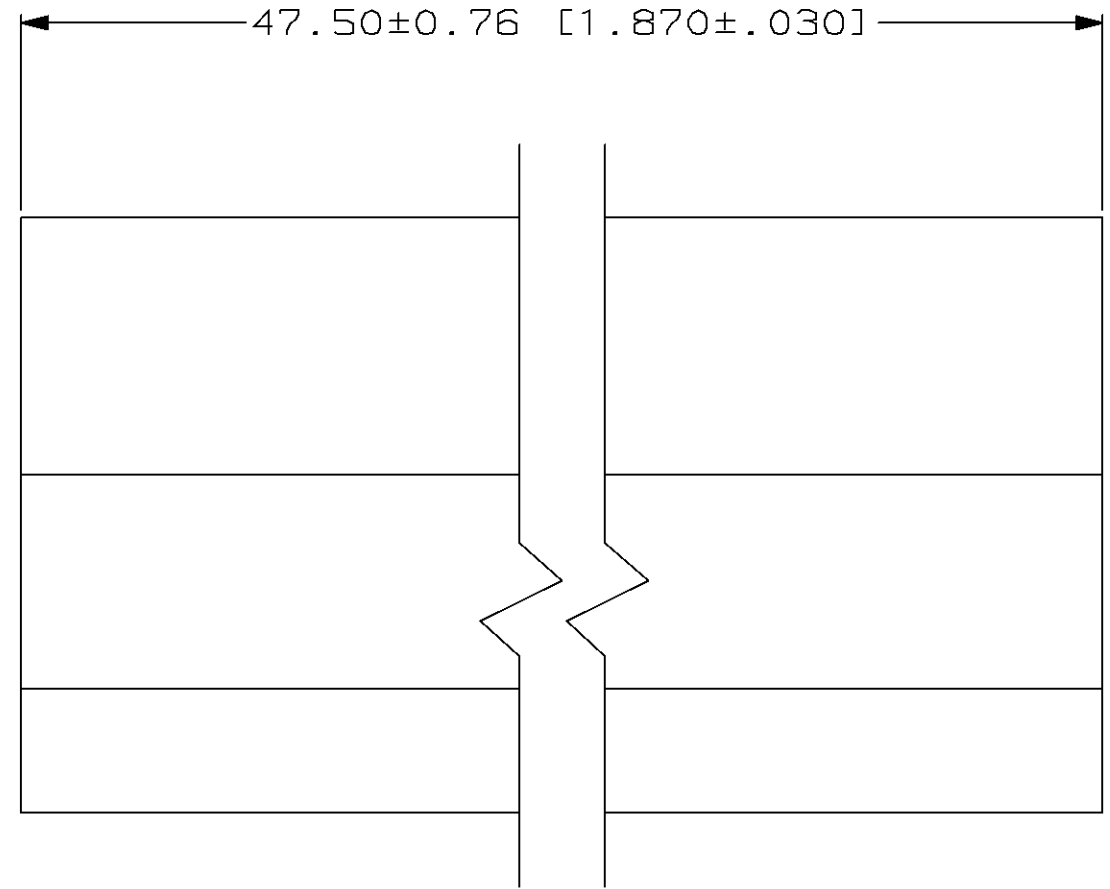
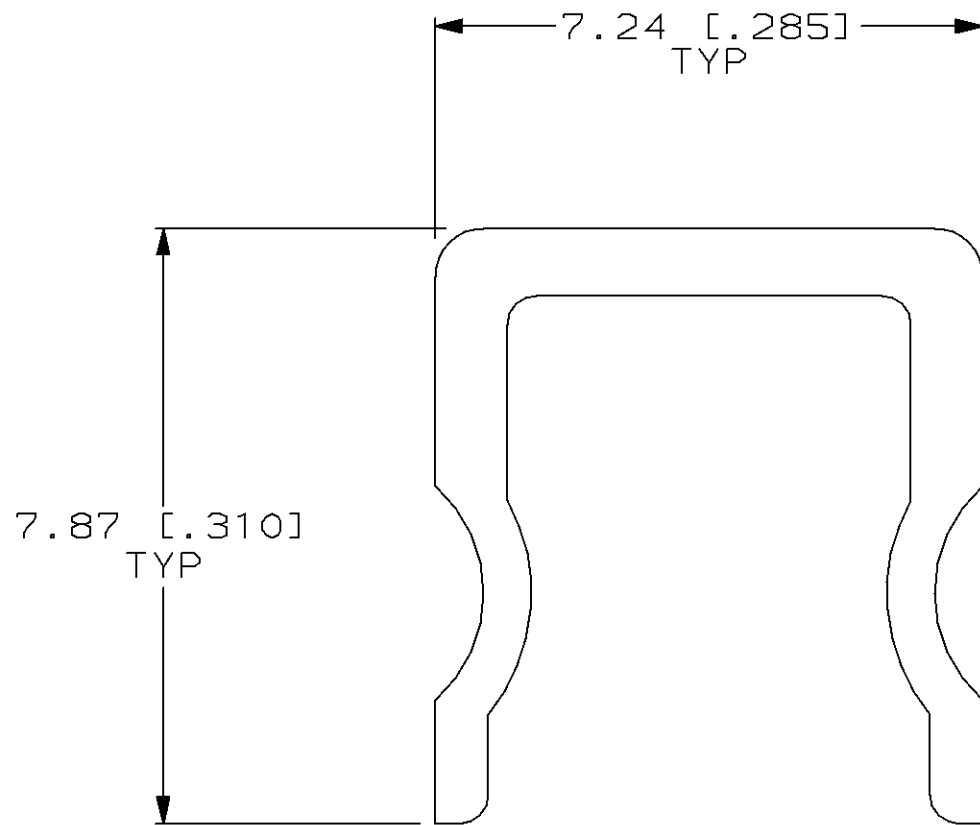


THIS DRAWING IS UNPUBLISHED. RELEASED FOR PUBLICATION, 19 .
© COPYRIGHT 19 BY AMP INCORPORATED. ALL INTERNATIONAL RIGHTS RESERVED.

LOC	DIST	P	F	ZONE	LTR	DESCRIPTION	DATE	APPD
AR	84				0	RELEASED PER NPR4739, WAS 92-0682-50	4/28/93	-
					A	REV PER EC 0020-681-93	07/01/93	JS



786854-1

PART NUMBER

THIS DRAWING IS A CONTROLLED DOCUMENT FOR AMP INCORPORATED. IT IS SUBJECT TO CHANGE AND THE CONTROLLING ENGINEERING ORGANIZATION SHOULD BE CONTACTED FOR THE LATEST REVISION.

DO NOT SCALE PRINT, UNLESS SPECIFIED DIMENSIONS IN mm [INCHES] TOLERANCES ON: 2 PLC DEC ± 0.13 [.005] 3 PLC DEC ± - ANGLES ± -	DR 4/28/93 W.LENKER	AMP AMP Incorporated Harrisburg, PA 17105-3608
	CHK 4-28-93 R.STONE	
	APPD 4-28-93 J.SWAIN	
	APPD 4-28-93 J.FULPONI	
MATERIAL POLYSTYRENE, BLUE	PRODUCT SPEC -	NAME DUST COVER, RCPT HSG, .050, CHAMP™
FINISH -	APPLICATION SPEC -	SIZE B CAGE CODE 00779 DRAWING NO C=786854
	WEIGHT -	SCALE 10:1 SHEET 1 OF 1