

insulating stop line for 5 terminal pairs individually separable, for each contactor 2 lines required, for contactors 3RT2.1 and auxiliary contactors 3RH2, (1 pack = 20 lines)



product brand name	SIRIUS
product designation	Insulation stop
Substance Prohibittance (Date)	10/01/2009

**Approvals Certificates**

General Product Approval	EMC	Declaration of Conformity	Marine / Shipping
--------------------------	-----	---------------------------	-------------------

[Confirmation](#)



Marine / Shipping	other	Environment
-------------------	-------	-------------



[Confirmation](#)



[Environmental Confirmations](#)

**Further information**

Siemens has decided to exit the Russian market (see here).  
<https://press.siemens.com/global/en/pressrelease/siemens-wind-down-russian-business>

Siemens is working on the renewal of the current EAC certificates.  
 Please contact your local Siemens office on the status of validity of the EAC certification if you intend to import or offer to supply these products to an EAC relevant market (other than the sanctioned EAEU member states Russia or Belarus).

Information on the packaging  
<https://support.industry.siemens.com/cs/ww/en/view/109813875>

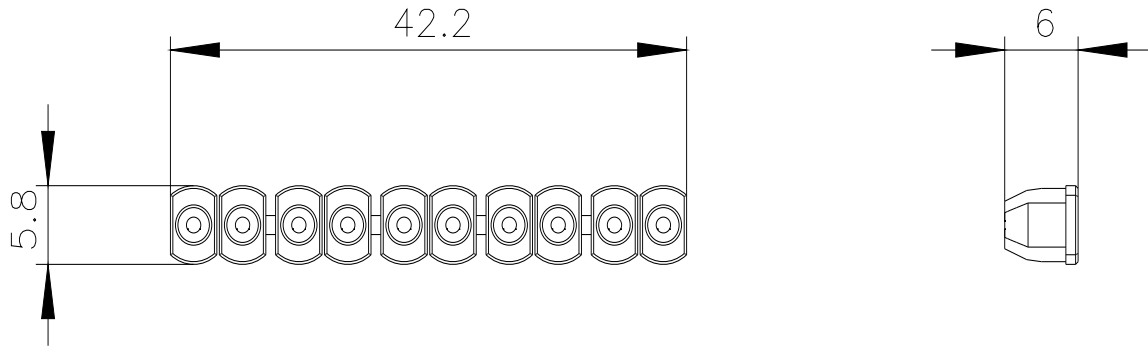
Information- and Downloadcenter (Catalogs, Brochures,...)  
<https://www.siemens.com/ic10>

Industry Mall (Online ordering system)  
<https://mall.industry.siemens.com/mall/en/en/Catalog/product?mlfb=3RT2916-4JA02>

Cax online generator  
<http://support.automation.siemens.com/WW/CAXorder/default.aspx?lang=en&mlfb=3RT2916-4JA02>

Service&Support (Manuals, Certificates, Characteristics, FAQs,...)  
<https://support.industry.siemens.com/cs/ww/en/ps/3RT2916-4JA02>

Image database (product images, 2D dimension drawings, 3D models, device circuit diagrams, EPLAN macros, ...)  
[http://www.automation.siemens.com/bilddb/cax\\_de.aspx?mlfb=3RT2916-4JA02&lang=en](http://www.automation.siemens.com/bilddb/cax_de.aspx?mlfb=3RT2916-4JA02&lang=en)



---

last modified:

1/10/2021 