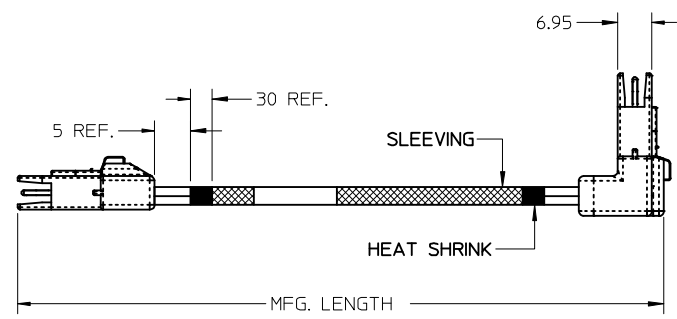
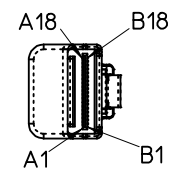
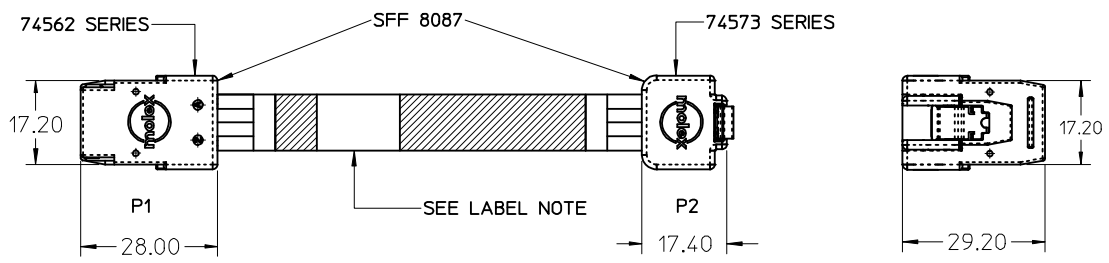
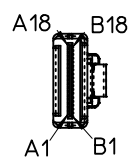


MATERIAL#	SIDEBANDS	APPLICATION	SLEEVING	AWG	LENGTH(M)	TOL (+/-)	PIN OUT
74573-2100	YES	Ctrl to BP	YES	30	0.152	0.015	PIN OUT 1
74573-2101	YES	Ctrl to BP	YES	30	0.3	0.015	PIN OUT 1
74573-2102	YES	Ctrl to BP	YES	30	0.5	0.015	PIN OUT 1
74573-2103	YES	Ctrl to BP	YES	30	0.6	0.015	PIN OUT 1
74573-2104	YES	Ctrl to BP	YES	30	1.0	0.015	PIN OUT 1
74573-2105	YES	Ctrl to BP	YES	30	0.20	0.015	PIN OUT 1
74573-2110	YES	Ctrl to CTRL	YES	30	0.152	0.015	PIN OUT 2
74573-2111	YES	Ctrl to CTRL	YES	30	0.3	0.015	PIN OUT 2
74573-2112	YES	Ctrl to CTRL	YES	30	0.5	0.015	PIN OUT 2
74573-2113	YES	Ctrl to CTRL	YES	30	0.6	0.015	PIN OUT 2
74573-2120	NO	N/A	YES	30	0.152	0.015	PIN OUT 3
74573-2121	NO	N/A	YES	30	0.3	0.015	PIN OUT 3
74573-2122	NO	N/A	YES	30	0.5	0.015	PIN OUT 3
74573-2123	NO	N/A	YES	30	0.6	0.015	PIN OUT 3
74573-2125	YES	Ctrl to BP	YES	30	0.2	0.015	PIN OUT 1



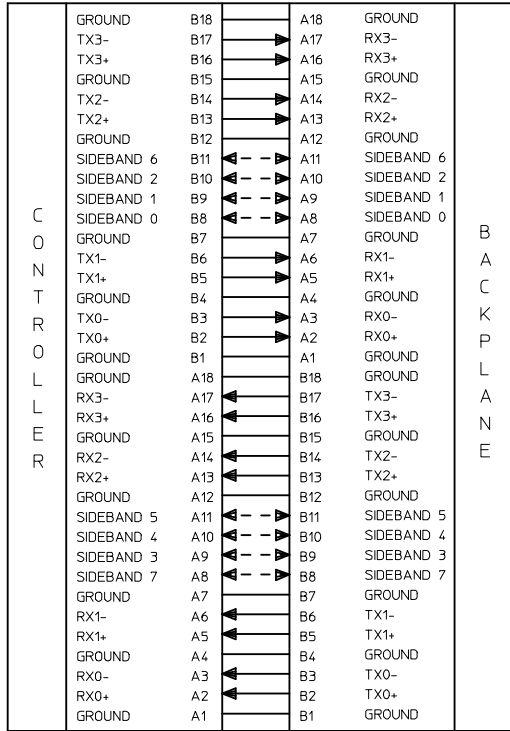
- NOTES:
- MATERIAL:
 - OVER MOLD - POLYBUTYLENE TEREPHTHALATE (PBT), 94-V0, GLASS FILLED 30%.
 - LATCH - STAINLESS STEEL ALLOY.
 - CABLE -
 - SIGNALS PVC INSULATION
 - SOLID COPPER SIGNALAND DRAIN.
 - INNER DIELECTRIC IS POLYOLEFIN
 - TWIN-AX SHIELD IS ALUMINIZED POLYESTER FOIL.
 - JACKET - PVC RED
 - PCB - FR4



- PRODUCT TO PERFORM PER PRODUCT SPECIFICATION: PS-79536-001.
- PRODUCT MATES TO 75783 (RIGHT ANGLE) AND 75784 (VERTICAL) SERIES.
- THIS PRODUCT CONFORMS TO THE MECHANICAL DIMENSIONING AND ELECTRICAL PERFORMANCE REQUIREMENTS OF SFF-8087.
- MINIMUM RECOMMENDED BEND RADIUS 28 MM.
- PRODUCT IS RoHS COMPLIANT.
- LABEL INFO.
 - MOLEX
 - <<PART NUMBER>>
 - MADE IN CHINA
 - WW/YY

IPASS™ IS A TRADEMARK OF MOLEX.

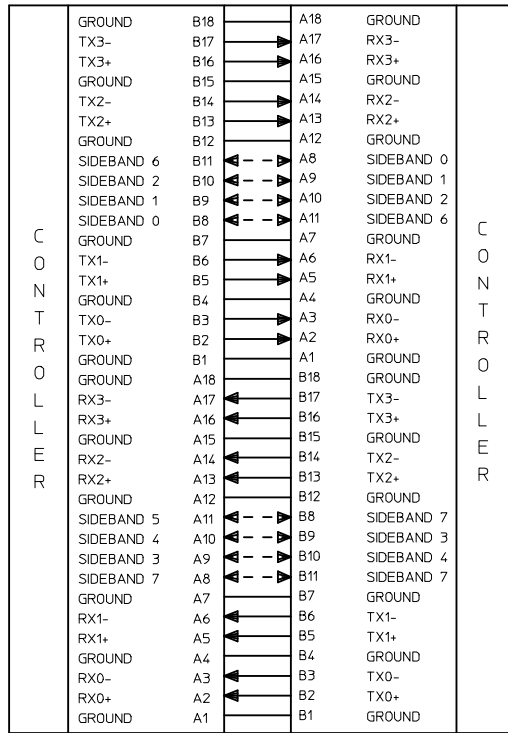
ENTER DESCRIPTION EC NO: USY2008-0220 DRAWN:PSYTSMA 2007/11/14 CHKD:DDOYE 2007/11/15 APPR:DDOYE 2007/11/15 REV	QUALITY SYMBOLS ▽=0 ▽=0	GENERAL TOLERANCES (UNLESS SPECIFIED) mm INCH 4 PLACES ± --- ± --- 3 PLACES ± --- ± .010 2 PLACES ± 0.25 ± --- 1 PLACE ± REF ± --- ANGULAR ± 1/2°	DIMENSION STYLE MM/IN DRAWN BY DATE K.PHILLIPS 2005/12/27 CHECKED BY DATE T.HALL 2005/12/27 APPROVED BY DATE D.DOYE 2005/12/27	SCALE 1:1 DESIGN UNITS METRIC THIRD ANGLE PROJECTION
	DRAFT WHERE APPLICABLE MUST REMAIN WITHIN DIMENSIONS		MATERIAL NO. SEE TABLE	TITLE IPASS (MINI-SAS) RA INTERNAL CABLE 36 CKT 4X W/ SIDEBANDS MOLEX INCORPORATED
	THIS DRAWING CONTAINS INFORMATION THAT IS PROPRIETARY TO MOLEX INCORPORATED AND SHOULD NOT BE USED WITHOUT WRITTEN PERMISSION		DOCUMENT NO. SD-74573-210	SHEET NO. 1 OF 5
	SIZE B			



NOTE:
 1. PINOUT CONFORMS TO SAS 1.1 9.0D SECTION 5.2.4.1.2.3
 2. ALL SIGNAL GROUNDS ARE BUSSED IN PCB.

IPASS™ IS A TRADEMARK OF MOLEX

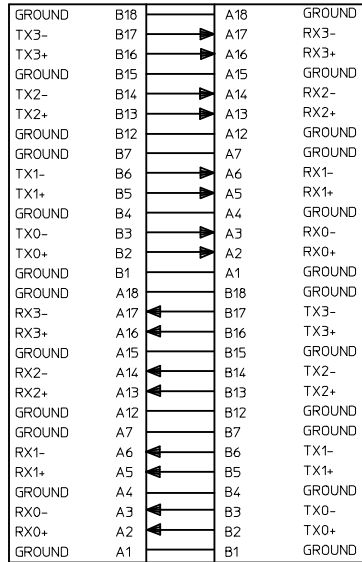
ENTER DESCRIPTION EC NO: USY2008-0220 IDR:WNPSTYSA 2007/11/14 CHKD:DDOYE 2007/11/15 APPR:DDOYE 2007/11/15 REV DESCRIPTION	QUALITY SYMBOLS	GENERAL TOLERANCES (UNLESS SPECIFIED)	DIMENSION STYLE	SCALE	DESIGN UNITS	THIRD ANGLE PROJECTION
	▽=0	4 PLACES ± --- ± ---	MM/IN	1:1	METRIC	
	▽=0	3 PLACES ± --- ± .010				
		2 PLACES ± 0.25 ± ---				
		1 PLACE ± REF ± ---				
		ANGULAR ±1/2°				
		DRAFT WHERE APPLICABLE MUST REMAIN WITHIN DIMENSIONS				
			DRAWN BY DATE	TITLE		
			K.PHILLIPS 2005/12/27	IPASS (MINI-SAS) RA INTERNAL CABLE 36 CKT 4X W/ SIDEBANDS		
			CHECKED BY DATE			
			T.HALL 2005/12/27			
			APPROVED BY DATE			
			D.DOYE 2005/12/27			
			MATERIAL NO.	DOCUMENT NO.		
			9999999999	SD-74573-210		
			SIZE B	THIS DRAWING CONTAINS INFORMATION THAT IS PROPRIETARY TO MOLEX INCORPORATED AND SHOULD NOT BE USED WITHOUT WRITTEN PERMISSION		
					SHEET NO.	
					2 OF 5	



NOTE
 1. FOR CONTROLLER TO CONTROLLER.
 2. ALL SIGNAL GROUNDS ARE BUSSED IN PCB.

IPASS™ IS A TRADEMARK OF MOLEX

ENTER DESCRIPTION EC NO: USY2008-0220 2007/11/14 DRW:WFSY/MSA 2007/11/15 CHKD:DDOYE 2007/11/15 APPR:DDOYE 2007/11/15	QUALITY SYMBOLS ▽=0 ▽=0	GENERAL TOLERANCES (UNLESS SPECIFIED)		DIMENSION STYLE MM/IN		SCALE 1:1	DESIGN UNITS METRIC	THIRD ANGLE PROJECTION			
		4 PLACES ± --- ± ---	mm INCH	DRAWN BY K.PHILLIPS	DATE 2005/12/27	TITLE IPASS (MINI-SAS) RA INTERNAL CABLE 36 CKT 4X W/ SIDEBANDS					
		3 PLACES ± --- ± .010		CHECKED BY T.HALL	DATE 2005/12/27						
		2 PLACES ± 0.25 ± ---		APPROVED BY D.DOYE		DATE 2005/12/27	MOLEX MOLEX INCORPORATED		DOCUMENT NO. SD-74573-210		
1 PLACE ± REF ± ---		MATERIAL NO. 9999999999		SHEET NO. 3 OF 5							
DRAFT WHERE APPLICABLE MUST REMAIN WITHIN DIMENSIONS		SIZE B		THIS DRAWING CONTAINS INFORMATION THAT IS PROPRIETARY TO MOLEX INCORPORATED AND SHOULD NOT BE USED WITHOUT WRITTEN PERMISSION							

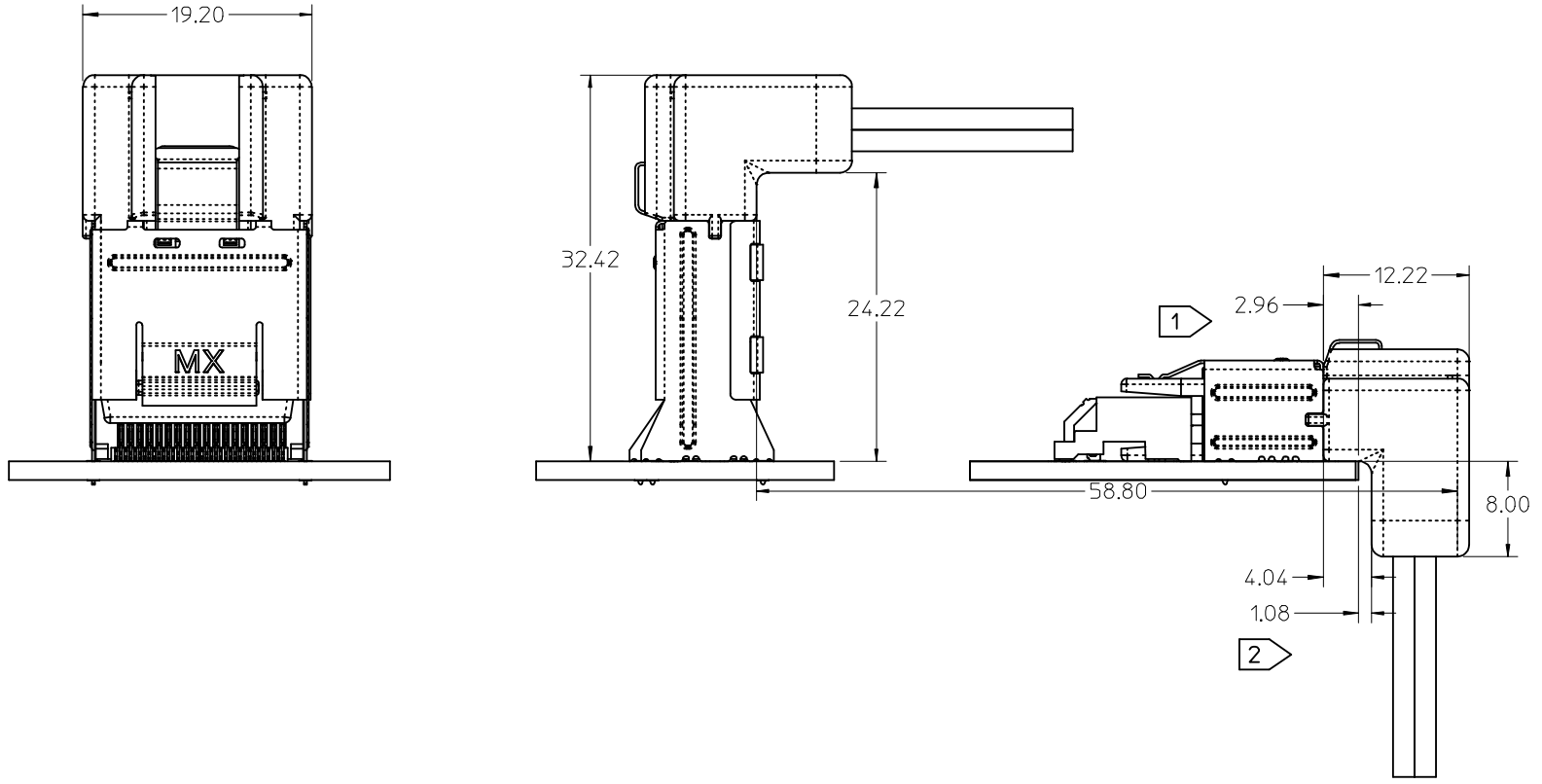


NOTE

1. FOR NO SIDE BANDS
2. ALL SIGNAL GROUNDS ARE BUSSED IN PCB.

IPASS™ IS A TRADEMARK OF MOLEX

ENTER DESCRIPTION EC NO: USY2008-0220 ITT DRW:WHPST/MA 2007/11/14 CHKD:DDOYE 2007/11/15 APPR:DDOYE 2007/11/15 REV DESCRIPTION	QUALITY SYMBOLS	GENERAL TOLERANCES (UNLESS SPECIFIED)	DIMENSION STYLE	SCALE	DESIGN UNITS	THIRD ANGLE PROJECTION
	$\nabla=0$ $\nabla=0$	mm INCH 4 PLACES ± --- ± --- 3 PLACES ± --- ± .010 2 PLACES ± 0.25 ± --- 1 PLACE ± REF ± --- ANGULAR ±1/2°	MM/IN	1:1	METRIC	
		DRAFT WHERE APPLICABLE MUST REMAIN WITHIN DIMENSIONS	DRAWN BY DATE	TITLE		
			K.PHILLIPS 2005/12/27	IPASS (MINI-SAS) RA INTERNAL CABLE 36 CKT 4X W/ SIDEBANDS		
			CHECKED BY DATE	MOLEX INCORPORATED		
		T.HALL 2005/12/27	MATERIAL NO. 9999999999			
		APPROVED BY DATE	DOCUMENT NO. SD-74573-210			
		D.DOYE 2005/12/27	SHEET NO. 4 OF 5			
		SIZE B	THIS DRAWING CONTAINS INFORMATION THAT IS PROPRIETARY TO MOLEX INCORPORATED AND SHOULD NOT BE USED WITHOUT WRITTEN PERMISSION			



APPLICATION ENVELOPE DIMENSION

- 1. RECOMMENDED MAX DISTANCE HOOD TO EDGE OF PCB
- 2. RECOMMENDED MINIMUM DISTANCE OF PLUG TO PCB

ENTER DESCRIPTION EC NO: USY2008-0220 DR: MNPSTMA 2007/11/14 CHKD: DDOYE 2007/11/15 APPR: DDOYE 2007/11/15	QUALITY SYMBOLS ▽=0 ▽=0	GENERAL TOLERANCES (UNLESS SPECIFIED)		DIMENSION STYLE MM/IN	SCALE 1:1	DESIGN UNITS METRIC	THIRD ANGLE PROJECTION		
		4 PLACES ± --- ± ---	mm INCH	DRAWN BY K.PHILLIPS	DATE 2005/12/27	TITLE IPASS (MINI-SAS) RA INTERNAL CABLE 36 CKT 4X W/ SIDEBANDS			
		3 PLACES ± --- ± .010		CHECKED BY T.HALL	DATE 2005/12/27				
		2 PLACES ± 0.25 ± ---		APPROVED BY D.DOYE	DATE 2005/12/27	MOLEX INCORPORATED			
1 PLACE ± REF ± ---		MATERIAL NO. SEE TABLE		DOCUMENT NO. SD-74573-210	SHEET NO. 5 OF 5				
DRAFT WHERE APPLICABLE MUST REMAIN WITHIN DIMENSIONS		ANGULAR ± 1/2°		THIS DRAWING CONTAINS INFORMATION THAT IS PROPRIETARY TO MOLEX INCORPORATED AND SHOULD NOT BE USED WITHOUT WRITTEN PERMISSION					