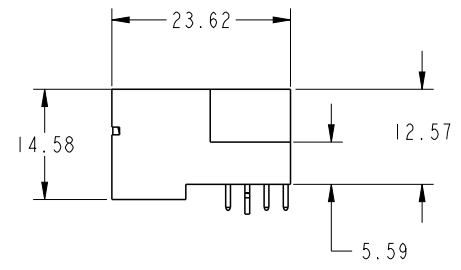
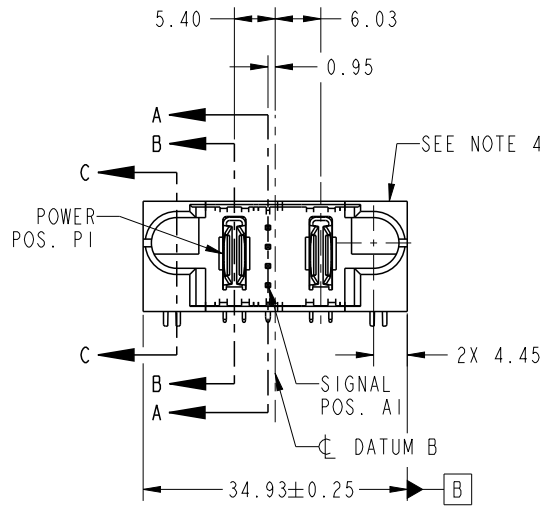


PRODUCT NO.	ROWS	POWER		POWER		
		E1	P1	P1	P2	E2
51939-620-- NOTE 3	D C B A					



CODE	DIM "M" MATING LENGTH	CONTACT TYPE
U	[6.86]	SIGNAL
T	[6.86]	SIGNAL
S	[6.86]	SIGNAL
R	[6.86]	SIGNAL
PA	[N/A]	POWER
HA	[N/A]	HOLD-DOWN

spec ref	See Notes		
tolerance std	TOLERANCES UNLESS OTHERWISE SPECIFIED		
See Notes	0.X	±0.5	
	0.XX	±0.25	
	0.XXX	±0.1	
surface	linear	0°	±2°
	angular	0°	±2°

dr	Julia Wang	2011/08/22
eng	Julia Wang	2011/10/09
chr	-	-
appr	Pei-Ming Zheng	2011/10/10

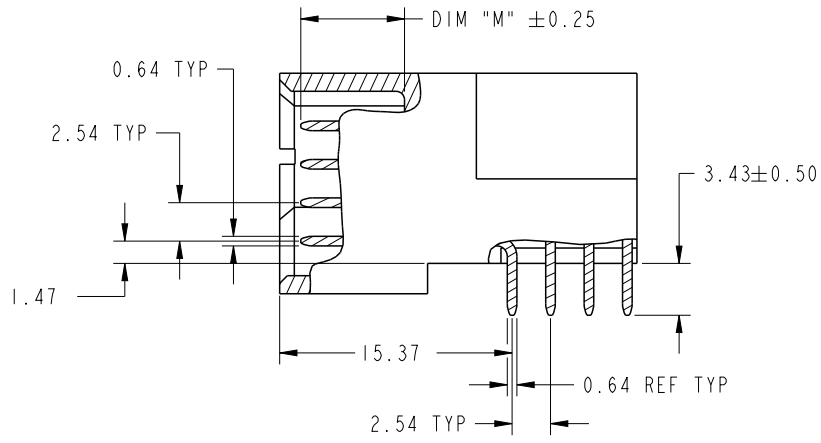
projection	
size	MM
product family	PwrBlade

scale	A4
rel level	Released

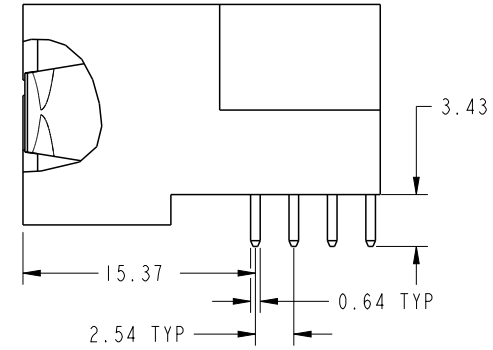
	title	IP + 4S + IP	rev	A
www.fci.com	cat. no.	-	Product - Customer Drw	sheet 1 of 4



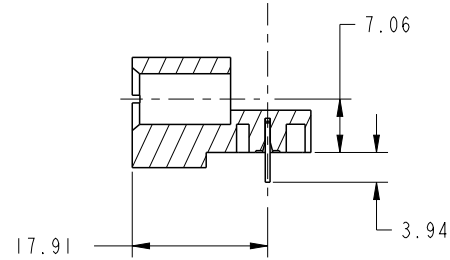
Copyright FCI.



BROKEN-OUT SECTION A-A
SCALE 2:1

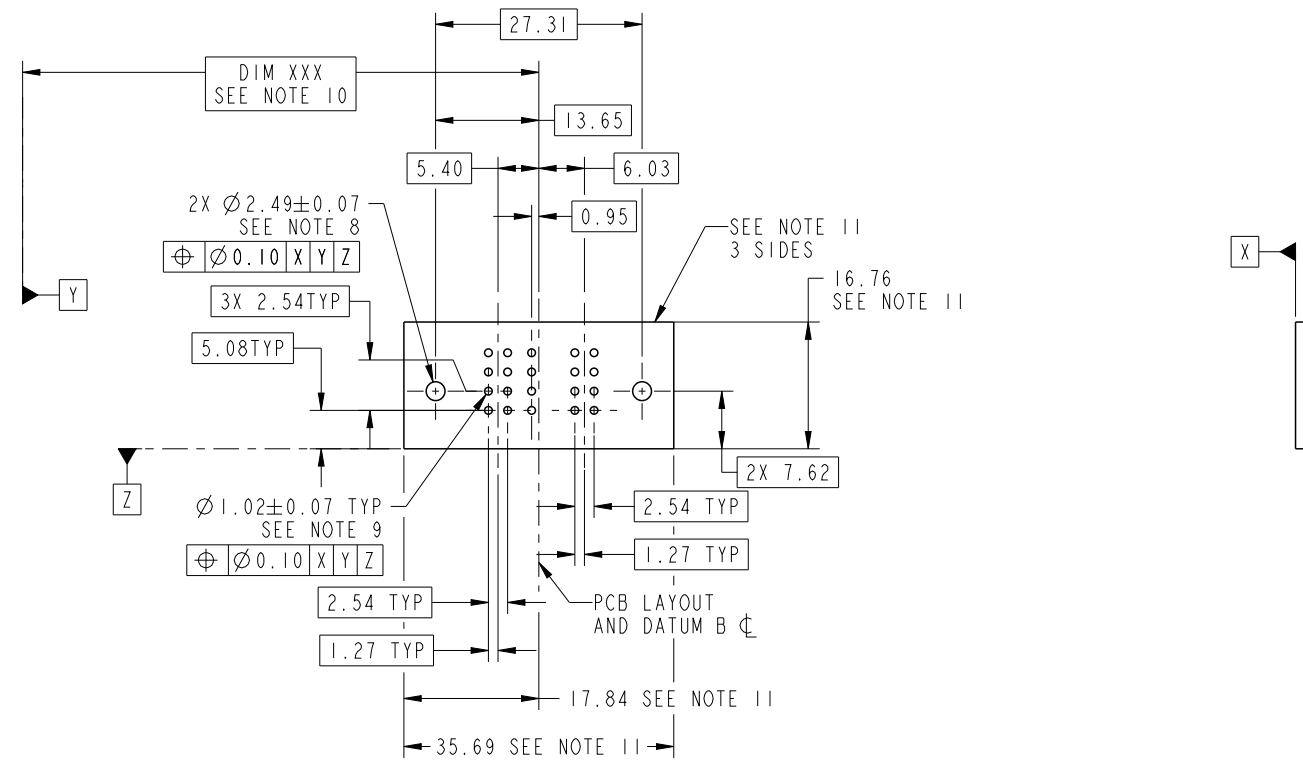


BROKEN-OUT SECTION B-B
SCALE 2:1



SECTION C-C

dr	Julia Wang	2011/08/22	projection 	MM 	size	A4	scale	1:1
eng	Julia Wang	2011/10/09			ecn no	-		
chr	-	-			rel level	Released		
appr	Pei-Ming Zheng	2011/10/10	product family	PwrBlade	rev	A		
		title	IP + 4S + IP		dwg no	51939-620		
		cat. no.	-		Product - Customer Drw		sheet 2 of 4	
						PDS: Rev :A STATUS:Released Printed: Oct 10, 2011		



RECOMMENDED PCB LAYOUT

dr	Julia Wang	2011/08/22	projection 	MM 	size	A4	scale	1:1
eng	Julia Wang	2011/10/09			ecn no	-		
chr	-	-			rel level	Released		
appr	Pei-Ming Zheng	2011/10/10	product family	PwrBlade	rev	A		
		title		IP + 4S + IP	dwg no		51939-620	rev
www.fci.com		cat. no.		-	Product - Customer Drw		sheet 3 of 4	



Copyright FCI.

NOTES:

1. DIMENSIONS AND TOLERANCES ARE IN ACCORDANCE WITH ASME Y14.5M, 1994 UNLESS OTHERWISE SPECIFIED.

CONNECTOR NOTES:

- 2. HOUSING MATERIAL: UL 94 V-0 GLASS FILLED HIGH-TEMP THERMOPLASTIC
POWER CONTACT MATERIAL: COPPER ALLOY
SIGNAL PIN MATERIAL: COPPER ALLOY
- 3. SEE ITEM 1 & 2 IN PRINT 10064183 FOR PLATING SPEC OF 51939-620 AND 51939-620LF RESPECTIVELY.
- 4. MANUFACTURER'S NAME, DATE CODE AND OPTIONAL P/N TO APPEAR ON THIS SURFACE. THE P/N CAN BE OMITTED IF THERE IS NOT ENOUGH SPACE ON THIS SURFACE.
- 5. PRODUCT SPECIFICATION GS-12-149.
APPLICATION SPECIFICATION BUS-20-067.

6. PACKAGED IN TRAYS.

PCB NOTES:

- 7. ALL HOLE DIAMETERS ARE FINISHED HOLE SIZE.
- 8. MOUNTING HOLES, WHERE APPLICABLE, ARE UNPLATED.
- 9. $\varnothing 1.151 \pm 0.025$ DRILLED HOLES PLATED WITH 0.008 MIN SnPb OR Sn OVER 0.03 TO 0.08 Cu PLATING TO ACHIEVE $\varnothing 1.02 \pm 0.07$ HOLE.
- 10. "DIM XXX" TO BE DETERMINED BY THE CUSTOMER.
- 11. CONNECTOR KEEP-OUT ZONE.



Copyright FCI.

dr	Julia Wang	2011/08/22	projection 	MM 	size	A4	scale	1:1		
eng	Julia Wang	2011/10/09			ecn no	-				
chr	-	-			product family	PwrBlade	rel level	Released		
appr	Pei-Ming Zheng	2011/10/10			title	IP + 4S + IP RIGHT ANGLE SOLDER HEADER	dwg no	51939-620	rev	A
www.fci.com		cat. no.	-	Product - Customer Drw			sheet 4 of 4			