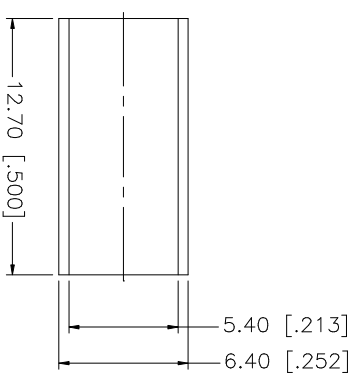
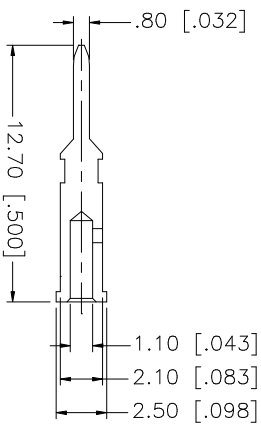
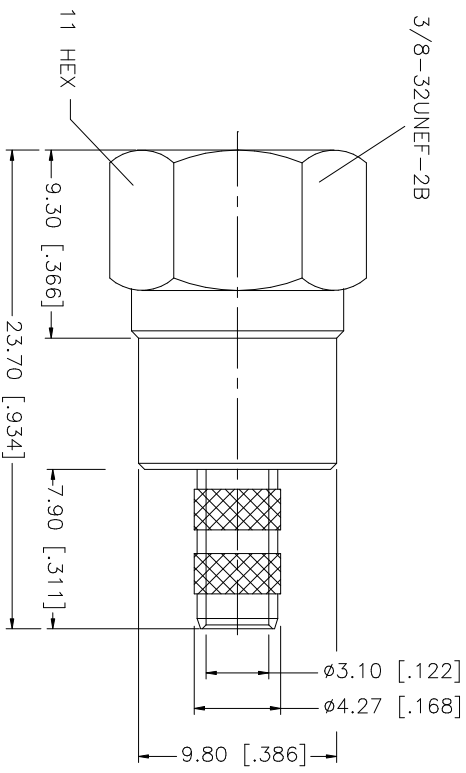
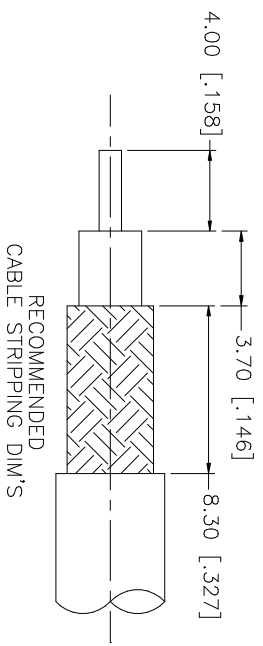


REV.	DATE	DESCRIPTION
NC	04/07/06	INITIAL RELEASE



- NOTES:
1. CRIMPED FERRULE
HEX CRIMP SIZE .213"
 2. CONTACT PIN TO SOLDER OR
.068" HEX CRIMP.

UNLESS OTHERWISE SPECIFIED DIMENSIONS ARE IN INCHES AND FOR CUSTOMER REFERENCE ONLY. TOLERANCES FOR MILLIMETERS ARE:	APPROVALS	DATE	PART DESCRIPTION						
0.5 - 8mm ± 0.20mm	DRAWN G.R.S.	04/07/06	<p style="text-align: center;">Amphenol Connex</p> <p style="text-align: center;">F CRIMP PLUG (FOR RG-58/U, 58C/U CABLE)</p>						
8 - 30mm ± 0.40mm	CHECKED								
30 - 120mm ± 0.50mm	ISSUED								
UNLESS OTHERWISE SPECIFIED TOLERANCES FOR INCHES ARE:	SHEET 1 OF 1								
0.020 - .315 = ± 0.007"	DAO FILE		PART NO.						
.315 - 1.180 = ± 0.015"	C:/222/222197.DWG		222197						
1.180 - 4.724 = ± 0.020"	DO NOT SCALE DRAWING		DWG. NO. 222197.DWG						
DESCRIPTION	MATERIAL	FINISH	QTY	REV.	NC	SIZE	A	SCALE	N/A
1 FERRULE	COPPER	NICKEL	1						
2 CONTACT PIN	BRASS	GOLD	1						
3 INSULATOR	TEFLON	NATURAL	1						
4 BODY	BRASS	NICKEL	1						