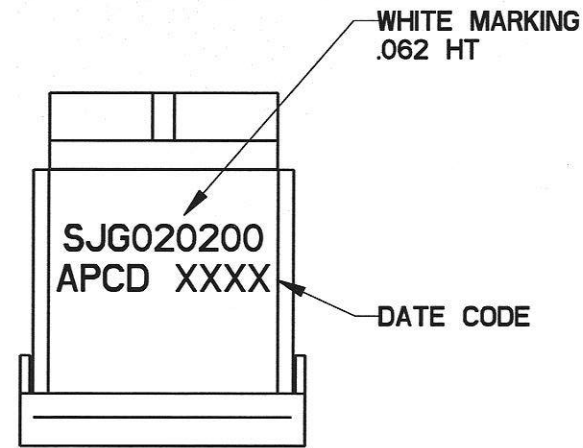
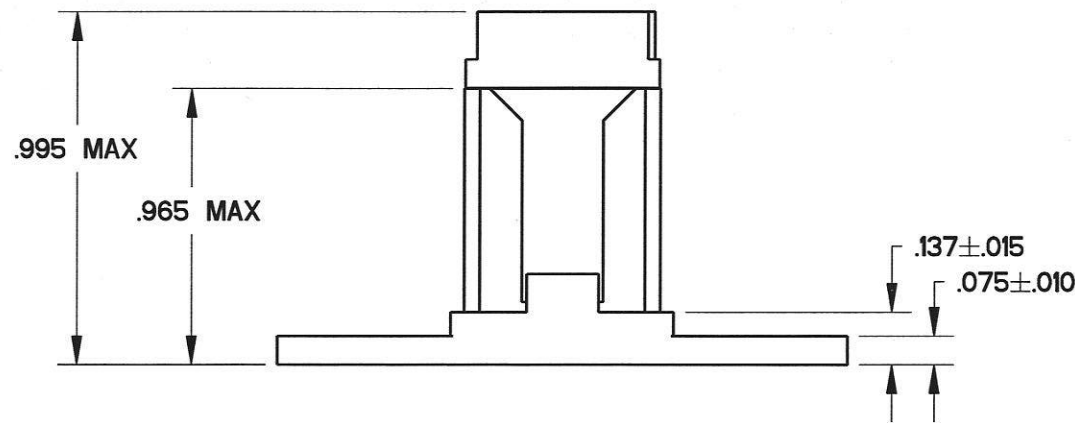
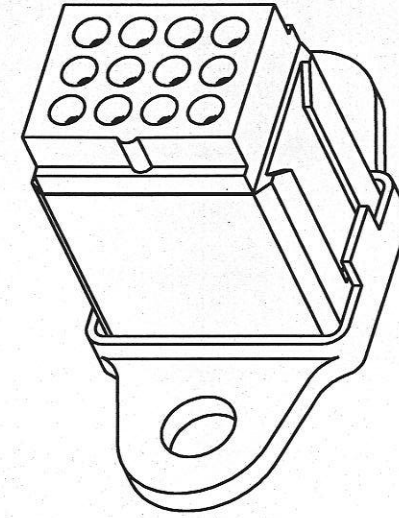
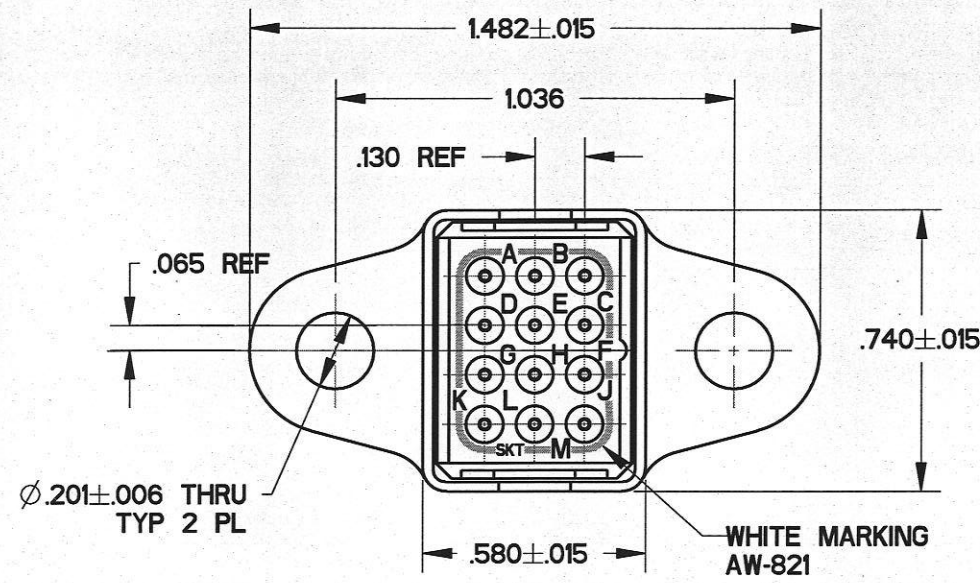


| REV | ECN  | APP'D   |
|-----|------|---------|
| B   | 6024 | 4-12-07 |



- NOTES:
- PART MEETS ALL REQUIREMENTS OF MIL-T-81714/63
  - MATERIALS:  
GROMMET - SILICONE RUBBER PER A-A-59588  
BODY - POLYETHERIMIDE PER ASTM-D-5205  
SHELL/STUD - COPPER ALLOY, TIN PLATED  
CONTACT RETAINER CLIPS - STAINLESS STEEL PER ASTM-A666
  - PART ACCEPTS M39029/22-192 SOCKET CONTACTS. SEE TABLE

| APCD P/N  | SUPPLIED |       | MARKING       |
|-----------|----------|-------|---------------|
|           | SKTS     | PLUGS | APCD PART NO. |
| SJG020200 | 13       | 2     | SJG020200     |
| SJG020201 | -        | -     |               |

|   |   |                       |  |                 |  |                      |              |
|---|---|-----------------------|--|-----------------|--|----------------------|--------------|
| <b>DIMENSIONS</b><br>ANSI Y14.5M<br>UNITS: INCHES<br>Pro/E FILE | <b>TOLERANCES</b><br>.XX ±0.01<br>.XXX ±0.005<br>ANGLES ±2.0°   | <b>PROJECTION</b><br> | <b>Amphenol Pcd</b><br>SPECIFICATION DRAWING |                 | <b>TITLE</b><br>SJG, SIZE 20<br>GROUNDING MODULE<br>TIN PLATED |                      |              |
|   |   |                       | DRWN<br>R. SWAINE 02/15/07                   | SIZE<br>B       |  | DWG NO.<br>SJG020200 | REV<br>B     |
| ORIGINAL<br>  | THIS DOCUMENT CONTAINS PROPRIETARY INFORMATION WHICH IS THE CONFIDENTIAL PROPERTY OF AMPHENOL PCD INC., PEABODY, MA |                       | ENGR<br>4/12/07                              | APPD<br>4-12-07 | CODE: 58982  | SCALE: 2:1           | SHEET 1 OF 1 |

SJG020200

SJG020200