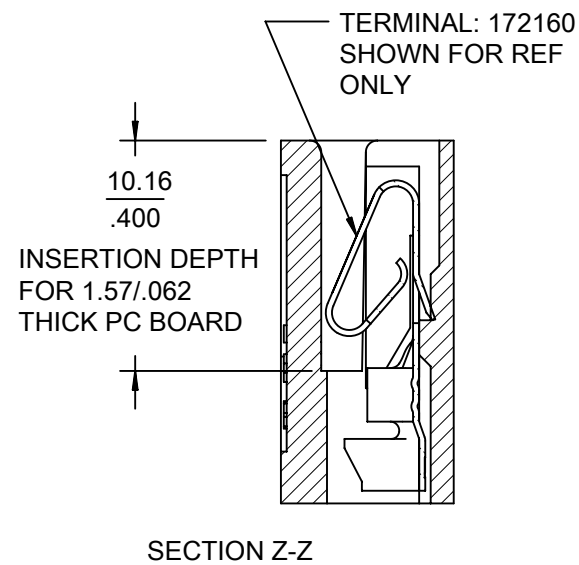
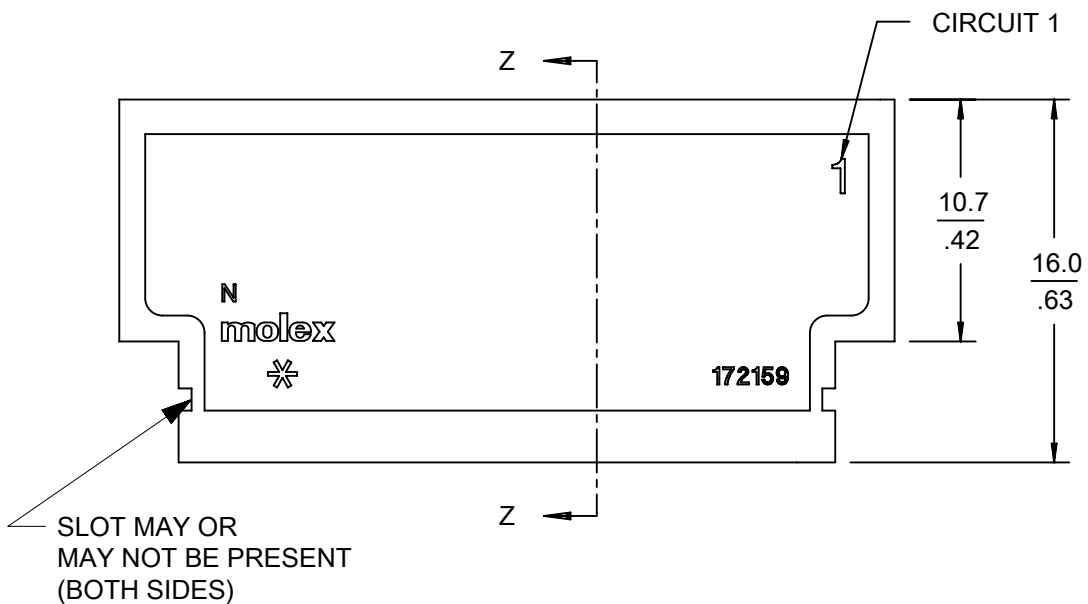
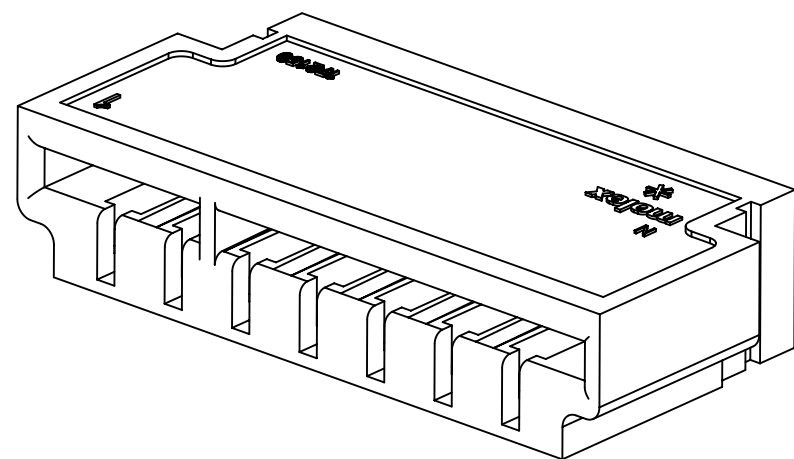


- NOTES:
1. MATERIAL: NYLON 6, 94V-2, GLOW WIRE CAPABLE PER IEC 60335-1, COLOR: BLACK
  2. FINISH: N/A
  3. PRODUCT SPECIFICATION: PS-172160-0001
  4. PACKAGING SPECIFICATION: PK-172159-0001
  5. COSMETIC SPECIFICATION: PS-45499-002 CLASS B
  6. HOUSING ACCEPTS TERMINAL: 172160
  7. DIMENSION TO BE 2.54-2.79 / .100-.110 TO POLARIZE HOUSING AND PCB.



CKTS	MATERIAL NO	POL RIB	DIM A	DIM B	DIM C	DIM E
03	172879-0003	N/A	$\frac{15.71}{.619}$	$\frac{20.24}{.797}$	$\frac{16.07}{.633}$	$\frac{7.92}{.312}$
04	172879-0004	N/A	$\frac{19.71}{.776}$	$\frac{22.30}{.878}$	$\frac{20.06}{.790}$	$\frac{11.89}{.468}$
05	172879-0205	2-3	$\frac{23.50}{.925}$	$\frac{26.26}{1.034}$	$\frac{24.06}{.947}$	$\frac{15.85}{.624}$
06	172879-0206	2-3	$\frac{27.49}{1.082}$	$\frac{30.23}{1.190}$	$\frac{28.05}{1.104}$	$\frac{19.81}{.780}$
07	172879-0207	2-3	$\frac{31.43}{1.238}$	$\frac{34.19}{1.346}$	$\frac{32.04}{1.262}$	$\frac{23.77}{.936}$
08	172879-0208	3-4	$\frac{35.43}{1.395}$	$\frac{38.15}{1.502}$	$\frac{36.03}{1.419}$	$\frac{27.74}{1.092}$
09	172879-0209	3-4, 7-8	$\frac{39.42}{1.552}$	$\frac{42.11}{1.658}$	$\frac{40.03}{1.576}$	$\frac{31.70}{1.248}$
10	172879-0210	3-4, 6-7	$\frac{43.41}{1.709}$	$\frac{46.08}{1.814}$	$\frac{44.02}{1.733}$	$\frac{35.66}{1.404}$
11	172879-0211	3-4, 7-8	$\frac{47.35}{1.864}$	$\frac{50.04}{1.970}$	$\frac{48.01}{1.890}$	$\frac{39.62}{1.560}$
12	172879-0212	3-4, 8-9	$\frac{51.35}{2.022}$	$\frac{54.00}{2.126}$	$\frac{52.01}{2.048}$	$\frac{43.59}{1.716}$



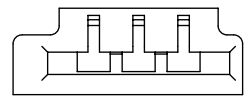
THIS DRAWING CONTAINS INFORMATION THAT IS PROPRIETARY TO MOLEX ELECTRONIC TECHNOLOGIES, LLC AND SHOULD NOT BE USED WITHOUT WRITTEN PERMISSION

<b>QUALITY SYMBOLS</b> ▽ = 0 ▽ = 0 ▽ = 0 ▼ = 0 ▽ = 0 ⊠ = 0 ■ = 0 ▽ = 0	<b>ADD SLOT NOTE</b> EC NO: 101899 DRWN: MKIPPER CHK'D: FSMITH APPR: FSMITH	<b>GENERAL TOLERANCES (UNLESS SPECIFIED)</b> ANGULAR TOL ± ° 4 PLACES ± 3 PLACES ± 2 PLACES ± 0.25 1 PLACE ± 0.38 0 PLACES ± DRAFT WHERE APPLICABLE MUST REMAIN WITHIN DIMENSIONS	<b>DIMENSION UNITS</b> MM/IN		<b>SCALE</b> 3:1				
			DRWN BY: MKIPPER DATE: 2015/02/10		CHK'D BY: JBELL DATE: 2015/02/10			EGDEMATE 3.96/.156 GLOW WIRE HOUSING WITHOUT HOOKS	
			APPR BY: FSMITH DATE: 2015/06/15		DRAWING SIZE: B THIRD ANGLE PROJECTION				PRODUCT CUSTOMER DRAWING
			SERIES: 172879		MATERIAL NUMBER: SEE CHART			CUSTOMER: GENERAL MARKET	
DOCUMENT NUMBER: SD-172879-0000				DOC TYPE: PSD		DOC PART: 000		SHEET NUMBER: 1 OF 2	

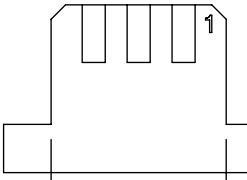
MODEL: TM-172159-0000

RELEASE STATUS: P1 | RELEASE DATE: 2016/02/05 22:23:33

172879-0003

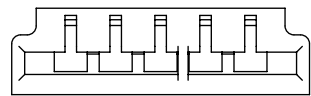


3 2 1 CIRCUITS

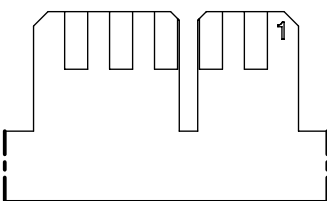


4.19  
.165  
MIN. THIS SIDE  
ONLY ON 3 CKT  
2.79  
.110  
MAX.  
3 CKT ONLY  
SEE NOTE 7

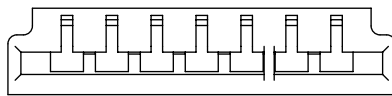
172879-0205



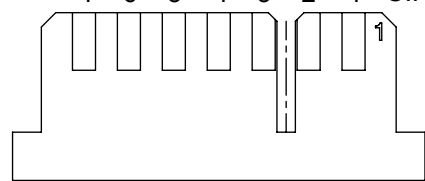
5 4 3 2 1 CIRCUITS



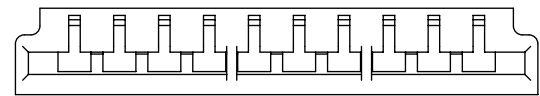
172879-0207



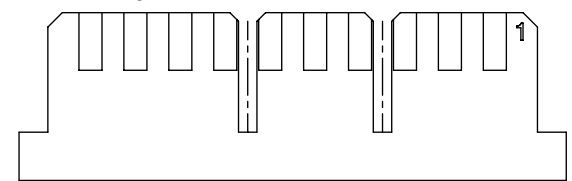
7 6 5 4 3 2 1 CIRCUITS



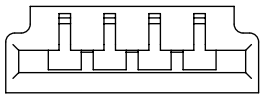
172879-0210



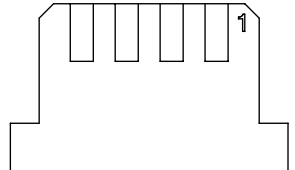
10 9 8 7 6 5 4 3 2 1 CIRCUITS



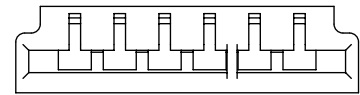
172879-0004



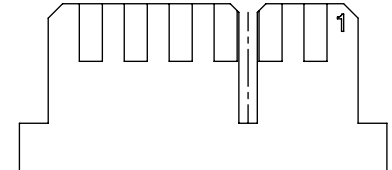
4 3 2 1 CIRCUITS



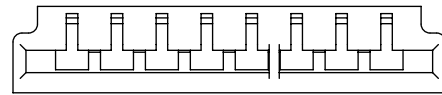
172879-0206



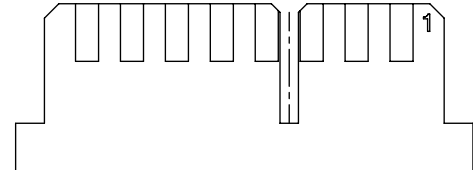
6 5 4 3 2 1 CIRCUITS



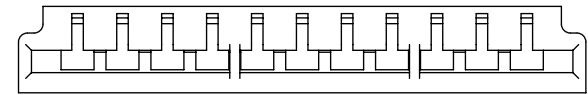
172879-0208



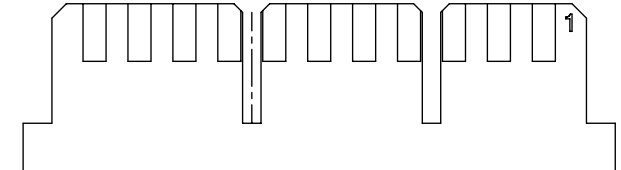
8 7 6 5 4 3 2 1 CIRCUITS



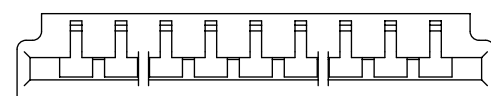
172879-0211



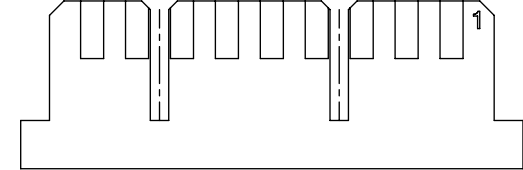
11 10 9 8 7 6 5 4 3 2 1 CIRCUITS



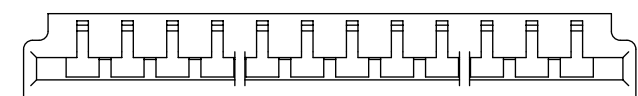
172879-0209



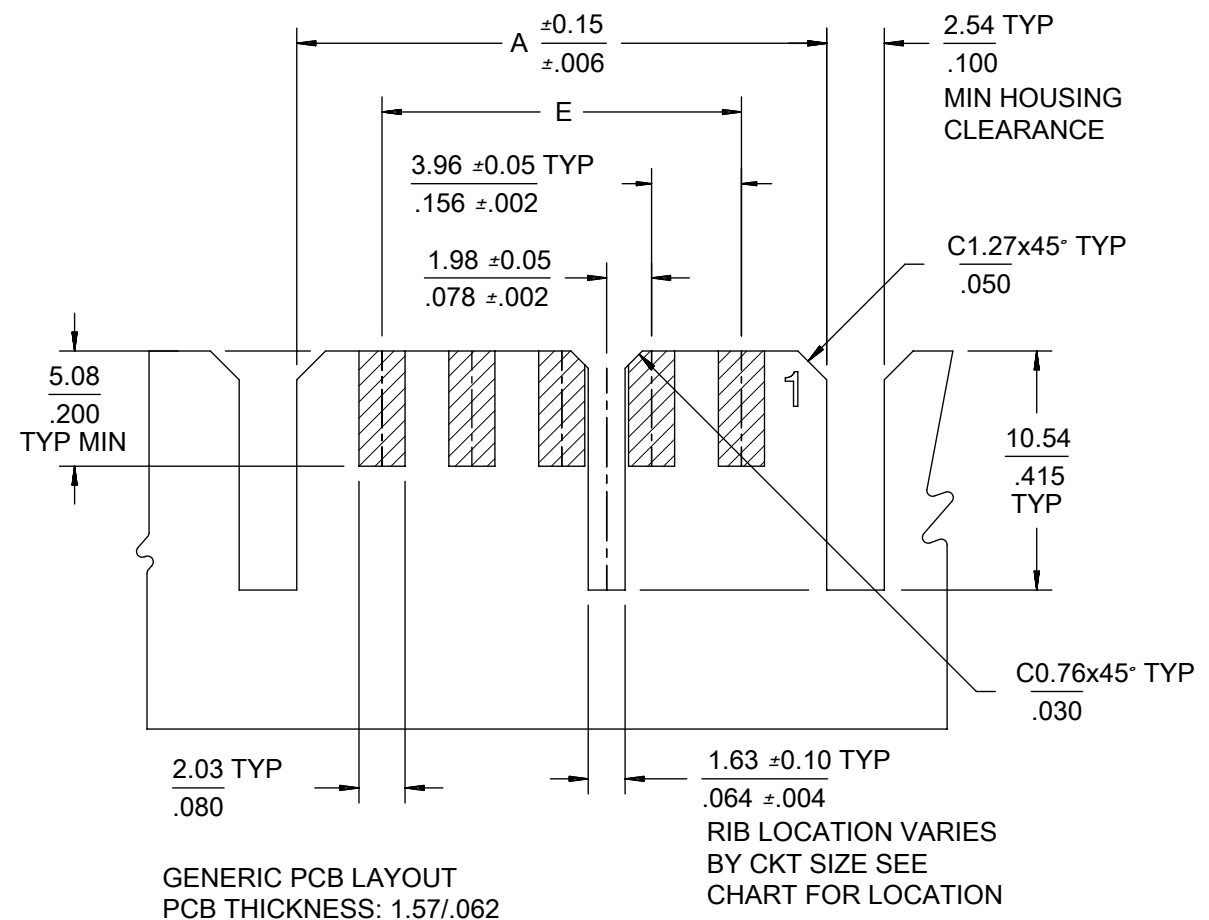
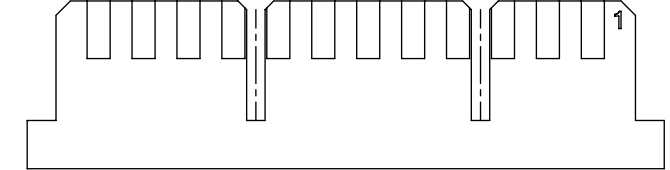
9 8 7 6 5 4 3 2 1 CIRCUITS



172879-0212



12 11 10 9 8 7 6 5 4 3 2 1 CIRCUITS



THIS DRAWING CONTAINS INFORMATION THAT IS PROPRIETARY TO MOLEX ELECTRONIC TECHNOLOGIES, LLC AND SHOULD NOT BE USED WITHOUT WRITTEN PERMISSION

QUALITY SYMBOLS	ADD SLOT NOTE	EC NO: 101899 DRWN: MKIPPER CHKD: FSMITH APPR: FSMITH	GENERAL TOLERANCES (UNLESS SPECIFIED)	DIMENSION UNITS	SCALE	<p>EGDEMATE 3.96/.156 GLOW WIRE HOUSING WITHOUT HOOKS</p> <p>PRODUCT CUSTOMER DRAWING</p>		
			ANGULAR TOL ±	MM/IN	1.5:1			
4 PLACES ±	DRWN BY	DATE	MKIPPER	2015/02/10				
3 PLACES ±	CHK'D BY	DATE	JBELL	2015/02/10				
2 PLACES ± 0.25	APPR BY	DATE	FSMITH	2015/06/15	SERIES	MATERIAL NUMBER	CUSTOMER	
1 PLACE ± 0.38	DRAFT WHERE APPLICABLE MUST REMAIN WITHIN DIMENSIONS	DRAWING SIZE	THIRD ANGLE PROJECTION	B	172879	SEE CHART	GENERAL MARKET	
0 PLACES ±					DOCUMENT NUMBER	DOC TYPE	DOC PART	SHEET NUMBER
					SD-172879-0000	PSD	000	2 OF 2