



LAYOUT SHOWN AS EXAMPLE

Keying Shown as example

**CHARACTERISTICS**

- Standard : Based on MIL-DTL-38999 Series III
- Shell Material : Stainless Steel
- Shell Plating : Passivated
- Insulator : Thermoplastic
- Contacts : Copper Alloy
- Seals & Grommet : Silicon Elastomer
- Contact Plating : Gold over copper Alloy 0.8µm minimum
- Durability : 500 Mating cycles
- Delivered without Souriau contacts
- Temperature Range : -65°C to +200°C
- Salt Spray : 500 hours
- Mass : 36.58 g ± 10%

| Connector dimension |               |
|---------------------|---------------|
| Dim                 | Nominal       |
| P                   | 3.25±0.2      |
| PP                  | 4.93±0.2      |
| R1                  | 23.01         |
| R2                  | 20.62         |
| S                   | 28.6±0.3      |
| V                   | 20.83+0/-1.25 |
| W                   | 2.1/2.5       |
| Z                   | 31.5 Max      |
| VV THREAD           | M18x1-6g      |

SOURIAU shall not be liable for any non-conformity or damage due to a use of the Products which does not comply with the Specifications issued by either of the Parties or by a third party (professional recommendation, technical notice.)

|         |                             |
|---------|-----------------------------|
| Country | Jurisdiction & Control List |
| FR      | Not Listed                  |

**PN: 8D013K98PEL**

|                |   |                                |   |
|----------------|---|--------------------------------|---|
| A              | 15-10-2016                                  | First Release                  |   |
| ISS            | DATE  | Latest modification - by       | MOD N°  |
| Designed By:   |   | Date:                          | <b>CUSTOMER DRAWING</b>   |
| <b>TITLE</b>   | <b>Stainless Steel Receptacle 8D series</b> |                                |   |
| SCALE          |   | General linear Tolerances: ±-- | NPRDS / PROJECT<br><b>859</b>   |
| NA             |   |                                | This document is the property of SOURIAU it must not be reproduced or communicated without permission |
| <b>SOURIAU</b> | <b>WWW.SOURIAU.COM</b>                      |                                |   |
| FORMAT         | <b>SOURIAU DRG N° 8D013K98PEL-C</b>         |                                | SHEET<br>1/2  |

|                |                          |   |   |    |   |    |   |   |   |                                 |
|----------------|--------------------------|---|---|----|---|----|---|---|---|---------------------------------|
| BASIC SERIES:  | 8D                       | 0 | - | 13 | K | 98 | P | E | L | Delivered W/O Contacts          |
| SHELL TYPE :   | Square Flange Receptacle |   |   |    |   |    |   |   |   | ORIENTATION : E                 |
| CONTACT TYPE : | Standard Crimp Contact   |   |   |    |   |    |   |   |   | CONTACT TYPE : PIN(500 Matings) |
| SHELL SIZE :   | 13                       |   |   |    |   |    |   |   |   | CONTACT LAYOUT : 13-98          |
| PLATING :      | K = Passivated           |   |   |    |   |    |   |   |   |                                 |

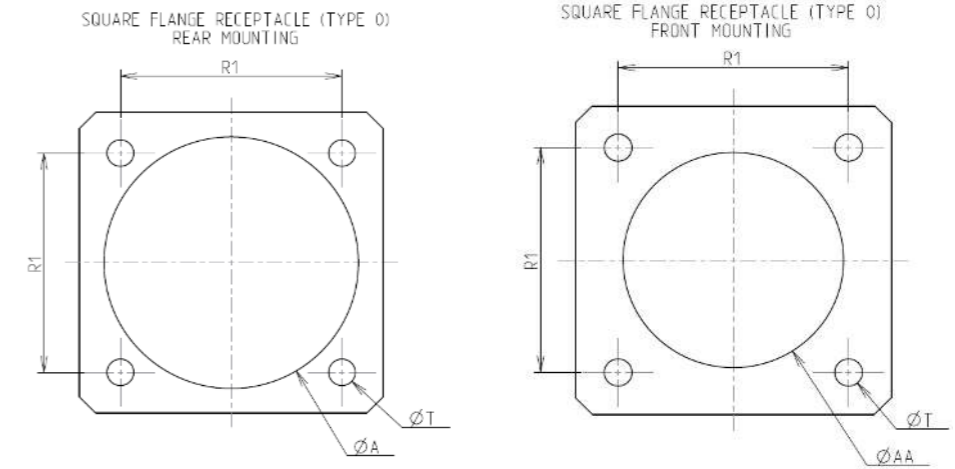
Contact Layout



| Contacts<br>(Insert arrangement 13-98) |             |             |
|--|-------------|-------------|
| Contact position ID                    | Location    |             |
|  | X-axis (mm) | Y-axis (mm) |
| A                                      | +000 (0.00) | +195 (4.95) |
| B                                      | +125 (3.18) | +150 (3.81) |
| C                                      | +193 (4.90) | +030 (0.76) |
| D                                      | -104 (4.17) | -105 (2.67) |
| E                                      | +000 (0.00) | -135 (3.43) |
| F                                      | -164 (4.17) | -105 (2.67) |
| G                                      | -193 (4.90) | +030 (0.76) |
| H                                      | -125 (3.18) | +150 (3.81) |
| J                                      | +065 (1.65) | -015 (0.38) |
| K                                      | -065 (1.65) | -015 (0.38) |

| Shell size | Arrangement no. | Number of contacts | Size contacts | Service rating | Contact location | Supersedes |
|------------|-----------------|--------------------|---------------|----------------|------------------|------------|
| 13         | -98             | 10                 | 20            | I              | All              | MS20051-98 |

Panel Cutout



| Dim | Nominal    |
|-----|------------|
| ØA  | 23.42 min  |
| ØAA | 19.05 min  |
| R1  | 23.01      |
| ØT  | 3.25 ±0.13 |

SOURIAU shall not be liable for any non-conformity or damage due to a use of the Products which does not comply with the Specifications issued by either of the Parties or by a third party (professional recommendation, technical notice.)

| Country | Jurisdiction & Control List |
|---------|-----------------------------|
| FR      | Not Listed                  |

PN: 8D013K98PEL

|                |   |                            |   |
|----------------|---|----------------------------|---|
| A              | 15-10-2016                                  | First Release              |   |
| ISS            | DATE  | Latest modification - by   | MOD N°  |
| Designed By:   |   | Date:                      | <b>CUSTOMER DRAWING</b>   |
| <b>TITLE</b>   | <b>Stainless Steel Receptacle 8D series</b> |                            |   |
| SCALE          |   | General linear Tolerances: | NPRDS / PROJECT   |
| NA             |   | ±--                        | <b>859</b>  |
| <b>SOURIAU</b> | <b>WWW.SOURIAU.COM</b>                      |                            | This document is the property of SOURIAU it must not be reproduced or communicated without permission |
| FORMAT         | <b>SOURIAU DRG N° 8D013K98PEL-C</b>         |                            | SHEET 2/2   |