

130550 ✓ ACTIVE

SOLISTRAND

TE Internal #: 130550

Ring Terminals & Spade Terminals, Ring Tongue, 8 AWG Wire Size,
8 mm² Wire Size, Stud Size M6, Stud Diameter 6.1 mm [.24 in]

[View on TE.com >](#)



Terminals & Splices > Ring Terminals & Spade Terminals



Ring & Spade Terminal Type: **Ring Tongue**

Wire Size: **8 mm²**

Stud Size: **M6**

Stud Diameter: **6.1 mm [.24 in]**

Features

Product Type Features

| | |
|--|------------------------|
| Stud Size | M6 |
| Sealable | No |
| Wire Insulation Support Retention Type | Non-Insulation Support |

Contact Features

| | |
|----------------------------|-------------|
| Ring & Spade Terminal Type | Ring Tongue |
| Barrel Type | Closed |
| Terminal Orientation | Straight |
| Terminal Plating Material | Tin |

Mechanical Attachment

| | |
|-------------------------|---------|
| Wire Insulation Support | Without |
|-------------------------|---------|

Dimensions

| | |
|------------------|-------------------|
| Wire Size | 8 mm ² |
| Stud Diameter | 6.1 mm [.24 in] |
| Tongue Thickness | .79 mm [.031 in] |
| Product Length | 23.82 mm [.94 in] |



| | |
|------------------------|------------------|
| Barrel Inside Diameter | 4.37 mm[.172 in] |
|------------------------|------------------|

Usage Conditions

| | |
|-----------------------------|----------------|
| Insulation Option | Uninsulated |
| Operating Temperature Range | 170 °C[338 °F] |

Operation/Application

| | |
|---------------------------------------|--------|
| Compatible With Wire Base Material | Copper |
| Compatible With Wire Plating Material | Tin |

Industry Standards

| | |
|-------------------------------|----|
| Government Qualified Terminal | No |
|-------------------------------|----|

Packaging Features

| | |
|--------------------|-----|
| Packaging Quantity | 500 |
| Packaging Method | Box |

Product Compliance

[For compliance documentation, visit the product page on TE.com>](#)

| | |
|---|---|
| EU RoHS Directive 2011/65/EU | Compliant |
| EU ELV Directive 2000/53/EC | Compliant |
| China RoHS 2 Directive MIIT Order No 32, 2016 | No Restricted Materials Above Threshold |
| EU REACH Regulation (EC) No. 1907/2006 | Current ECHA Candidate List: JUNE 2023 (235) Candidate List Declared Against: JUNE 2023 (235) Does not contain REACH SVHC |
| Halogen Content | Low Halogen - Br, Cl, F, I < 900 ppm per homogenous material. Also BFR/CFR/PVC Free |
| Solder Process Capability | Not applicable for solder process capability |


Product Compliance Disclaimer

This information is provided based on reasonable inquiry of our suppliers and represents our current actual knowledge based on the information they provided. This information is subject to change. The part numbers that TE has identified as EU RoHS compliant have a maximum concentration of 0.1% by weight in homogenous materials for lead, hexavalent chromium, mercury, PBB, PBDE, DBP, BBP, DEHP, DIBP, and 0.01% for cadmium, or qualify for an exemption to these limits as defined in the Annexes of Directive 2011/65/EU (RoHS2). Finished electrical and electronic equipment products will be CE marked as required by Directive 2011/65/EU. Components may not be CE marked. Additionally, the part numbers that TE has identified as EU ELV compliant have a maximum concentration of 0.1% by weight in homogenous materials for lead, hexavalent chromium, and mercury, and 0.01% for cadmium, or qualify for an exemption to these limits as defined in the Annexes of Directive 2000/53/EC (ELV). Regarding the REACH Regulation, the information TE provides on SVHC in articles for this part number is based on the latest European Chemicals Agency (ECHA) 'Guidance on requirements for substances in articles' posted at this URL: <https://echa.europa.eu/guidance-documents/guidance-on-reach>

Compatible Parts



TE Part # 601075
BANTAM ROTA-CRIMP TOOL



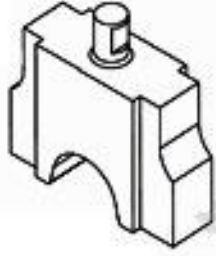
TE Part # 69355
HHHT SOLIS SOLIS FLAG STRATO 8 ASSY




TE Part # 1490413-1
HYP10 SOLIS 8AWG NEST



TE Part # 1490414-1
HYP10 SOLIS 8AWG INDENTER



TE Part # 1901001-1
NEST #8



TE Part # 48355
HYP8 SOLIS 8AWG INDENTER



TE Part # 69216
HYP8/10 SOLIS 8AWG DIE SET



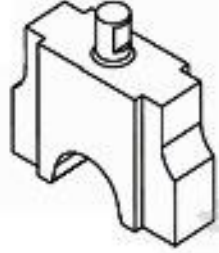
TE Part # 48126
HYP8 SOLIS 8AWG NEST



TE Part # 600850
ROTO-CRIMP TOOL (ASI)



TE Part # 69339
HHHT SOLIS SOLIS FLAG STRATO 8 ASSY

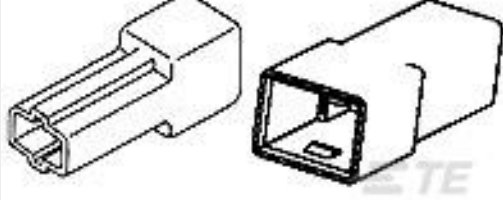


TE Part # 1901002-2
INDENTER, SOLISTRAND



TE Part # 49956
PNEUMATIC SOLIS STRATO 8 HEAD

Customers Also Bought



TE Part #2-180916-0
FF 250 TAB HSG 1P NYLON NAT



TE Part #1776112-4
4P,2.60MM,SIDE ENTRY,HIGH TMP



TE Part #1534159-1
TAB HOUSING 2.8 4P,RD



TE Part #293011-1
5 POS. FASTIN-FASTON CONN. TAB HOUSING R



TE Part #5053124011
RNF-100-1/4-6-SP



TE Part #2-1740918-3
AMP DUOPLUG2.5 MK II HOUSING
W. PCB LOCK



TE Part #2178661-4
MULTIFIT MK2 ASSY4P,AR



TE Part #3-1534799-1
AMP DUOPLUG MK2 CONNECTOR
11P SELECTIVE



TE Part #5-1534798-6
AMP DUOPLUG MK II CON. 3-20 POS.
SELECTIV

Documents

Product Drawings

SOLIS 8 R M6

English

CAD Files

3D PDF

3D

Customer View Model

[ENG_CVM_CVM_130550_C.2d_dxf.zip](#)

English

Customer View Model

[ENG_CVM_CVM_130550_C.3d_igs.zip](#)

English

Customer View Model

[ENG_CVM_CVM_130550_C.3d_stp.zip](#)

English

Customer View Model

[ENG_CVM_130550_A2.3d_igs.zip](#)

English

Customer View Model

[ENG_CVM_130550_A2.3d_stp.zip](#)

English

Customer View Model

[ENG_CVM_130550_A2.2d_dxf.zip](#)

English

3D PDF

English



By downloading the CAD file I accept and agree to the [Terms and Conditions](#) of use.

Product Environmental Compliance

[MD_130550_012320172117_dmtec](#)

English

[MD_130550_012320172117_dmtec](#)

English

Agency Approvals

[UL Report](#)

English

[UL Report](#)

English