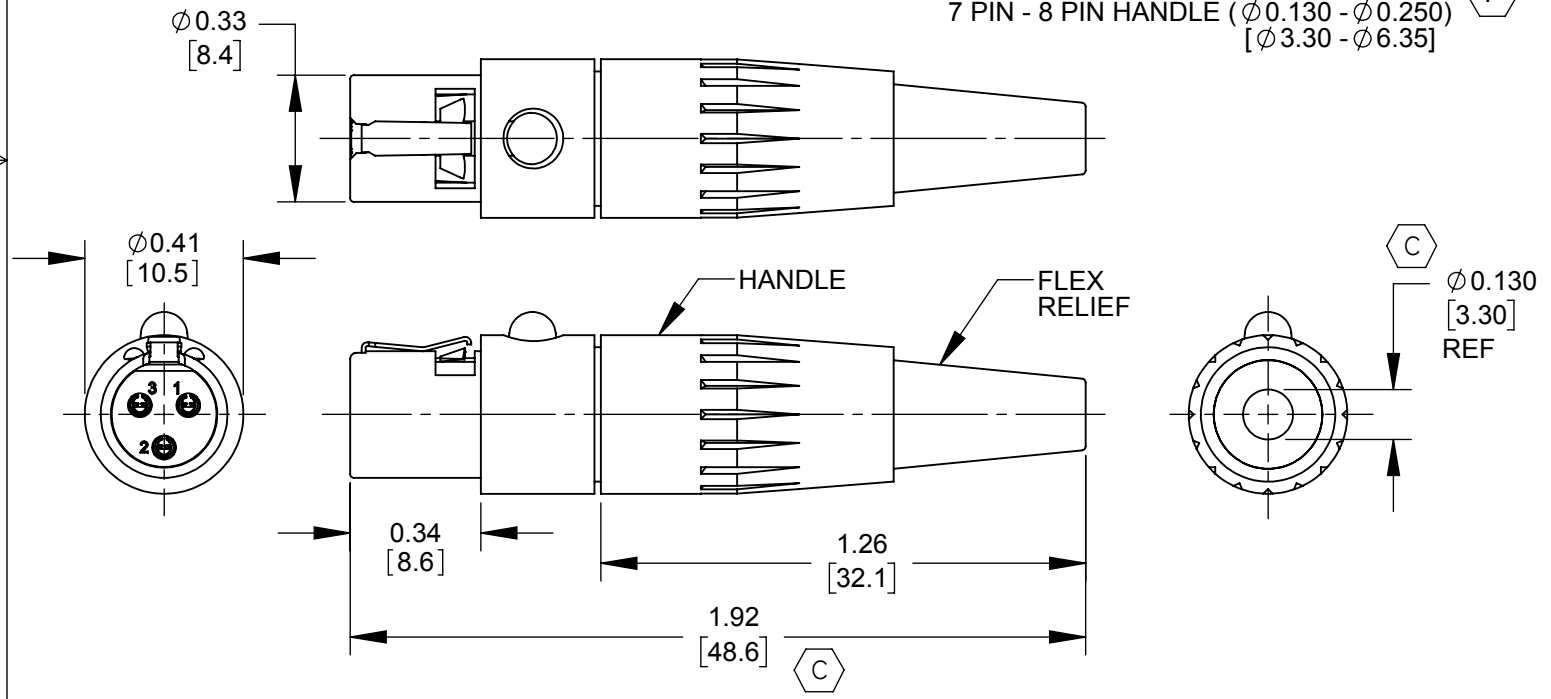
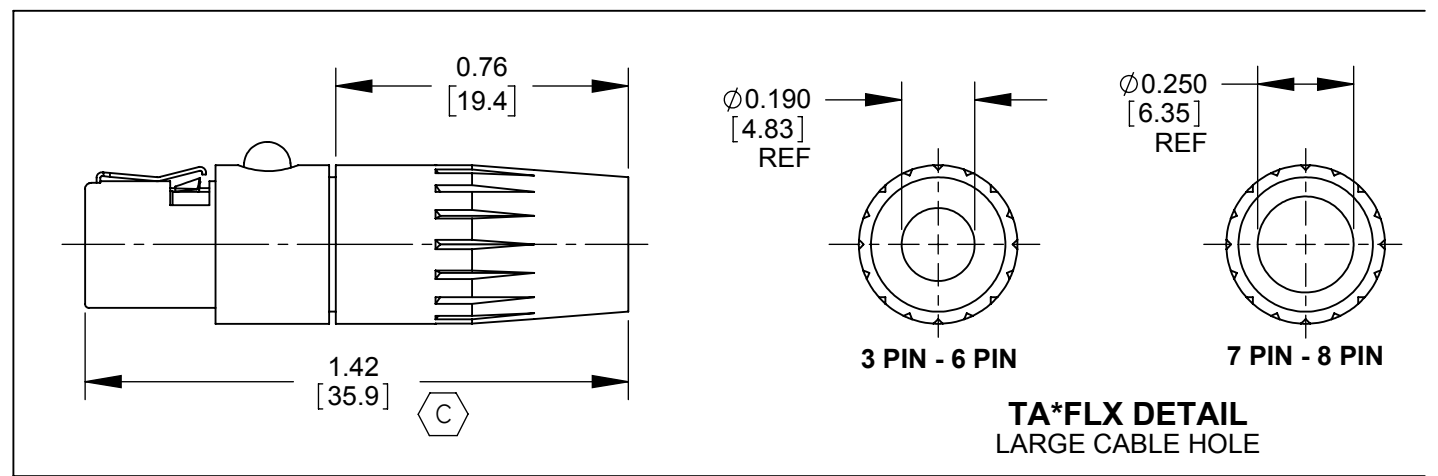


AS VIEWED FROM FRONT MATING VIEW



TA3FX SHOWN



TA*FLX DETAIL
LARGE CABLE HOLE

CUSTOMER DRAWING

- NOTES:
- MATERIALS:
 HOUSING - COPPER ALLOY, NICKEL PLATED OR BLACK CHROME PLATED
 LATCH - SPECIAL COPPER ALLOY, NICKEL PLATED
 LATCH BUTTON - THERMOPLASTIC, BLACK
 CONTACTS - COPPER ALLOY, SILVER PLATED OR GOLD PLATED
 INSERT - THERMOPLASTIC, DARK BROWN OR BLACK
 INSULATOR - THERMOPLASTIC, DARK BROWN
 CABLE CLAMP - STEEL, ELECTRO-TIN PLATED
 HANDLE - THERMOPLASTIC, BLACK, WHITE, OR NICKEL PLATED
 FLEX RELIEF - THERMOPLASTIC, BLACK OR WHITE
 - THIS PRODUCT IS RoHS COMPLIANT.

REV	ECO NUMBER	DATE	BY	APVD
G	27805	11-9-16	TO	TJK
F	27788	10-13-16	PC	TJK
E	27486	04-20-15	PC	TJK
D	26916	03-06-12	PC	TJK
C	25955	09-22-08	JEB	TJK
H	27971	12/13/17	PC	TJK
REVISIONS				

UNLESS OTHERWISE SPECIFIED

1. ALL DIMENSIONS IN INCHES [mm]
 - TWO PLACE DECIMALS ± 0.02 [0.5]
 - THREE PLACE DECIMALS ± 0.005 [0.13]

DO NOT SCALE DRAWING

THIS DRAWING DESCRIBES A DESIGN CONSIDERED PROPRIETARY IN NATURE, DEVELOPED AND MANUFACTURED BY SWITCHCRAFT INC. AND IS RELEASED ON A CONFIDENTIAL BASIS FOR IDENTIFICATION PURPOSES ONLY.									
SIZE	WIDTH	MULT	LBS/M	TEMPER					
FINISH SPEC No.					MATERIAL SPEC No.				
FIRST USED ON			SCALE 2:1		Switchcraft®				
DATE DRAWN	BY	CHKD	APVD						
11-02-10	JEB	JEB	TJK	11-02-10	03-08-11	SHEET 1 OF 1			REV H
NAME TINI QG FEMALE STRAIGHT CORD PLUG, RoHS					PART No. TA_FX SERIES				