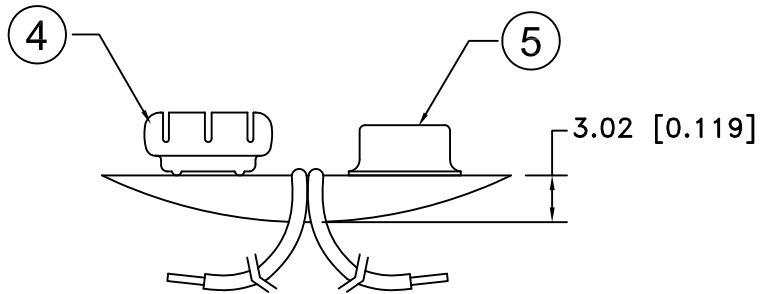
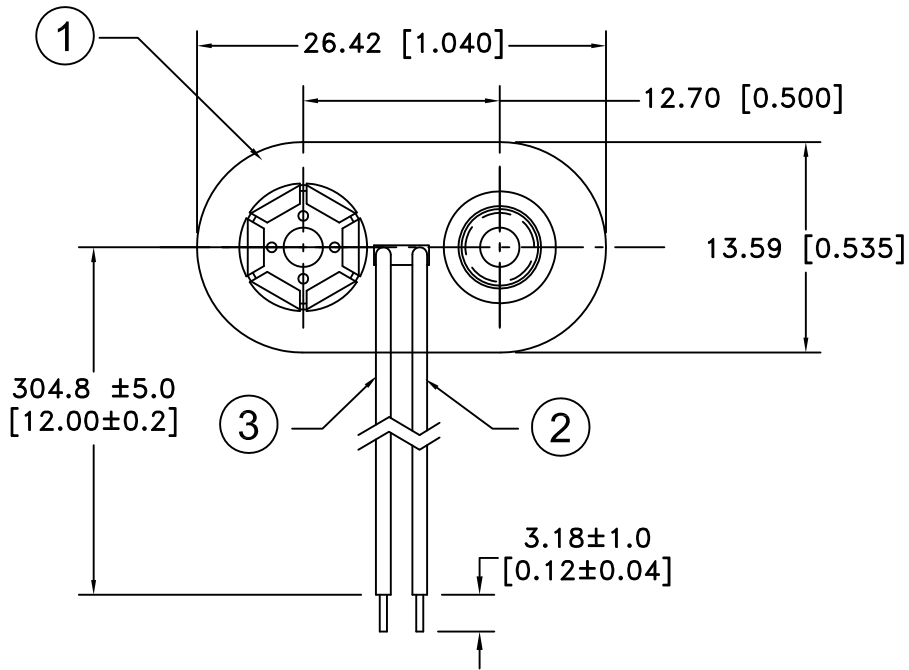


Date	SYM	REVISION RECORD	AUTH	DR.	CK.
4/22/06	A	Added "ROHS COMPLIANT"	T.B.	B.S.	
10/03/14	B	UPDATED TO ROHS 2 COMPLIANT	T.B.	B.S.	



ROHS 2 COMPLIANT

NO.	PART NAME	MATERIAL	QTY.	Tolerance (Except as noted)	MPD Memory Protection Devices, Inc		
					200 Broad Hollow Road, Farmingdale, New York 11735		
1	COVER	PVC COVER OVER FIBERBOARD	1	decimal ±.5 (.020)	Scale	Drawn By B.S.	
2	BLACK WIRE(-)	24 AWG OR 26 AWG, UL-1007, CSA TR-64, 300V, 80°C	1			Approved By T.B.	
3	RED WIRE (+)	24 AWG OR 26 AWG, UL-1007, CSA TR-64, 300V, 80°C	1	Fractional ± .8 (.030)	Date	Title 9 VOLT BATTERY SNAP-T STYLE-12" WIRE LEADS	
4	FEMALE SNAP	BRASS NICKLE PLATED	1				Drawing Number
5	MALE SNAP	BRASS NICKLE PLATED	1				
				Angular ± 3°	10/03/14		