



# Model 3400

## Electronic LCD Counter

**EVALUATION KIT AVAILABLE**

Contact us to request yours



The Model 34 LCD Totalizer/Preset Counter provides a large display with 0.28" [7mm] high characters, in a range of industry-standard sized housings.

The Model 34 counts and displays the number of pulses that appear at its input terminal at a rate of 40 pulses per second (Hz), the input interface handles AC or DC inputs. The Totalizers are available in 5 different housings.

A wide operating voltage, 10-300VDC and 20-300VAC, makes the model 34 versatile for all indoor and outdoor applications. All models are NEMA 4/4X, 12 & IP66 rated when used with the optional gasket and have a polarized lens which assures high visibility in an outdoor environment.

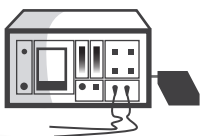
### Key Features

- Totally sealed from moisture and dirt
- AC and DC voltage input in the same unit
- Compact depth
- Fits in existing panel openings
- Always on display

### Options

- Optional Remote Reset
- A choice of 5 housings

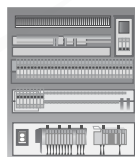
### Applications



Medical Devices



Test Equipment



Control Panels



Production Equipment



Office Equipment

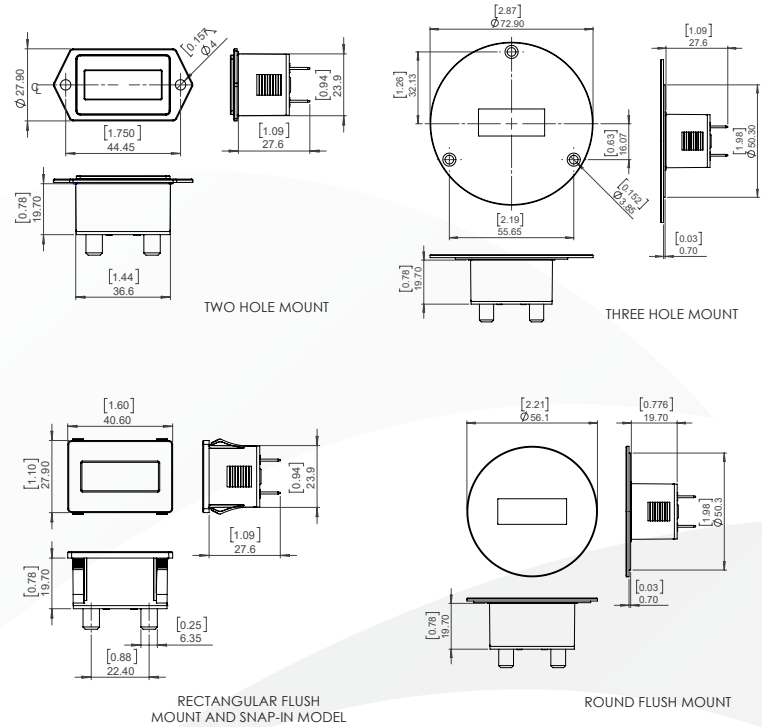


Secondary Equipment

## Specifications

<b>Display</b>	LCD with large 0.28" [7mm] high figures black on light background
<b>Reset</b>	Remote and non-reset.
<b>Accuracy</b>	100% [provided signal meets stated parameters]
<b>Displays</b>	8 digits (99999999)
<b>Max pulse rate</b>	40 pulses per second (Hz)
<b>Inputs</b>	10-300VDC and 20-300VAC - 50/60Hz <2mA VIH 20VAC or 10VDC minimum VIL 3VAC or 3VDC maximum
<b>Power</b>	Self-powered battery life 10+ years
<b>Terminations</b>	Standard 0.250" [6.4mm] spades
<b>Approvals</b>	UL & cUL recognized (file # ELIY2.E36690), CE, UKCA, SAE, NEMA 4/4X/IP66 compliant (not including snap-in models)
<b>Environmental</b>	Operating Temp.: -10°C to +60°C [14°F to +140°F] Storage Temp.: -20°C to +70°C [-4°F to +158°F] Humidity: 95% RH per SAE J1378 Shock: 44 to 55g's per SAE J1378 Dielectric: 1000VAC 50/60 Hz for 1 minute Compliance: to European WEEE and RoHS Directives
<b>Sealing</b>	Totally sealed
<b>EMC Compliance</b>	EN61326
<b>Enclosure</b>	Totally sealed from moisture and dirt. NEMA 4/4X, 12 & IP66 compliant from the front when properly mounted using the optional gasket. (Not applicable in the Snap-In Model)
<b>Weight</b>	1 oz. [28g]

## Dimensions



**Notes:** When interfacing the Model 34 with a Solid State Relay or AC sensor, the leakage current needs to be considered. Exceeding the Absolute Voltage Range and the Absolute Maximum Limits may result in damage to the unit.

## Part Numbers

Part Number	Description	Gasket
3400-0000	AC/DC Counter 2-hole case 1/4" spade terminal non-reset	5003-010
3400-0010	AC/DC Counter 2-hole case 1/4" spade terminal remote-reset	5003-010
3400-1000	AC/DC Counter 3-hole case 1/4" spade terminals non-reset	5003-017
3400-1010	AC/DC Counter 3-hole case 1/4" spade terminals remote-reset <b>**special order**</b> MOQ=50pcs	5003-017
3400-2000	AC/DC Counter flush rectangular case 1/4" spade terminals non-reset <b>**special order**</b> MOQ=50pcs	
3400-2010	AC/DC Counter flush rectangular case 1/4" spade terminals remote-reset	5003-009
3400-3000	AC/DC Counter round SAE case 1/4" spade terminals non-reset <b>**special order**</b> MOQ=50pcs	5003-009
3400-3010	AC/DC Counter round SAE case 1/4" spade terminals remote-reset	5003-009
3400-5000	AC/DC Counter snap-in case 1/4" spade terminals non-reset	
3403-3000	3-30VDC Counter round SAE case 1/4" spade terminals non-reset	
5003-010	NEMA 4X Gasket two hole mount	
5003-017	NEMA 4X Gasket three hole mount	
5003-009	NEMA 4X Gasket flush rectangular and SAE round mount	
3400-0010-EVAL	3400 Evaluation Kit	

