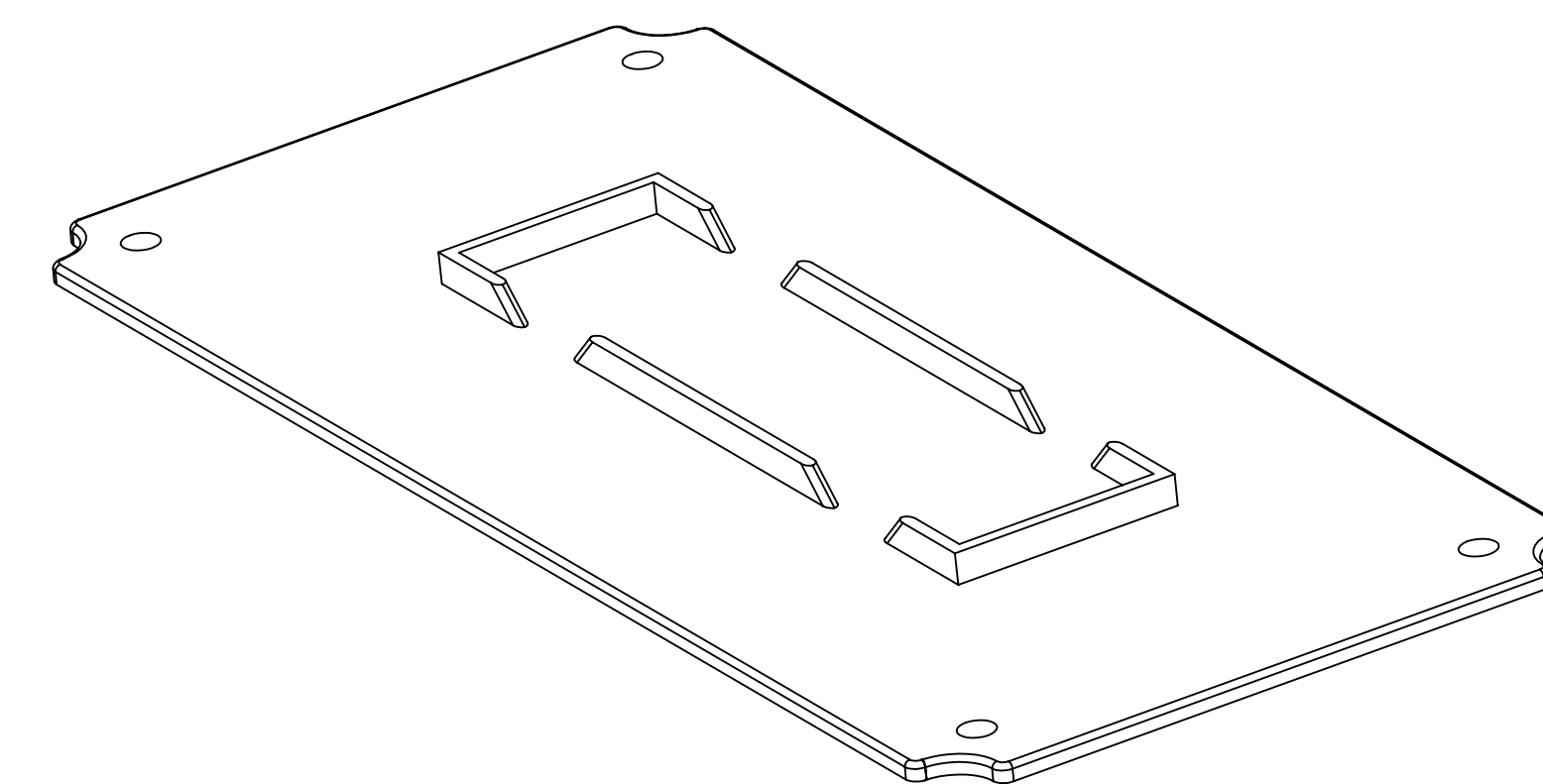
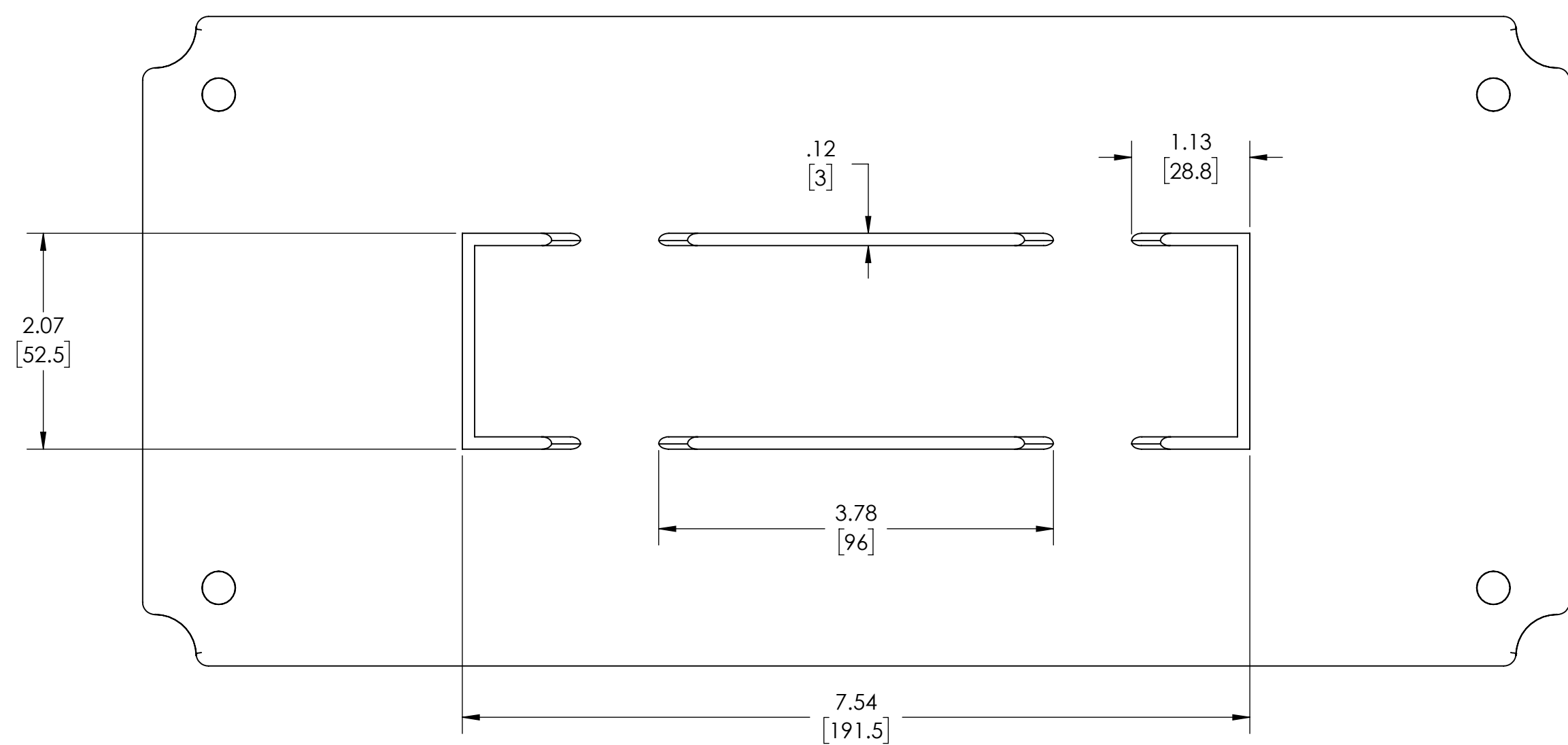
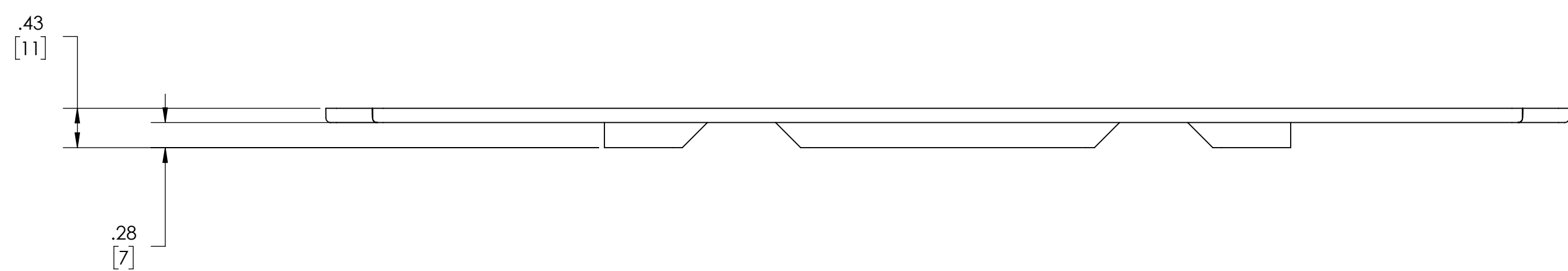
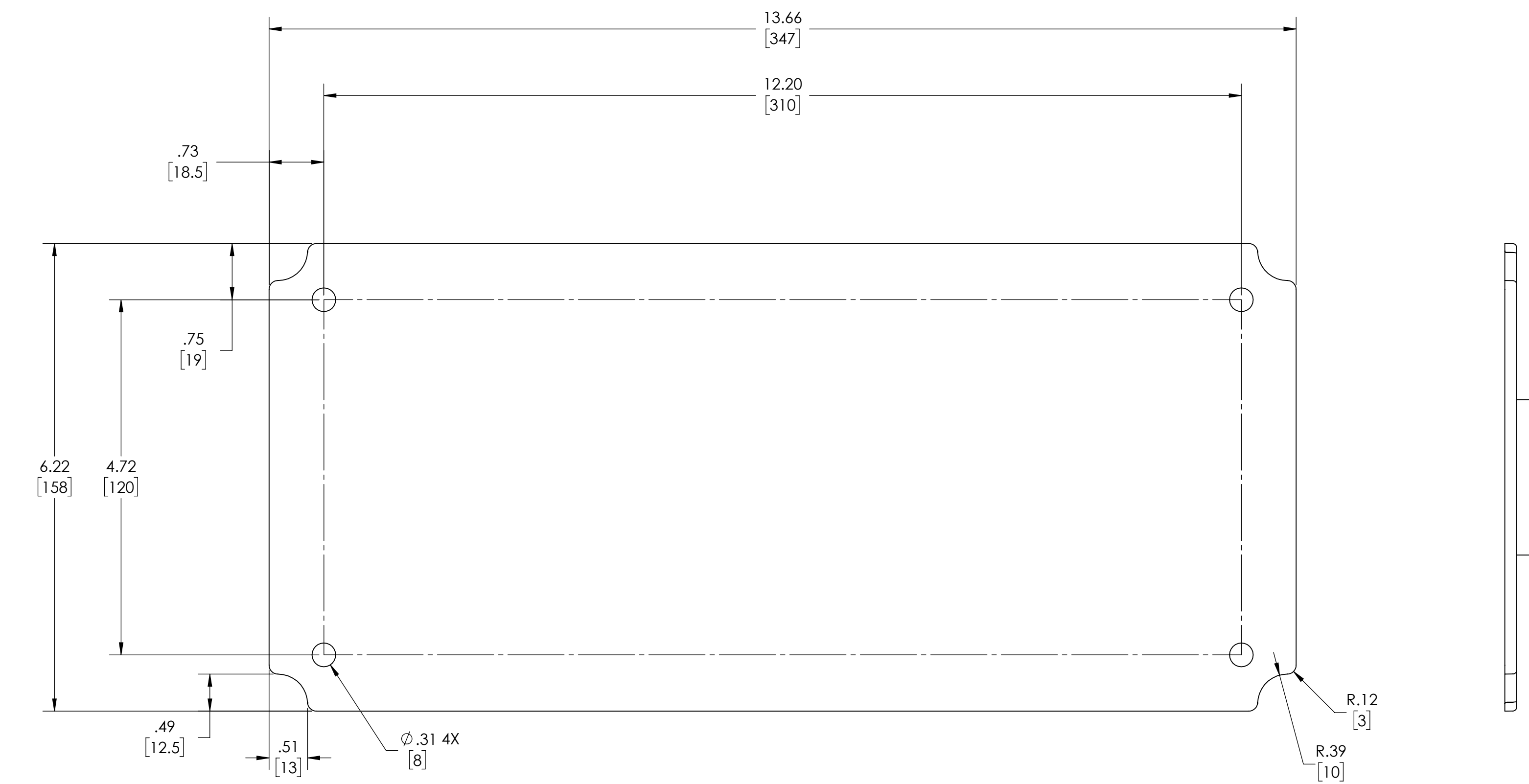


**DRAWING FOR REFERENCE**  
 WE RESERVE THE RIGHT TO MAKE CHANGES TO OUR  
 STANDARD PRODUCTS. PLEASE CONSULT WITH BUD INDUSTRIES  
 PRIOR TO USING THIS DRAWING FOR DESIGN PURPOSE.



MATERIAL - ABS PLASTIC  
 FINISH - LIGHT GRAY  
 DIMENSIONS IN INCH[MM]

PANEL FITS THE FOLLOWING ENCLOSURES:  
 PTH-22448 & PTH-22448-C  
 PTH-22450 & PTH-22450-C  
 PTH-22746-L & PTH-22746-LC