

# QPD T3PE2,5 2X9-14 BK - T distributor



1424048

<https://www.phoenixcontact.com/us/products/1424048>

Please be informed that the data shown in this PDF document is generated from our online catalog. Please find the complete data in the user documentation. Our general terms of use for downloads are valid.



T distributor, QUICKON connection, number of positions: 3+PE, 1 mm<sup>2</sup> ... 2.5 mm<sup>2</sup>, 690 V, 20 A, black, With two QUICKON nuts, external cable diameter: 9 mm ... 14 mm

## Your advantages

- Innovative and time saving - QUICKON fast connection for time saving of up to 80 % for on-site connection
- Robust throughout: housing with IP68/IP69K and IK07 protection for a wide range of applications
- Safer connection with mechanical coding to protect against mismatching, and touch-proof protection in accordance with DIN EN 0105
- Flexible and compact - by connecting connections internally, H and T-distributors can be used to branch master cables or they can be used as star distributors

## Commercial data

Item number	1424048
Packing unit	1 pc
Minimum order quantity	1 pc
Sales key	BF50
Product key	BF6DBB
Catalog page	Page 482 (C-2-2019)
GTIN	4055626366500
Weight per piece (including packing)	157 g
Weight per piece (excluding packing)	153 g
Customs tariff number	85444290
Country of origin	PL

# QPD T3PE2,5 2X9-14 BK - T distributor

1424048

<https://www.phoenixcontact.com/us/products/1424048>

## Technical data

### Product properties

Type	T distributor
Product type	Power distributor
Product family	QPD
Number of positions	4
Connection profile	3+PE
Position marking	1, 2, 3, PE
No. of cable outlets	3
Series	QPD
Coding	Coding profile

### Insulation characteristics

Overvoltage category	III
Degree of pollution	3

### Connection data

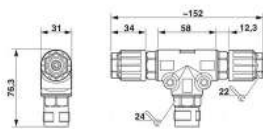
#### Connection technology

Connection technology	QUICKON connection
Connection system, internal	IDC connection
Frequency of connections between conductors of the same cross section	max. 10

#### Conductor connection

Conductor cross section flexibel	1 mm <sup>2</sup> ... 2.5 mm <sup>2</sup>
Conductor cross section solid	1 mm <sup>2</sup> ... 2.5 mm <sup>2</sup>
Connection cross section AWG	16 ... 14
Wrench size, union nut	22 mm
Tightening torque, union nut	7 Nm

### Dimensions

Dimensional drawing	
Width	76.3 mm
Height	31 mm
Length	152 mm
Wrench size, union nut	22 mm

### Electrical properties

Rated surge voltage (II/2)	6 kV
----------------------------	------

# QPD T3PE2,5 2X9-14 BK - T distributor



1424048

<https://www.phoenixcontact.com/us/products/1424048>

Rated surge voltage (III/2)	6 kV
Rated surge voltage (III/3)	6 kV
Rated current	20 A
Contact resistance	< 3 mΩ
rated voltage (II/2)	1000 V
rated voltage (III/2)	690 V
Rated voltage (III/3)	690 V
Nominal voltage $U_N$	690 V AC 690 V DC
Nominal current $I_N$	20 A

## Mechanical properties

### Mechanical data

Insertion/withdrawal cycles	max. 50
-----------------------------	---------

## Material specifications

Material	PA
Flammability rating according to UL 94	V0
Contact material	Cu
Contact surface material	silver-plated
Contact carrier material	PA

## Cable/line

Structure of individual litz in acc. with VDE 0295 / smallest wire diameter	VDE 0295 class 1 to 6/min. 0.15 mm
External cable diameter ( )	9 mm ... 14 mm
Wire diameter including insulation	2 mm ... 3.6 mm
Position marking	1, 2, 3, PE
Material wire insulation	PVC / PE / rubber / TPE
Halogen-free	yes

## Environmental and real-life conditions

### Ambient conditions

Degree of protection	IP66 IP68 (2 m / 24 h) IP69K (Distance from the nozzle 150 mm)
Ambient temperature (operation)	-40 °C ... 100 °C
Temperature when conductor connected	-5 °C ... 50 °C
Ambient temperature (storage/transport)	-40 °C ... 100 °C

# QPD T3PE2,5 2X9-14 BK - T distributor

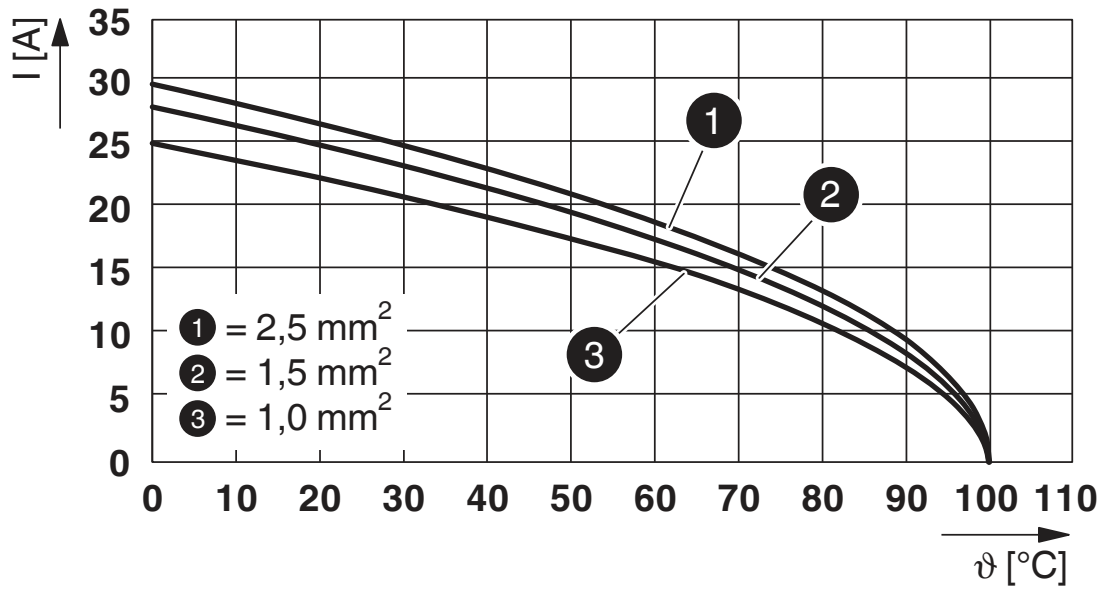


1424048

<https://www.phoenixcontact.com/us/products/1424048>

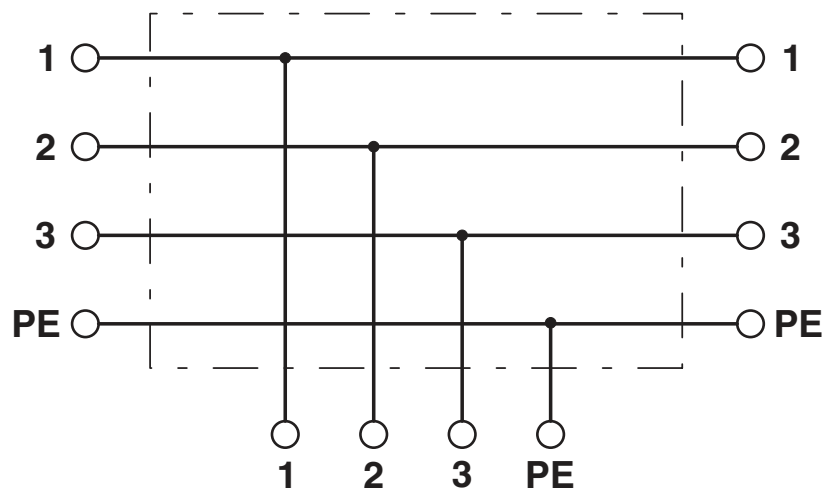
## Drawings

Diagram



Derating diagram

Circuit diagram



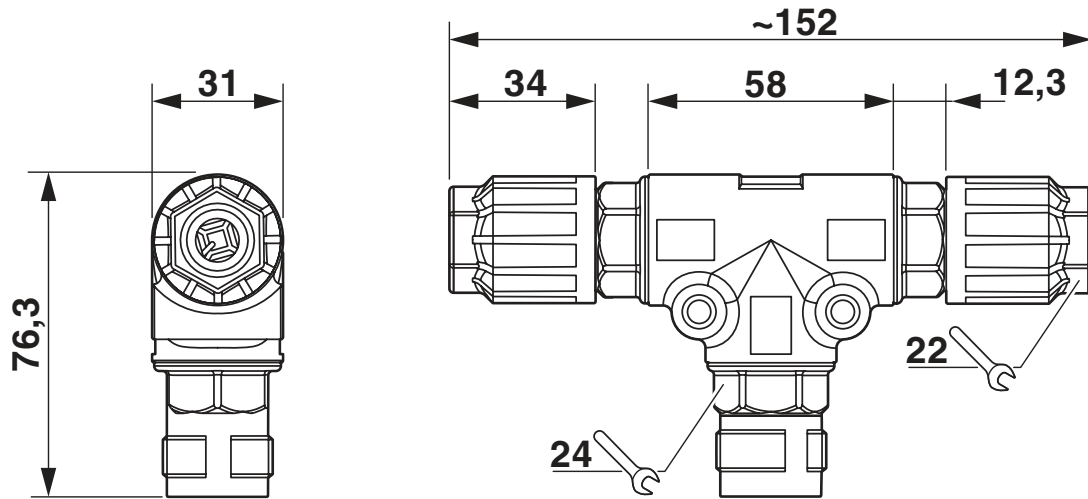
# QPD T3PE2,5 2X9-14 BK - T distributor



1424048

<https://www.phoenixcontact.com/us/products/1424048>

Dimensional drawing



Dimensional drawing

# QPD T3PE2,5 2X9-14 BK - T distributor



1424048

<https://www.phoenixcontact.com/us/products/1424048>

## Approvals

To download certificates, visit the product detail page: <https://www.phoenixcontact.com/us/products/1424048>



**IECEE CB Scheme**  
Approval ID: DE1-65875



**EAC**  
Approval ID: RU C-DE.BL08.B.00511



**VDE Zeichengenehmigung**  
Approval ID: 40029149



**UL Listed**  
Approval ID: E468743

	Nominal voltage $U_N$	Nominal current $I_N$	Cross section AWG	Cross section $\text{mm}^2$
	600 V	15 A	-	- 14



**cUL Listed**  
Approval ID: E468743

	Nominal voltage $U_N$	Nominal current $I_N$	Cross section AWG	Cross section $\text{mm}^2$
	600 V	15 A	- 14	-

**cULus Listed**

# QPD T3PE2,5 2X9-14 BK - T distributor



1424048

<https://www.phoenixcontact.com/us/products/1424048>

## Classifications

### ECLASS

ECLASS-11.0	27440603
ECLASS-12.0	27440603
ECLASS-13.0	27440603

### ETIM

ETIM 8.0	EC002567
----------	----------

### UNSPSC

UNSPSC 21.0	39121400
-------------	----------

# QPD T3PE2,5 2X9-14 BK - T distributor



1424048

<https://www.phoenixcontact.com/us/products/1424048>

## Environmental product compliance

China RoHS	Environmentally friendly use period: unlimited = EFUP-e
	No hazardous substances above threshold values



# QPD T3PE2,5 2X9-14 BK - T distributor

1424048

<https://www.phoenixcontact.com/us/products/1424048>

## Mandatory accessories

### QPD P3PE2,5 9-14 BK - Connector

1423988

<https://www.phoenixcontact.com/us/products/1423988>



Connector, QUICKON connection, number of positions: 3+PE, 1 mm<sup>2</sup> ... 2.5 mm<sup>2</sup>, 690 V, 20 A, black, with QUICKON nut, external cable diameter: 9 mm ... 14 mm

---

### QPD N2,5 9-14 BK - Nut

1423994

<https://www.phoenixcontact.com/us/products/1423994>



Nut, QUICKON connection, 1 mm<sup>2</sup> ... 2.5 mm<sup>2</sup>, 690 V, 20 A, black, external cable diameter: 9 mm ... 14 mm

---

## Accessories

## QPD T3PE2,5 2X9-14 BK - T distributor

1424048

<https://www.phoenixcontact.com/us/products/1424048>



### CP QPD 4X2,5 - Coding profile

1425950

<https://www.phoenixcontact.com/us/products/1425950>



Coding profile red, for pushing into the QUICKON dome and connector, can be positioned in 90° steps.

---

### QPD QSK 5X1,5 - Protective cap

1414758

<https://www.phoenixcontact.com/us/products/1414758>



Protective cap plastic, for QPD-QUICKON connection 5x 1.5 mm<sup>2</sup>, IP50

## QPD T3PE2,5 2X9-14 BK - T distributor

1424048

<https://www.phoenixcontact.com/us/products/1424048>



## QPD QSK BK 5X1,5 FS - Protective cap

1414728

<https://www.phoenixcontact.com/us/products/1414728>

Protective cap, plastic, for QUICKON connection, black, with retaining cord, IP68



---

## QPD W3PE2,5 9-14 M25 0,5 BK - Panel feed-through

1423980

<https://www.phoenixcontact.com/us/products/1423980>



Panel feed-through, QUICKON connection, number of positions: 3+PE, 1 mm<sup>2</sup> ... 2.5 mm<sup>2</sup>, 690 V, 20 A, black, with QUICKON nut, external cable diameter: 9 mm ... 14 mm, assembly thread: M25, IDC connection (welded-on), 2.5 mm<sup>2</sup>, wires cut flat at the end, cable length: 0.5 m

## QPD T3PE2,5 2X9-14 BK - T distributor

1424048

<https://www.phoenixcontact.com/us/products/1424048>



## QPD W3PE2,5 9-14 M25 1,0 BK - Panel feed-through

1423979

<https://www.phoenixcontact.com/us/products/1423979>



Panel feed-through, QUICKON connection, number of positions: 3+PE, 1 mm<sup>2</sup> ... 2.5 mm<sup>2</sup>, 690 V, 20 A, black, with QUICKON nut, external cable diameter: 9 mm ... 14 mm, assembly thread: M25, IDC connection (welded-on), 2.5 mm<sup>2</sup>, wires cut flat at the end, cable length: 1 m

---

## QPD W3PE2,5 9-14 M25 FC BK - Panel feed-through

1423981

<https://www.phoenixcontact.com/us/products/1423981>



Panel feed-through, QUICKON connection, number of positions: 3+PE, 1 mm<sup>2</sup> ... 2.5 mm<sup>2</sup>, 690 V, 20 A, black, with QUICKON nut, external cable diameter: 9 mm ... 14 mm, assembly thread: M25, Spade connection, 2.5 mm<sup>2</sup>

## QPD T3PE2,5 2X9-14 BK - T distributor

1424048

<https://www.phoenixcontact.com/us/products/1424048>



## QPD W3PE2,5 9-14 M25 DT BK - Panel feed-through

1423982

<https://www.phoenixcontact.com/us/products/1423982>



Panel feed-through, QUICKON connection, number of positions: 3+PE, 1 mm<sup>2</sup> ... 2.5 mm<sup>2</sup>, 400 V, 20 A, black, with QUICKON nut, external cable diameter: 9 mm ... 14 mm, assembly thread: M25, Push-in connection, 2.5 mm<sup>2</sup>

---

## QPD C3PE2,5 1X9-14 BK - Conductor connectors

1423992

<https://www.phoenixcontact.com/us/products/1423992>



Conductor connectors, QUICKON connection, number of positions: 3+PE, 1 mm<sup>2</sup> ... 2.5 mm<sup>2</sup>, 690 V, 20 A, black, with one QUICKON nut, external cable diameter: 9 mm ... 14 mm, QUICKON fast connection

## QPD T3PE2,5 2X9-14 BK - T distributor

1424048

<https://www.phoenixcontact.com/us/products/1424048>



## QPD C3PE2,5 2X9-14 BK - Conductor connectors

1423990

<https://www.phoenixcontact.com/us/products/1423990>



Conductor connectors, QUICKON connection, number of positions: 3+PE, 1 mm<sup>2</sup> ... 2.5 mm<sup>2</sup>, 690 V, 20 A, black, With two QUICKON nuts, external cable diameter: 9 mm ... 14 mm, QUICKON fast connection

---

## QPD T3PE2,5 3X9-14 BK - T distributor

1424046

<https://www.phoenixcontact.com/us/products/1424046>



T distributor, QUICKON connection, number of positions: 3+PE, 1 mm<sup>2</sup> ... 2.5 mm<sup>2</sup>, 690 V, 20 A, black, With three QUICKON nuts, external cable diameter: 9 mm ... 14 mm

## QPD T3PE2,5 2X9-14 BK - T distributor

1424048

<https://www.phoenixcontact.com/us/products/1424048>



## QPD H3PE2,5 4X9-14 BK - H distributor

1423972

<https://www.phoenixcontact.com/us/products/1423972>



H distributor, QUICKON connection, number of positions: 3+PE, 1 mm<sup>2</sup> ... 2.5 mm<sup>2</sup>, 690 V, 20 A, black, with four QUICKON nuts, external cable diameter: 9 mm ... 14 mm

---

## QSS 22 - Socket wrench

1670206

<https://www.phoenixcontact.com/us/products/1670206>



Allen wrench, for loosening and fastening the QUICKON union nut, WAF 22 mm

---

Phoenix Contact 2023 © - all rights reserved  
<https://www.phoenixcontact.com>

Phoenix Contact USA  
586 Fulling Mill Road  
Middletown, PA 17057, United States  
(+717) 944-1300  
[info@phoenixcon.com](mailto:info@phoenixcon.com)