

MATERIAL NO.	ENGINEERING NO.	FINISHED LENGTH
1300080211	302001A01F030	3 FT. (0.91 M)
1300080212	302001A01F060	6 FT. (1.82 M)
1300080215	302001A01F120	12 FT. (3.66 M)
1300080218	302001A01F200	20 FT. (6.10 M)

CABLE LENGTH TOLERANCES

<.3M [1FT]: +19mm-0 [+.75in-0]

.3 - .9M [1 - 3FT]: +44.5mm-0 [+1.75in-0]

.9 - 1.8M [3 - 6FT]: +55.6mm-0 [+2.19in-0]

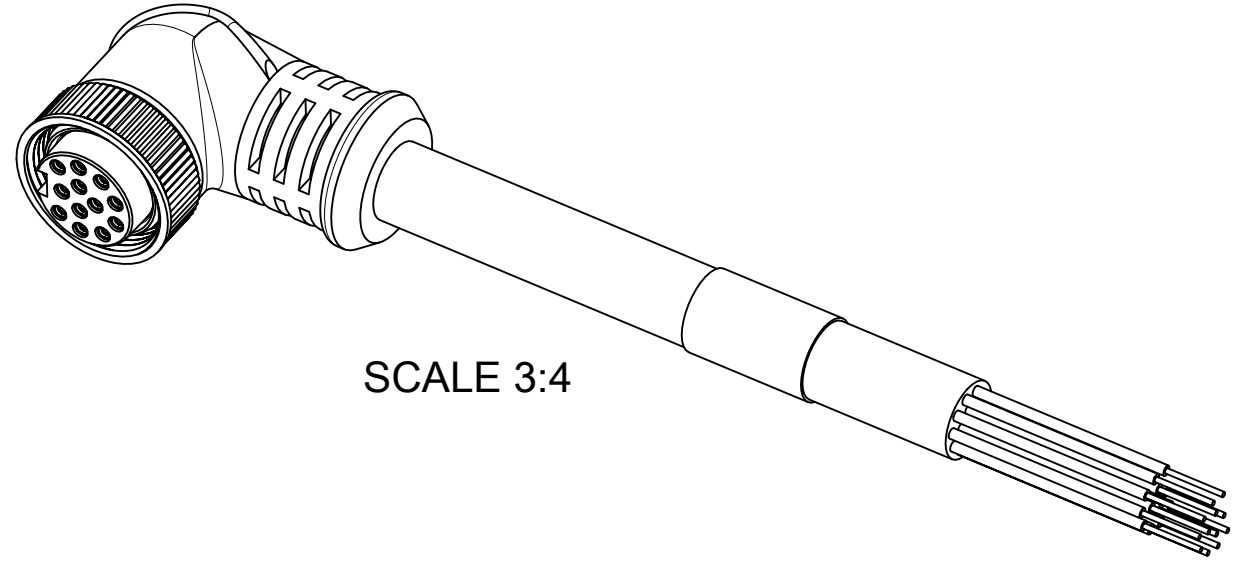
1.8 - 3.7M [6 - 12FT]: +88.9mm-0 [+3.50in-0]

3.7 - 7.3M [12 - 24FT]: +165.1mm-0 [+6.50in-0]

7.3-14.6M [24 - 48FT]: +317.5mm-0 [+12.50in-0]

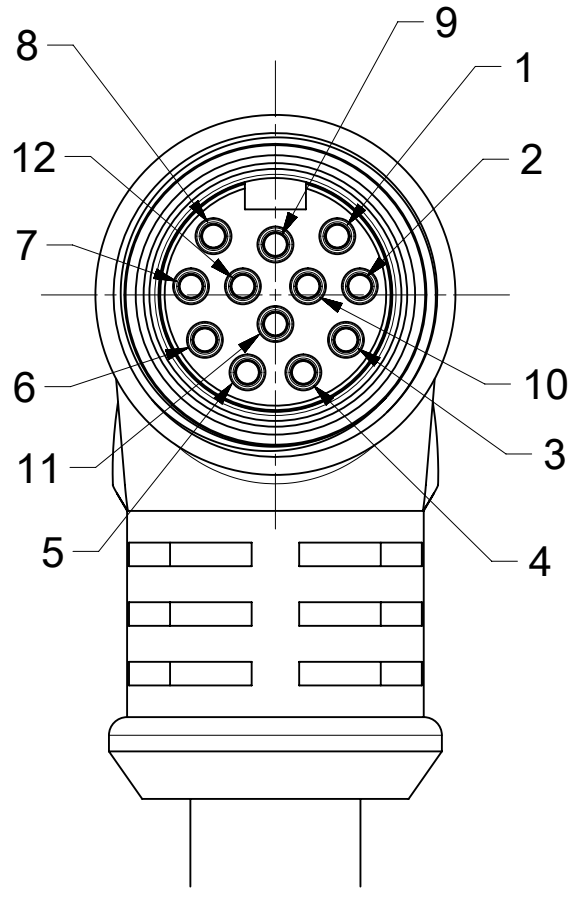
14.6 - 30.5M [48-100FT]: +622.3mm-0 [+24.50in-0]

OVER 30M [100FT] +2% OF FINISHED LENGTH



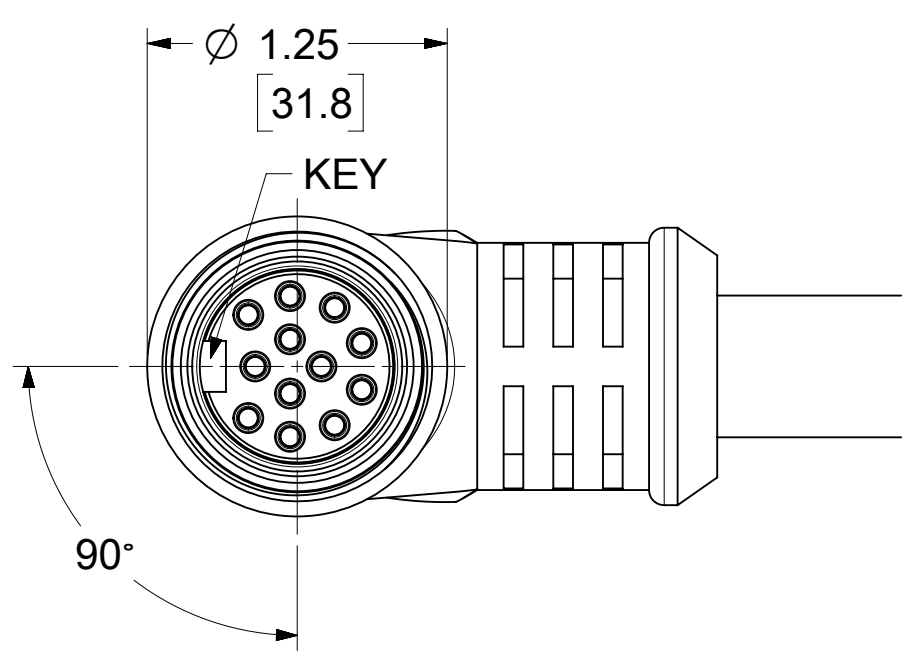
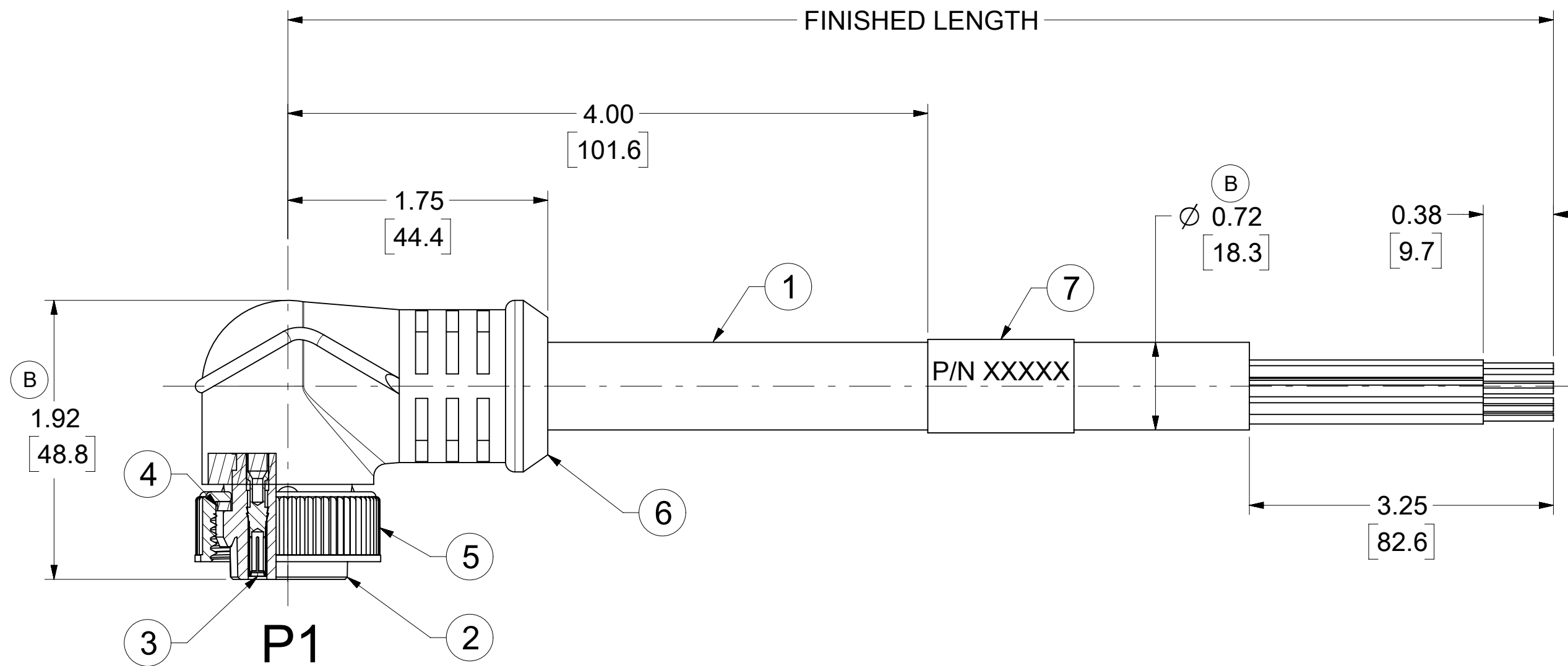
WIRING DIAGRAM

- P1
- 1 ORANGE
- 2 BLUE
- 3 WHITE/BLACK TRACE
- 4 RED/BLACK TRACE
- 5 GREEN/BLACK TRACE
- 6 ORANGE/BLACK TRACE
- 7 BLUE/BLACK TRACE
- 8 BLACK/WHITE TRACE
- 9 GREEN/YELLOW GND
- 10 RED
- 11 WHITE
- 12 BLACK



FEMALE FACE VIEW
SCALE 3:2

- NOTES:**
- MATERIAL: AS NOTED
 - FINISH: AS NOTED
 - ELECTRICAL:
VOLTAGE: 320V PER IEC60664
600V PER UL2238
CURRENT: 5A
 - TEMP RATING: -20°C TO +105°C
 - PROTECTION: IP67 (WHEN MATED)
 - CSA CERTIFIED FILE: LR6837
 - UL RECOGNIZED FILE: E152210
 - COUPLING THREAD: 1 1/8"-16UN
 - ASSEMBLY IS ROHS COMPLIANT
 - ALL DIMS ARE FOR REFERENCE UNLESS TOLERANCED OR NOTED OTHERWISE



PART NUMBER MATRIX

302001A01F030

FINISHED LENGTH
F001= .1 FT
F020= 2 FT
F200= 20 FT

ITEM	DESCRIPTION	MATERIAL	FINISH
7	LABEL	VINYL	BLACK/YELLOW
6	OVERMOLD	TPE	YELLOW
5	COUPLING NUT	ZINC DIE CAST	BLACK E-COAT
4	FRICTION RING	NYLON	NATURAL
3	SOCKET CONTACT	Cu ALLOY	GOLD OVER NICKEL
2	FEMALE INSERT	TPE	YELLOW
1	#16-12 CABLE, STOOV/ST	PVC JACKET	YELLOW
ITEM	DESCRIPTION	MATERIAL	FINISH

DOCUMENT STATUS	P1	RELEASE DATE	2021/08/27 14:24:19
-----------------	----	--------------	---------------------

THIS DRAWING CONTAINS INFORMATION THAT IS PROPRIETARY TO MOLEX ELECTRONIC TECHNOLOGIES, LLC AND SHOULD NOT BE USED WITHOUT WRITTEN PERMISSION

DIMENSION UNITS	SCALE	CURRENT REV DESC: UPDATED ITEM #2.6,7, OVM & LABEL DIM. AND MATERIAL P/N TABLE. ADDED CSA, UL, IEC VOLT, TEMP RATING, IP RATING, TOL. CHART, PART NUMBER MATRIX AND CABLE DIA.			
INCH/MM	1.25:1				
GENERAL TOLERANCES (UNLESS SPECIFIED)			MINI-CHANGE CORDSET, C SIZE 12 POLE, FEMALE, R/A, SINGLE KEY, 16AWG		
4 PLACES	±	±	PRODUCT CUSTOMER DRAWING		
3 PLACES	±	±	DOCUMENT NUMBER		
2 PLACES	±	±	DOC TYPE DOC PART REVISION		
1 PLACE	±	±	SD-130008-017 PSD 001 B		
0 PLACES	±	±	MATERIAL NUMBER CUSTOMER		
ANGULAR TOL	± 0.5 °		SEE TABLE GENERAL MARKET		
DRAFT WHERE APPLICABLE MUST REMAIN WITHIN DIMENSIONS	THIRD ANGLE PROJECTION	DRAWING	SERIES	SHEET NUMBER	
		C-SIZE	130008	1 OF 1	