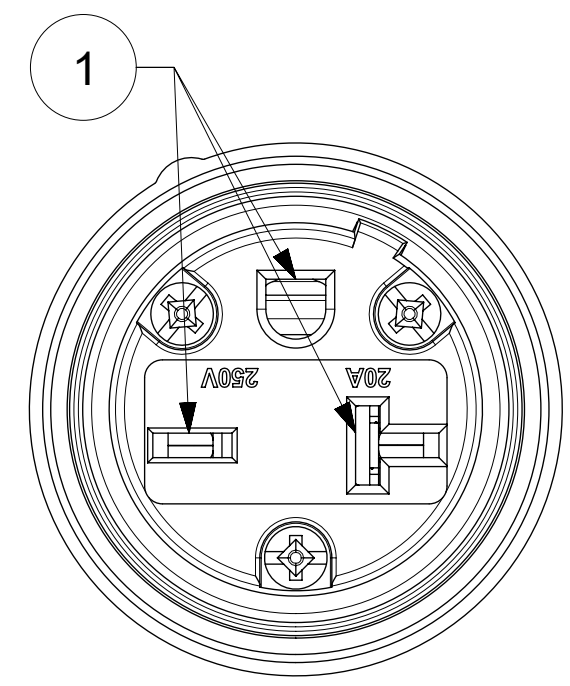
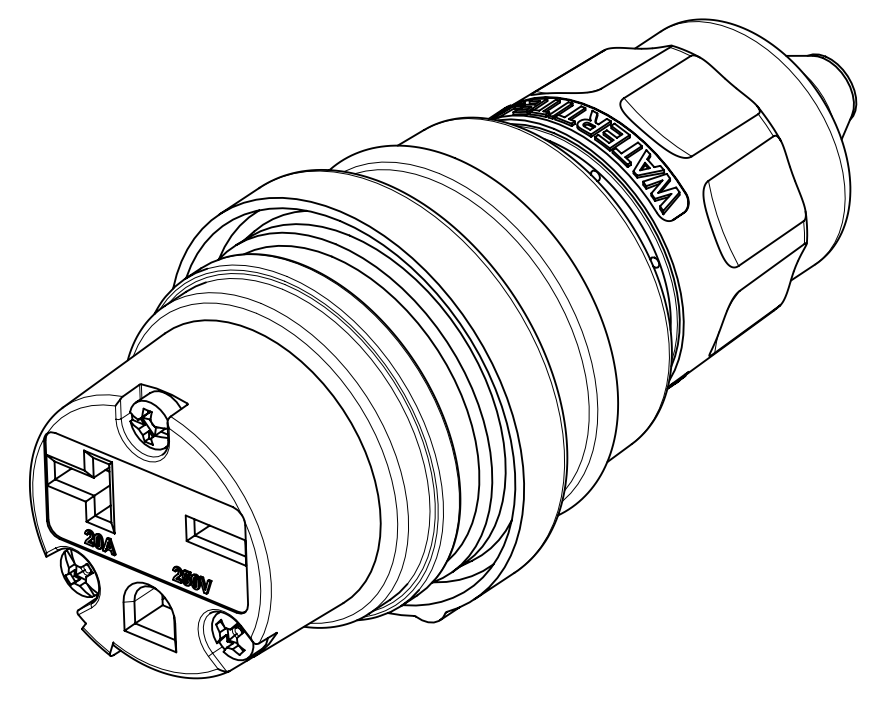
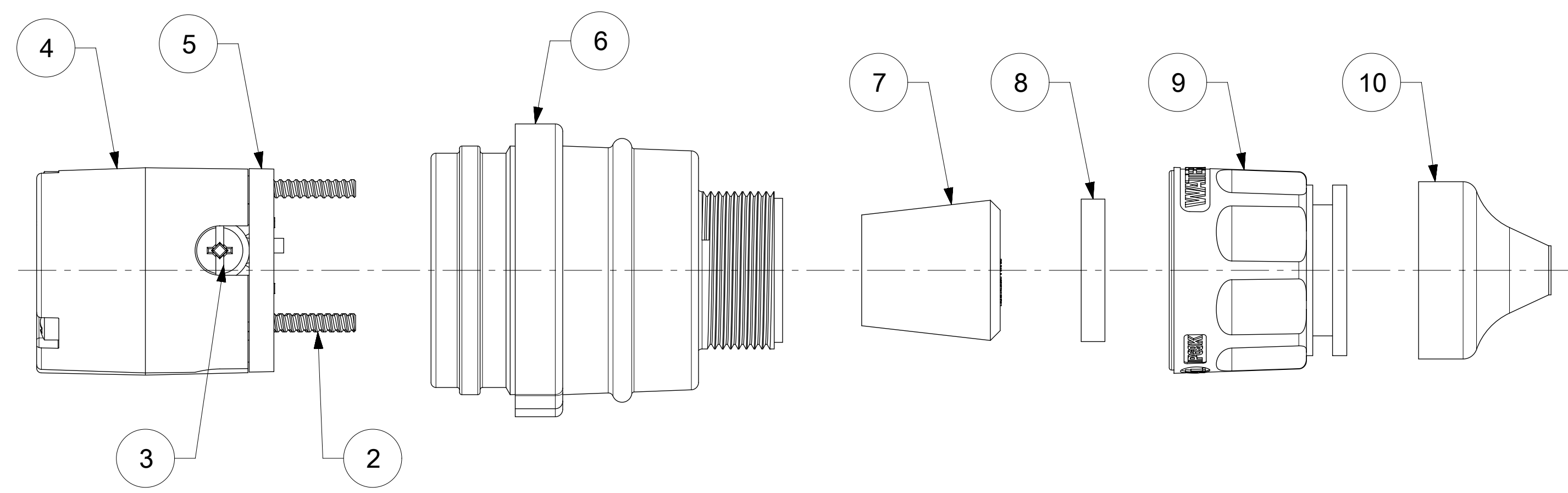
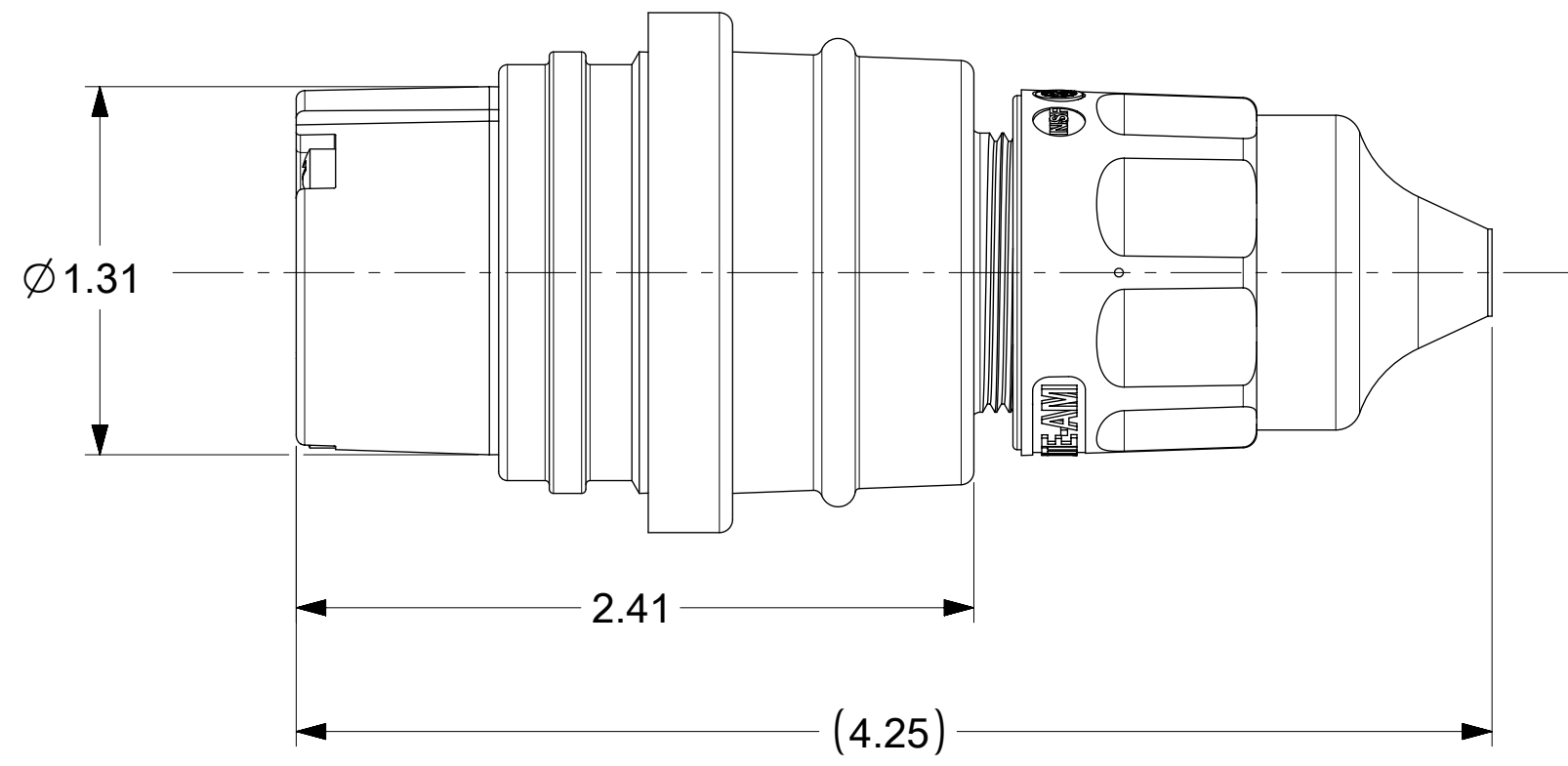


ORDER NO.	WOODHEAD NO.	COLOR
130146-0072	15W48MB	YELLOW



**FACE VIEW**



**NOTES:**  
 1. SEE INSTRUCTION SHEET NUMBER 1301414770 FOR PRODUCT SPECIFICATION.  
 2. CABLE RANGE FROM 0.375" TO 0.625"

ITEM NO.	DESCRIPTIONS	MATERIAL	QTY.
1	BLADES	BRASS	3
2	RETAINING SCREWS	STAINLESS STEEL	3
3	TERMINAL SCREWS	BRASS, ZINC PLATED	3
4	INSERT	NYLON	1
5	TERMINAL COVER	POLYCARBONATE	1
6	HOUSING	SILICONE WITH NYLON THREAD	1
7	GROMMETS	RUBBER	5
8	FRICTION RING	NYLON	1
9	COMPRESSION NUT	NYLON	1
10	CABLE GLOVE	SILICONE	1

DOCUMENT STATUS	P1	RELEASE DATE	2020/05/22	15:38:12
-----------------	----	--------------	------------	----------

THIS DRAWING CONTAINS INFORMATION THAT IS PROPRIETARY TO MOLEX ELECTRONIC TECHNOLOGIES, LLC AND SHOULD NOT BE USED WITHOUT WRITTEN PERMISSION			
DIMENSION UNITS	SCALE	CURRENT REV/DESC: RELEASED.	
INCH	NTS	 <b>WATERTITE CONNECTOR, 6-20R</b> PRODUCT CUSTOMER DRAWING	
GENERAL TOLERANCES (UNLESS SPECIFIED)			
ANGULAR TOL	± 0.5°		
4 PLACES	±		
3 PLACES	± 0.005		
2 PLACES	± 0.01	EC NO: 615397	2019/03/13
1 PLACE	± 0.02	DRWN: VHANDI	2019/03/18
0 PLACES	±	CHK'D: DNGUYEN62	2020/05/22
DRAFT WHERE APPLICABLE MUST REMAIN WITHIN DIMENSIONS		APPR: HKNEELAND	2019/02/18
THIRD ANGLE PROJECTION		INITIAL REVISION:	
DRAWING		DRWN: NVELUSAMY	2018/10/29
SERIES		APPR: HKNEELAND	2019/02/18
C-SIZE		130146	
MATERIAL NUMBER		CUSTOMER	SHEET NUMBER
SEE TABLE		GENERAL MARKET	1 OF 1
DOCUMENT NUMBER		DOC TYPE	DOC PART
1301460072		PSD	000
			A1